

Part number

MHV 16 LG32



Hood, C-TYPE series, with 1 lever, M32 top cable entry, size "77.27"

Product description

Product type	Hood
Series	C-TYPE
Closing type	With 1 lever
Size	Size "77.27"
Cable entry	Top cable entry M32

Technical data

IP degree of protection	IP66 (and IP69 DIN 40050 - 9)
--------------------------------	-------------------------------

Further technical details

Weight	2,20 g
Operating temperature range (min, max)	-40°C...+125°C

Material properties

Colour	RAL 7040 grey
RoHs conformity	Compliant
China RoHs - EFUP	E
REACH SVHC substances	No

Approvals / Standards

Certifications	DNV-GL, BV
UL	ECBT2
cUL	ECBT8

General ordering information

EAN13 code	8015747055819
eCl@ss 8.1	27440202
ETIM 7.0	EC000437

Packaging Information

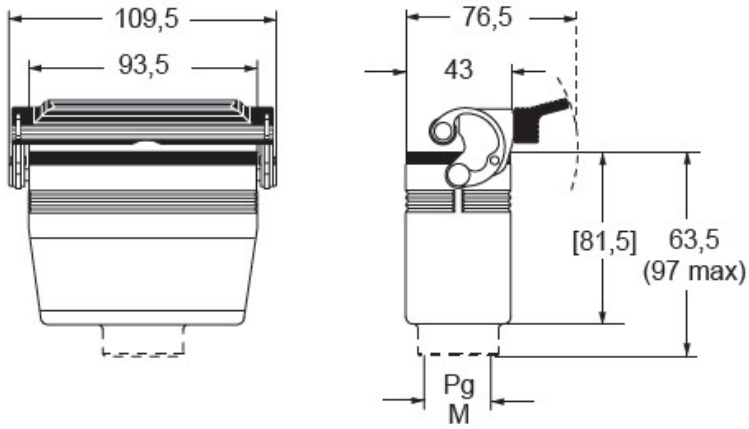
Packaging length	255,00 mm
Packaging height	150,00 mm
Packaging width	180,00 mm
Packaging weight	2,25 kg
Packaging volume	6,89 dm ³
Packaging description	Carton box
Packaging quantity	10 Pcs
Packaging EAN code	8015747055826
Sub-packaging weight	1,13 kg
Sub-packaging description	Plastic packaging
Sub-packaging quantity	5 Pcs
Sub-packaging EAN barcode	8015747055833

Part number

MHV 16 LG32



Catalogue drawings



Notes

Dimensions shown in mm are not binding and may be changed without notice.
