

Part number

MKA VA20



Hood, CKA series, with 2 pegs, M20 side cable entry, size "21.21"

Product description		Material properties	
Product type	Hood	Colour	RAL 7040 grey
Series	CKA	RoHs conformity	Compliant
Closing type	With 2 pegs	China RoHs - EFUP	E
Size	Size "21.21"	REACH SVHC substances	No
Cable entry	Side cable entry M20		
Technical data		Approvals / Standards	
IP degree of protection	IP44 (IP66/IP67/IP69 with CKR 65/CKR 65 D kits)	UL	ECBT2
		cUL	ECBT8
Further technical details		General ordering information	
Weight	62,00 g	EAN13 code	8015747056786
Operating temperature range (min, max)	-40°C...+125°C	eCl@ss 8.1	27440202
		ETIM 7.0	EC000437
		Packaging Information	
		Packaging length	330,00 mm
		Packaging height	230,00 mm
		Packaging width	205,00 mm
		Packaging volume	15,56 dm ³
		Packaging description	Carton box
		Packaging quantity	100 Pcs
		Packaging EAN code	8015747264266
		Sub-packaging length	185,00 mm
		Sub-packaging height	40,00 mm
		Sub-packaging width	155,00 mm
		Sub-packaging volume	1,15 dm ³
		Sub-packaging description	Carton box
		Sub-packaging quantity	10 Pcs
		Sub-packaging EAN barcode	8015747056793

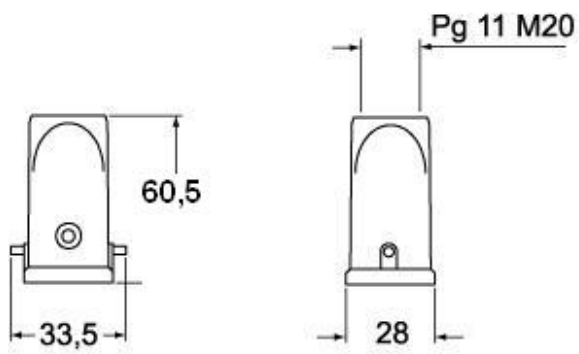
Part number

MKA VA20

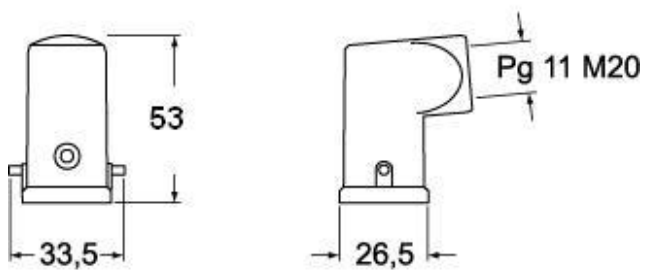


Catalogue drawings

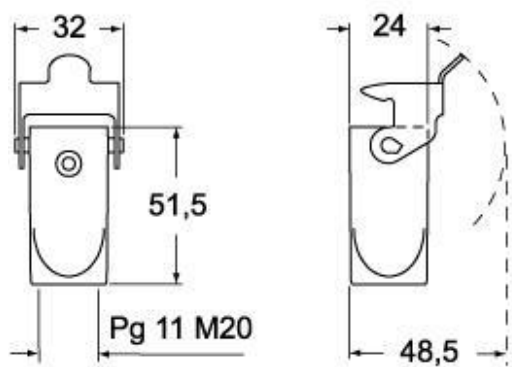
CKA VS - MKA V



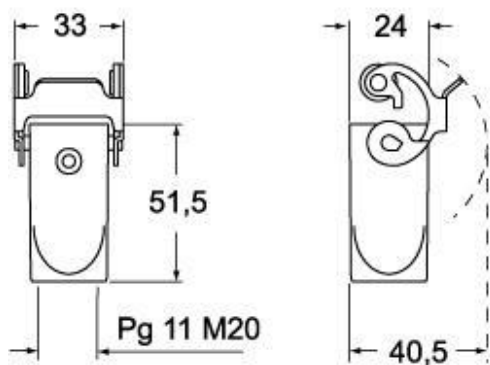
CKA VAS - MKA VA



CKA VAS - MKA VA



CKAX VGS - MKAX VG



Notes

Dimensions shown in mm are not binding and may be changed without notice.
