

6

5

4

3

2

1

D

D

C

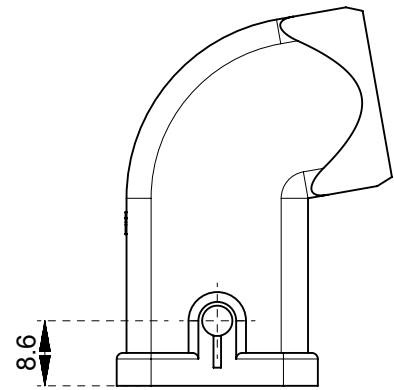
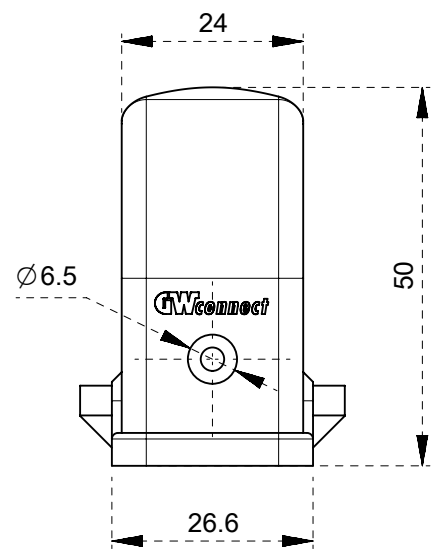
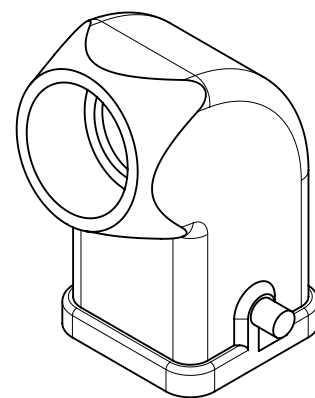
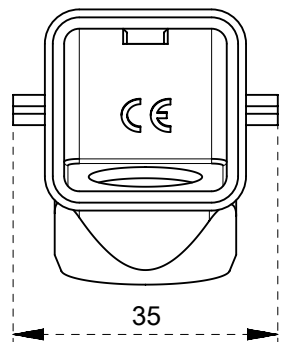
C

B

B

A

A



TECHNICAL CHARACTERISTICS CARATTERISTICHE TECNICHE	
Type STD Tipo STD	For standard application Per applicazioni standard
IP protection degree IP grado di protezione	IP66/IP67 with gasket on the screw IP66/IP67 con guarizione sulla vite
Working voltage Tensione nominale	500 V
Thread entry Filettatura ingresso	M20 M20

TOLL.GENERALI-ISO 2768-2/F THIS DRAWING CONTAINS INFORMATION THAT IS PROPRIETARY TO MOLEX ELECTRONIC TECHNOLOGIES, LLC AND SHOULD NOT BE USED WITHOUT WRITTEN PERMISSION

TOLL.GENERALI-ISO 2768-2/F Tolerances unless otherwise stated	
DIM./Dim.	TOL./Tol.
0.5+3	± 0.05
3+6	± 0.05
6+30	± 0.1
30+120	± 0.15
120+400	± 0.2
DIM. ANGOLARI Angular dimensions	
<10	± 1°
10+50	± 0°30'
50+120	± 0°20'
120+400	± 0°10'

2017/11/09 2017/11/13 2017/11/14	GENERAL TOLERANCES (UNLESS SPECIFIED) [SEE CHART] ANGULAR TOL ±
2017/11/09 2017/11/13 2017/11/14	4 PLACES ±
	3 PLACES ±
	2 PLACES ±
	1 PLACE ±
	0 PLACES ±
DRAFT WHERE APPLICABLE MUST REMAIN WITHIN DIMENSIONS	

DIMENSION UNITS mm	SCALE 1:1
DRWN BY AKHEMIRI	DATE 2017/11/09
CHK'D BY DMERONI	DATE 2017/11/13
APPR BY AMELZI	DATE 2017/11/14
DRAWING SIZE A4	FIRST ANGLE PROJECTION

<b>molex</b>		
7803.6209.0 3A STANDARD NYLON HOOD 2 PEGS SIDE ENTRY PG11 GREY		
PRODUCT CUSTOMER DRAWING		
SERIES 93601	MATERIAL NUMBER 936010685	CUSTOMER GENERAL MARKET
DOCUMENT NUMBER 936010637	DOC TYPE PSD	DOC PART 000
		SHEET NUMBER 1 OF 2

RELEASE STATUS P1	RELEASE DATE 14.11.2017	14:53:33
----------------------	----------------------------	----------

6

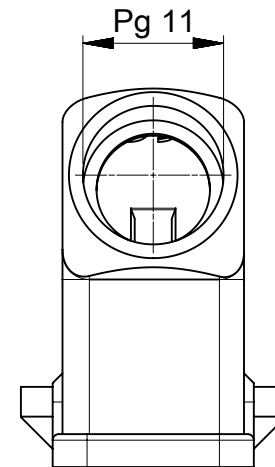
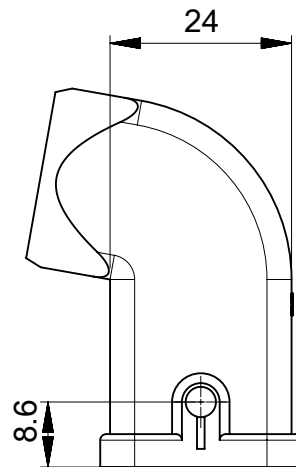
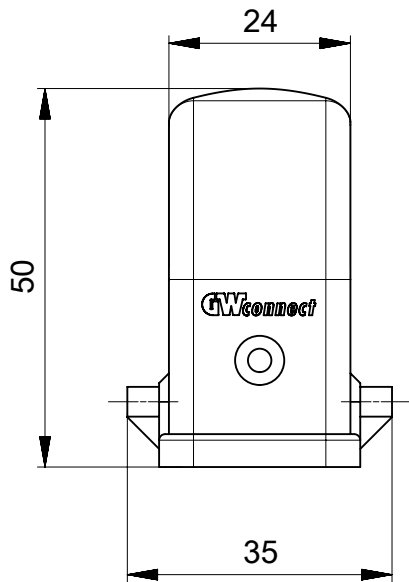
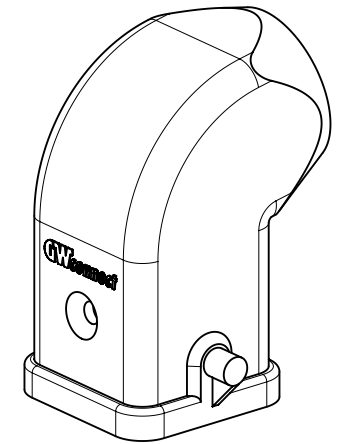
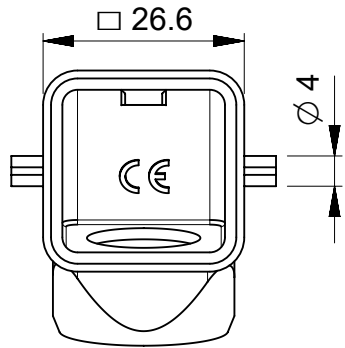
5

4

3

2

1



THIS DRAWING CONTAINS INFORMATION THAT IS PROPRIETARY TO MOLEX ELECTRONIC TECHNOLOGIES, LLC AND SHOULD NOT BE USED WITHOUT WRITTEN PERMISSION

EC NO: 168065 DRWN: AKHEMIRI CHK'D: DMERONI REV 1 APPR: AMELZI	2017/11/09	GENERAL TOLERANCES (UNLESS SPECIFIED)  ANGULAR TOL ± ° 4 PLACES ± 3 PLACES ± 2 PLACES ± 1 PLACE ± 0 PLACES ±  DRAFT WHERE APPLICABLE MUST REMAIN WITHIN DIMENSIONS	DIMENSION UNITS	SCALE				
	2017/11/13		mm	1:1				
	2017/11/14		DRWN BY	DATE		7803.6209.0		
			AKHEMIRI	2017/11/09		3A STANDARD NYLON HOOD 2 PEGS SIDE ENTRY PG11 GREY		
			CHK'D BY	DATE				
			DMERONI	2017/11/13				
			APPR BY	DATE		PRODUCT CUSTOMER DRAWING		
	AMELZI	2017/11/14						
			DRAWING SIZE	FIRST ANGLE PROJECTION	SERIES	MATERIAL NUMBER	CUSTOMER	
			A4		93601	936010637	GENERAL MARKET	
					DOCUMENT NUMBER	DOC TYPE	DOC PART	SHEET NUMBER
					936010637	PSD	000	2 OF 2

RELEASE STATUS P1 RELEASE DATE 14.11.2017 14:53:33