

6

5

4

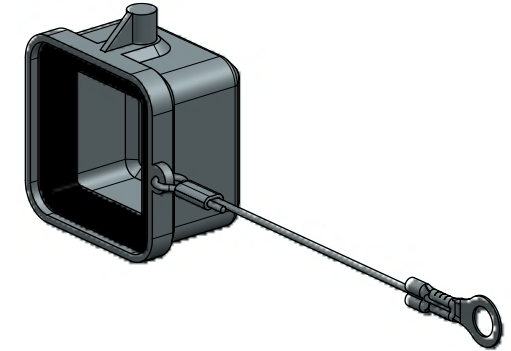
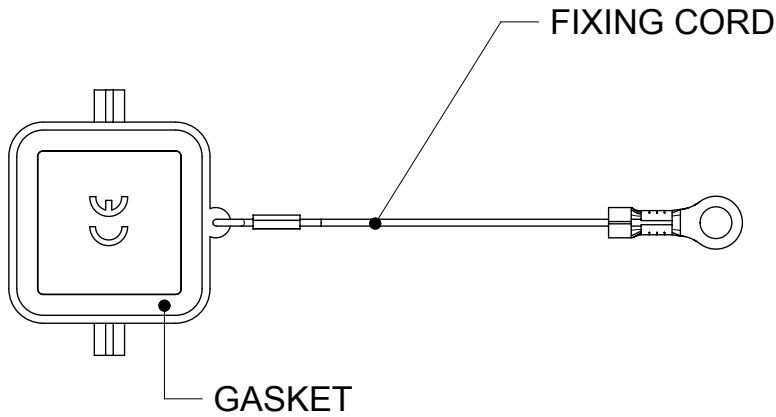
3

2

1

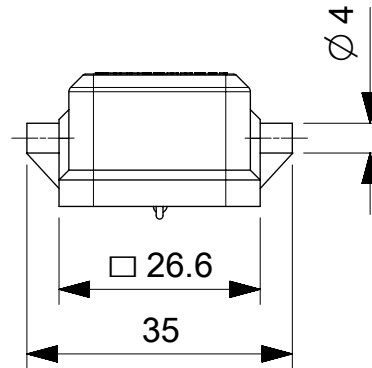
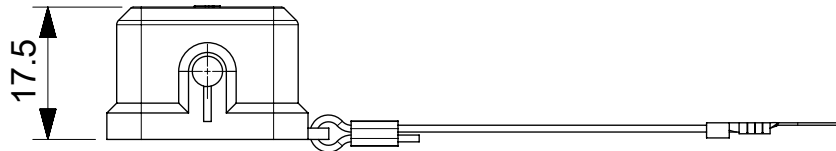
D

D



C

C



B

B

A

A

THIS DRAWING CONTAINS INFORMATION THAT IS PROPRIETARY TO MOLEX ELECTRONIC TECHNOLOGIES, LLC AND SHOULD NOT BE USED WITHOUT WRITTEN PERMISSION											
QUALITY SYMBOLS 	EC NO: 173163 DRWN: AKHEMIRI CHK'D: AMELZI APPR: AMELZI	2018/03/06 2018/03/06 2018/03/06	GENERAL TOLERANCES (UNLESS SPECIFIED)		DIMENSION UNITS	SCALE					
			ANGULAR TOL ± °		mm	1:1					
			4 PLACES ±		DRWN BY	DATE	7803.6801.0 3A STANDARD NYLON COVER WITH GASKET FOR FEMALE INSERTS GREY				
			3 PLACES ±		AKHEMIRI	2017/11/29					
			2 PLACES ±		CHK'D BY	DATE	PRODUCT CUSTOMER DRAWING				
			1 PLACE ±		AKHEMIRI	2018/03/06					
			0 PLACES ±		APPR BY	DATE	SERIES MATERIAL NUMBER CUSTOMER 93601 936010696 GENERAL MARKET				
			DRAFT WHERE APPLICABLE MUST REMAIN WITHIN DIMENSIONS		AMELZI	2018/03/06					
					DRAWING SIZE	FIRST ANGLE PROJECTION	DOCUMENT NUMBER DOC TYPE DOC PART SHEET NUMBER 936010696 PSD 000 1 OF 1				
					A4						

RELEASE STATUS	P1	RELEASE DATE	2018/03/06	16:24:24
----------------	----	--------------	------------	----------

6

5

4

3

2

1

FORMAT: 1b-prod-A4
REVISION: G
DATE: 2015/12/14