

6

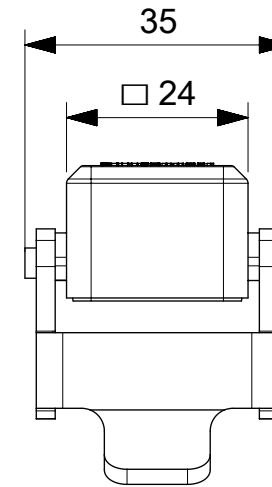
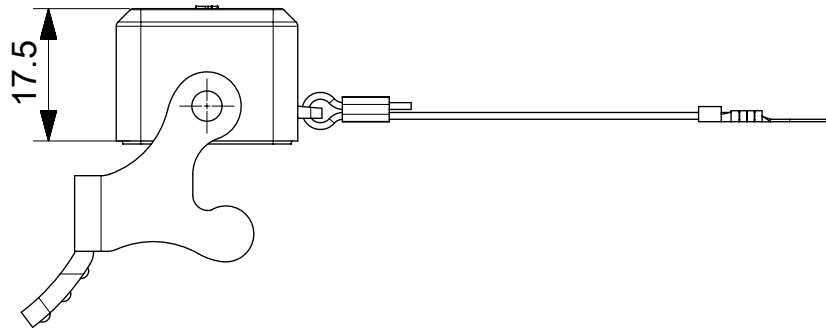
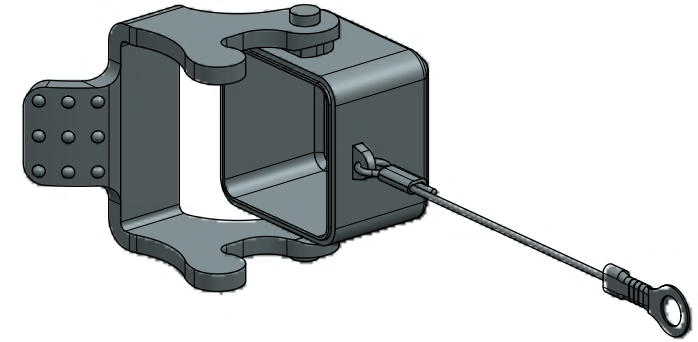
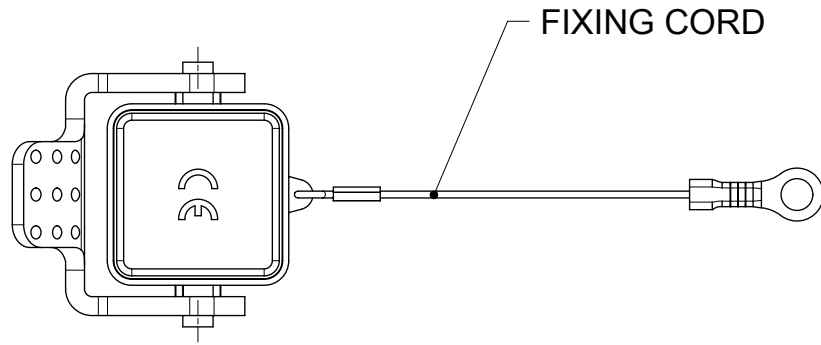
5

4

3

2

1



QUALITY SYMBOLS		THIS DRAWING CONTAINS INFORMATION THAT IS PROPRIETARY TO MOLEX ELECTRONIC TECHNOLOGIES, LLC AND SHOULD NOT BE USED WITHOUT WRITTEN PERMISSION									
	= 0	2018/03/06 2018/03/06 2018/03/06	GENERAL TOLERANCES (UNLESS SPECIFIED)	DIMENSION UNITS	SCALE	molex [®]					
	= 0			mm	1:1						
	= 0			ANGULAR TOL ±	DRWN BY	DATE	7803.6880.0 3A STANDARD NYLON COVER 1LEVER FOR MALE INSERTS GREY				
	= 0			4 PLACES ±	AKHEMIRI	2017/12/04					
	= 0			3 PLACES ±	CHK'D BY	DATE	PRODUCT CUSTOMER DRAWING				
	= 0			2 PLACES ±	AKHEMIRI	2018/03/06					
	= 0	1 PLACE ±	APPR BY	DATE	SERIES	MATERIAL NUMBER	CUSTOMER				
	= 0	0 PLACES ±	AMELZI	2018/03/06	93601	0936010714	GENERAL MARKET				
	= 0	DRAFT WHERE APPLICABLE MUST REMAIN WITHIN DIMENSIONS	DRAWING SIZE	FIRST ANGLE PROJECTION	DOCUMENT NUMBER		DOC TYPE	DOC PART	SHEET NUMBER		
	= 0		A4		936010714		PSD	000	1 OF 1		
		EC NO: 173163	DRWN: AKHEMIRI								
		CHK'D: AMELZI	APPR: AMELZI								

RELEASE STATUS	P1	RELEASE DATE	2018/03/06	16:24:28
----------------	----	--------------	------------	----------

6

5

4

3

2

1

F:\FORMAT: 18-prod-A4
REVISION: G
DATE: 2015/12/14