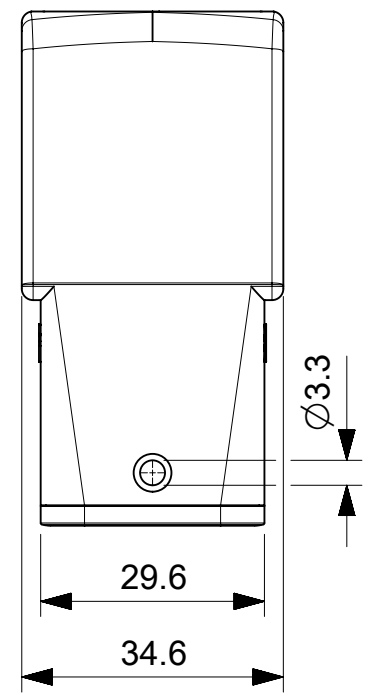
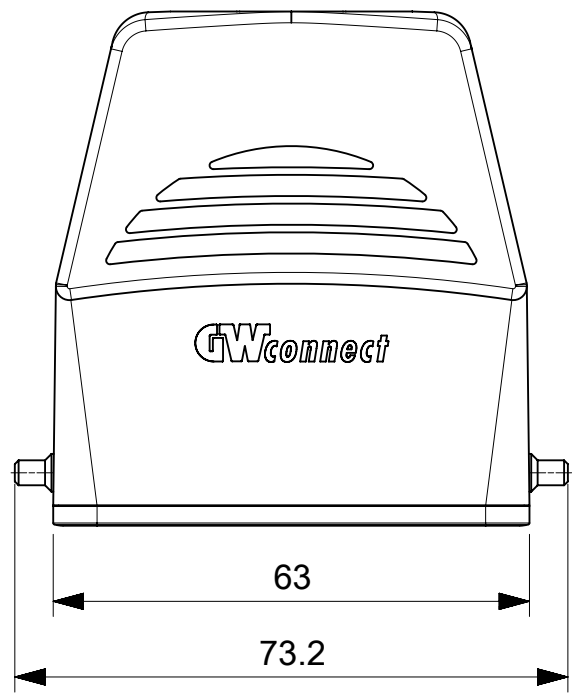
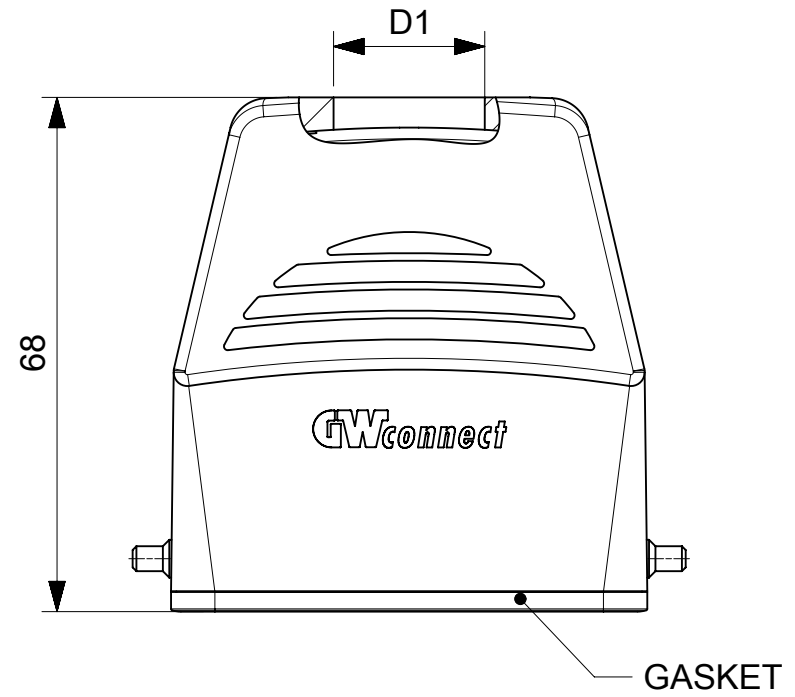
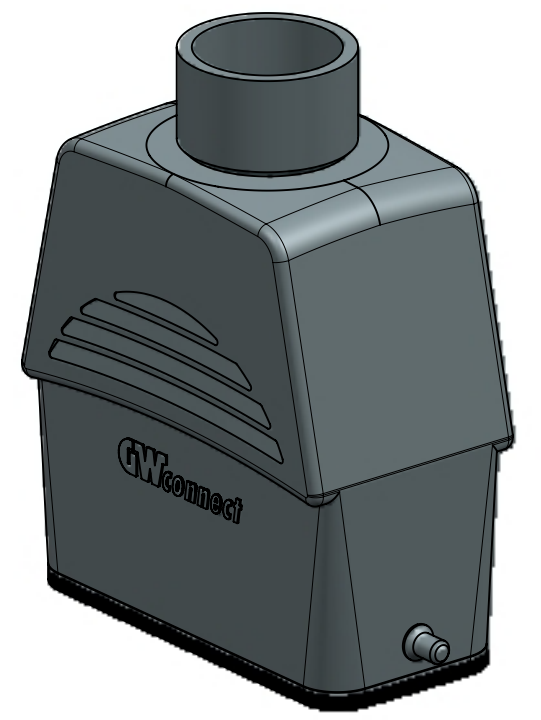
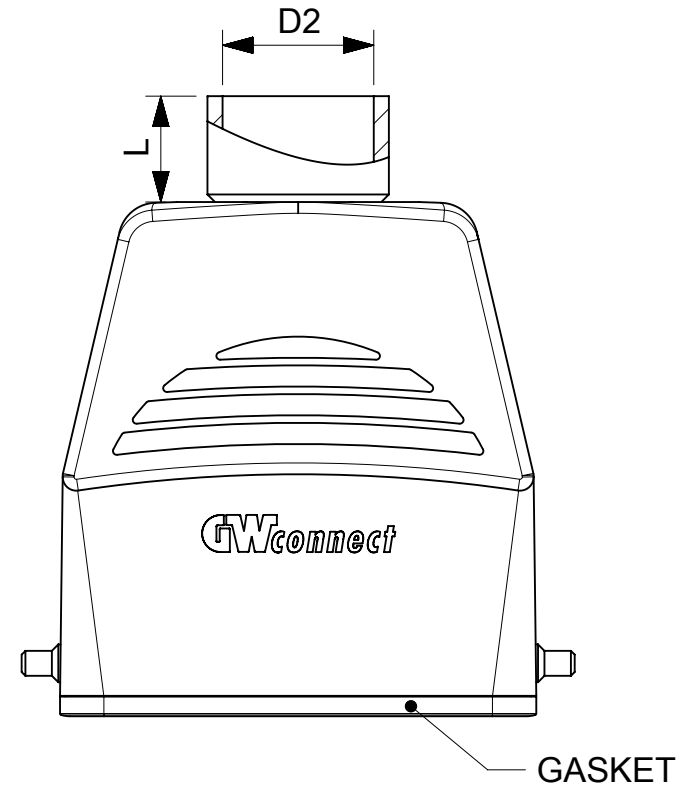


WITHOUT THREADED FITTING



WITH THREADED FITTING



Eng.No.	SAP.No.	D1 W/O FITTING	D2 W/ FITTING	L
7810.4561.0	936011179	-	M20	14
7810.4562.0	936011185	-	M25	15
7810.4563.0	936011191	-	Pg16	14
7810.4564.0	936011197	-	Pg21	15
7810.4565.0	936011203	-	-	-
7810.4561.5	936011182	M20	-	-
7810.4562.5	936011188	M25	-	-
7810.4563.5	936011194	Pg16	-	-
7810.4564.5	0936011200	Pg21	-	-

<b>SYMBOLS</b> DIMENSION UNITS: mm SCALE: 1:1 GENERAL TOLERANCES (UNLESS SPECIFIED): ANGULAR TOL: ± ° 4 PLACES: ± 3 PLACES: ± 2 PLACES: ± 1 PLACE: ± 0 PLACES: ± DRAFT WHERE APPLICABLE MUST REMAIN WITHIN DIMENSIONS FIRST ANGLE PROJECTION	THIS DRAWING CONTAINS INFORMATION THAT IS PROPRIETARY TO MOLEX ELECTRONIC TECHNOLOGIES, LLC AND SHOULD NOT BE USED WITHOUT WRITTEN PERMISSION CURRENT REV DESC: EC NO: 174618 DRWN: AKHEMIRI 2018/03/05 CHK'D: DMERONI 2018/03/13 APPR: AMELZI 2018/04/04 INITIAL REVISION: DRWN: AKHEMIRI 2018/03/05 APPR: AMELZI 2018/04/04		<b>molex</b> 10A STANDARD HOOD 2 PEGS HIGH CONSTRUCTION TOP ENTRY WITH / WITHOUT THREADED FITTING PRODUCT CUSTOMER DRAWING	
	DOCUMENT NUMBER: 936011182 DOC TYPE: PSD DOC PART: 000 REVISION: A	MATERIAL NUMBER: SEE TABLE CUSTOMER: GENERAL MARKET	SERIES: A3-SIZE 93601	SHEET NUMBER: 1 OF 1