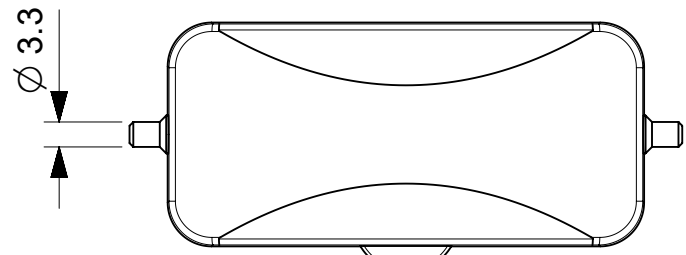
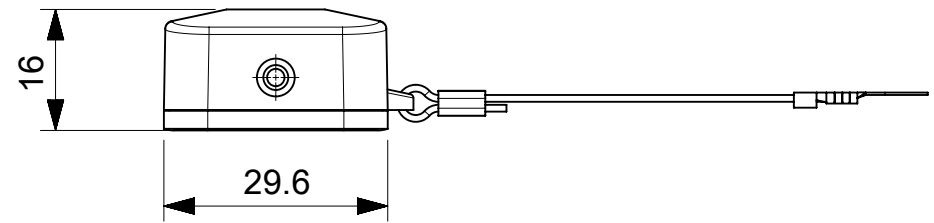
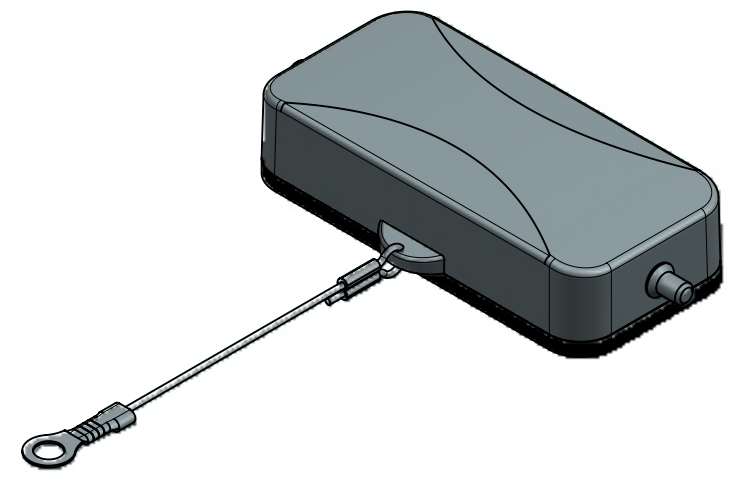
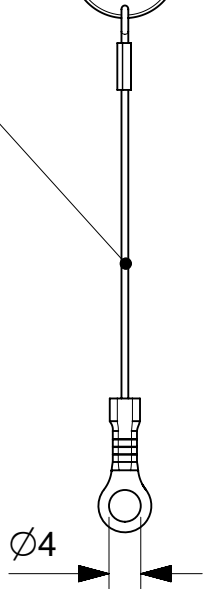


GASKET



FIXING CORD



| | | | | | | | | | | | | | | | | | | | |
|--|--|--|--|--|---------------------------|--|--|--|--|--|--|--|--|--|--|--|--|--|--|
| SYMBOLS | | | | | | | | | | THIS DRAWING CONTAINS INFORMATION THAT IS PROPRIETARY TO MOLEX ELECTRONIC TECHNOLOGIES, LLC AND SHOULD NOT BE USED WITHOUT WRITTEN PERMISSION | | | | | | | | | |
| DIMENSION UNITS | | | | | SCALE | | | | | CURRENT REV DESC: | | | | | | | | | |
| mm | | | | | 1:1 | | | | | molex 7810.4591.0 10A STANDARD COVER WITH GASKET PRODUCT CUSTOMER DRAWING DOCUMENT NUMBER: 936011239 DOC TYPE: PSD DOC PART: 000 REVISION: A MATERIAL NUMBER: 936011239 CUSTOMER: GENERAL MARKET SHEET NUMBER: 1 OF 1 | | | | | | | | | |
| GENERAL TOLERANCES (UNLESS SPECIFIED) | | | | | | | | | | | | | | | | | | | |
| ANGULAR TOL ± ° | | | | | | | | | | | | | | | | | | | |
| 4 PLACES ± | | | | | EC NO: 174767 | | | | | | | | | | | | | | |
| 3 PLACES ± | | | | | DRWN: AKHEMIRI 2018/04/09 | | | | | | | | | | | | | | |
| 2 PLACES ± | | | | | CHK'D: AMELZI 2018/04/09 | | | | | | | | | | | | | | |
| 1 PLACE ± | | | | | APPR: AMELZI 2018/04/09 | | | | | | | | | | | | | | |
| 0 PLACES ± | | | | | INITIAL REVISION: | | | | | | | | | | | | | | |
| DRAFT WHERE APPLICABLE MUST REMAIN WITHIN DIMENSIONS | | | | | FIRST ANGLE PROJECTION | | | | | DRAWING | | | | | | | | | |
| A4-SIZE | | | | | SERIES | | | | | MATERIAL NUMBER | | | | | | | | | |
| 93601 | | | | | 936011239 | | | | | CUSTOMER | | | | | | | | | |
| GENERAL MARKET | | | | | SHEET NUMBER | | | | | | | | | | | | | | |
| 1 OF 1 | | | | | | | | | | | | | | | | | | | |

| | | | | |
|-----------------|----|--------------|------------|----------|
| DOCUMENT STATUS | P1 | RELEASE DATE | 2018/04/09 | 15:23:37 |
|-----------------|----|--------------|------------|----------|