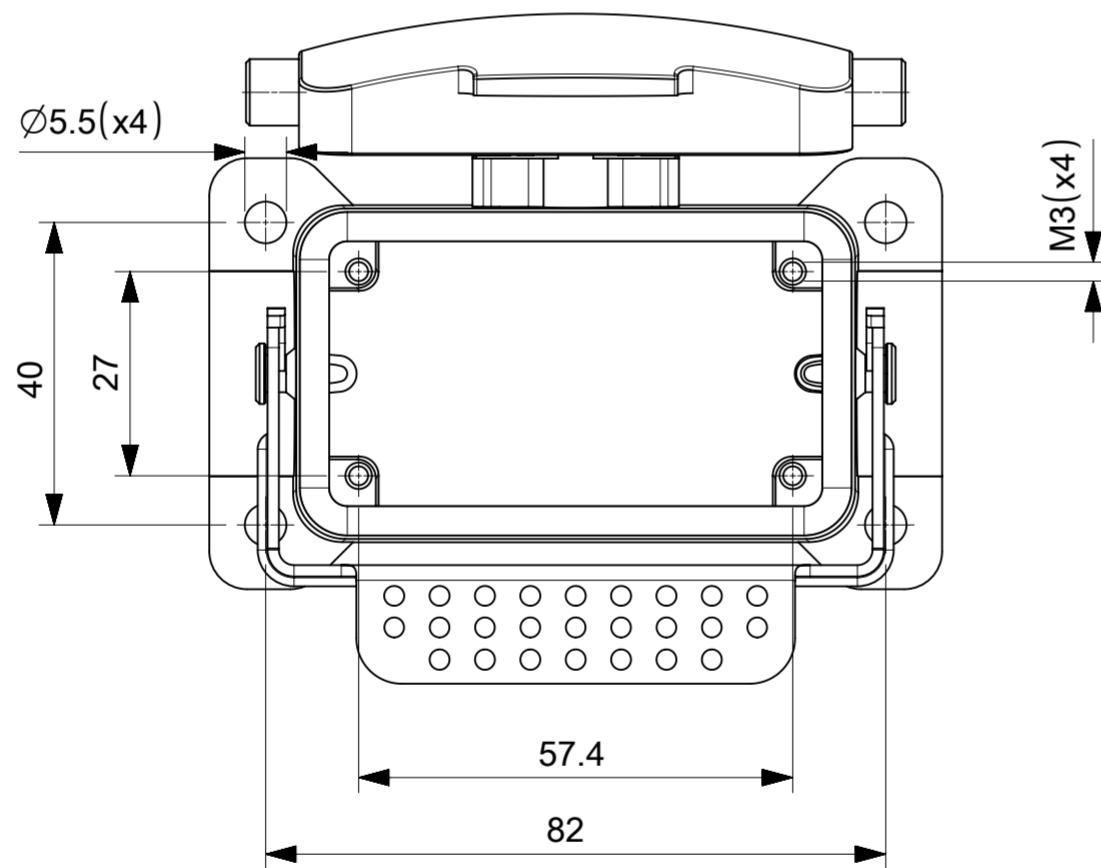
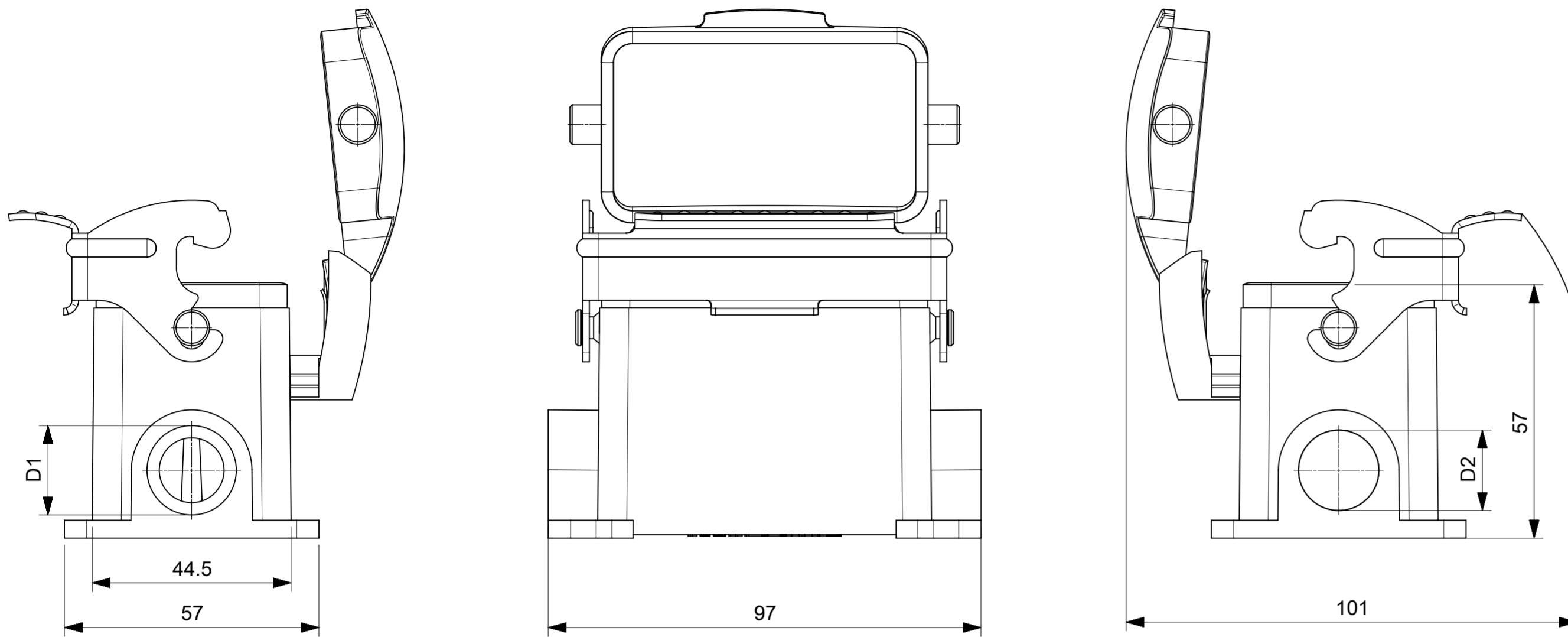
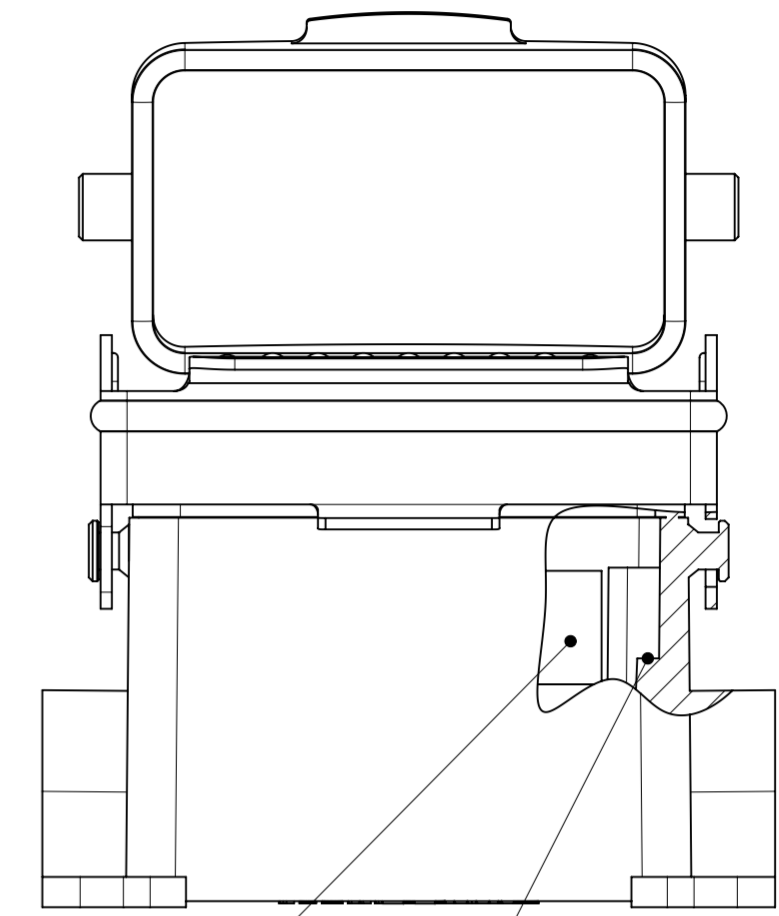


STANDARD VERSION

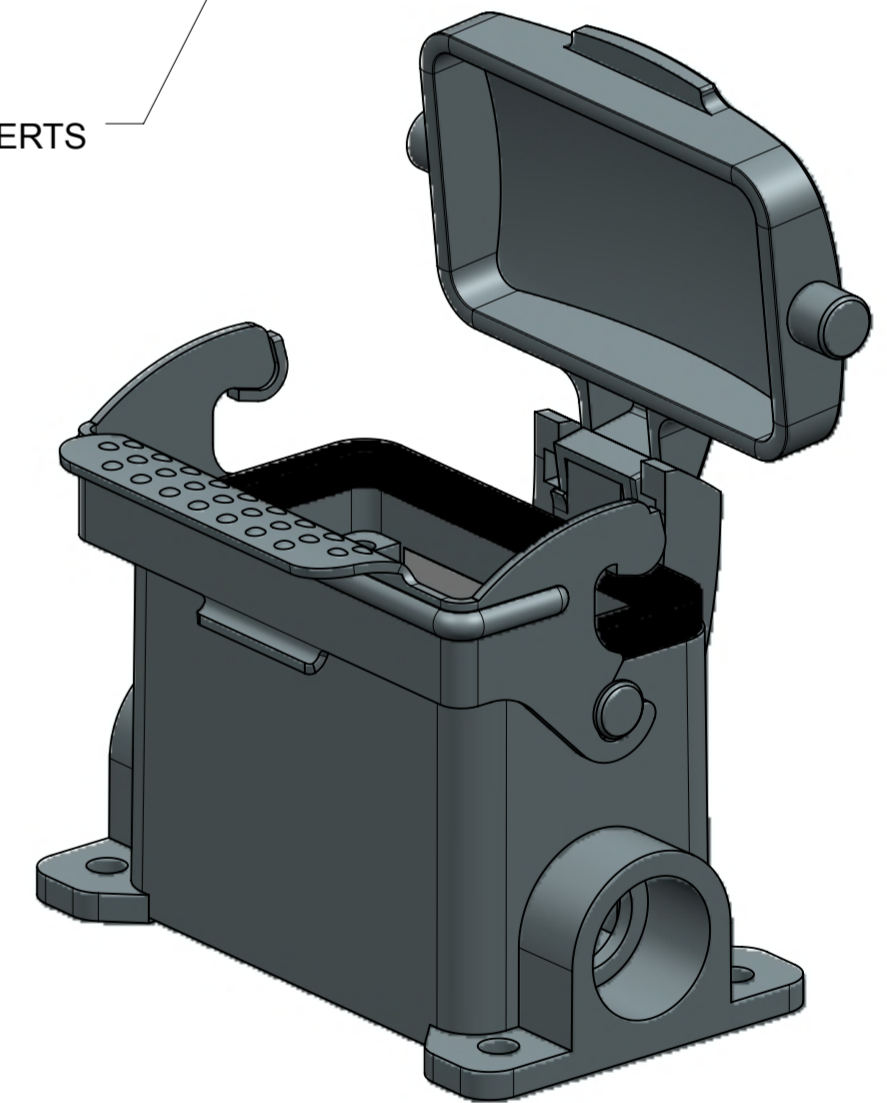


STANDARD HIGH VOLTAGE VERSION



INSULATING ADHESIVE TAPE ON BOTH SIDES

SUITABLE FOR HIGH VOLTAGE INSERTS



SAP.No.	Eng.No.	TYPE	D1	D2
936011553	7810.6363.0	STANDARD	M20	-
936011556	7810.6364.0	STANDARD	M20	M20
936011531	7810.6313.0	STANDARD	Pg16	-
936011534	7810.6314.0	STANDARD	Pg16	Pg16
936011555	7810.6363.2	STANDARD HIGH VOLTAGE	M20	-
936011558	7810.6364.2	STANDARD HIGH VOLTAGE	M20	M20
936011533	7810.6313.2	STANDARD HIGH VOLTAGE	Pg16	-
936011536	7810.6314.2	STANDARD HIGH VOLTAGE	Pg16	Pg16

SYMBOLS	THIS DRAWING CONTAINS INFORMATION THAT IS PROPRIETARY TO MOLEX ELECTRONIC TECHNOLOGIES, LLC AND SHOULD NOT BE USED WITHOUT WRITTEN PERMISSION	
	DIMENSION UNITS	SCALE
∇ = 0	mm	1:1
∇ = 0	GENERAL TOLERANCES (UNLESS SPECIFIED)	
∇ = 0	ANGULAR TOL	± °
∇ = 0	4 PLACES	±
∇ = 0	3 PLACES	±
∇ = 0	2 PLACES	±
∇ = 0	1 PLACE	±
∇ = 0	0 PLACES	±
■ = 0	DRAFT WHERE APPLICABLE MUST REMAIN WITHIN DIMENSIONS	
∇ = 0	FIRST ANGLE PROJECTION	DRAWING
CURRENT REV DESC:		SERIES
EC NO: 177920		2018/05/18
DRWN: AKHEMIRI		2018/05/28
CHK'D: DMERONI		2018/06/12
APPR: AMELZI		
INITIAL REVISION:		
DRWN: AKHEMIRI		2018/05/18
APPR: AMELZI		2018/06/12
DOCUMENT NUMBER		DOC TYPE DOC PART REVISION
936011555		PSD 000 A
MATERIAL NUMBER		CUSTOMER
SEE TABLE		GENERAL MARKET
SHEET NUMBER		1 OF 1