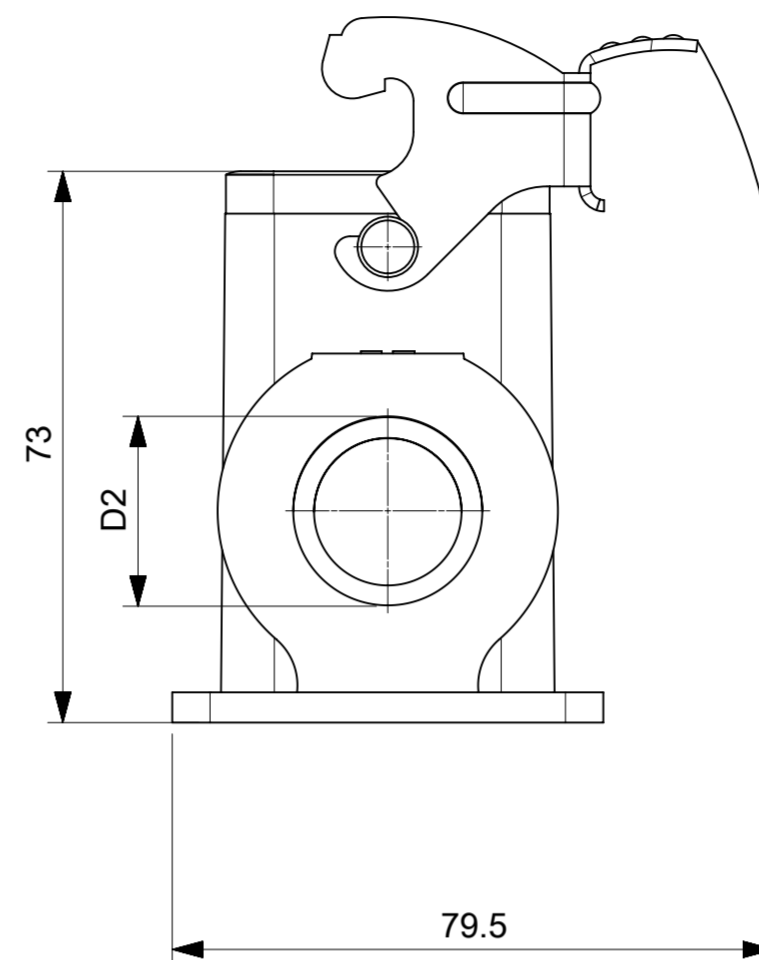
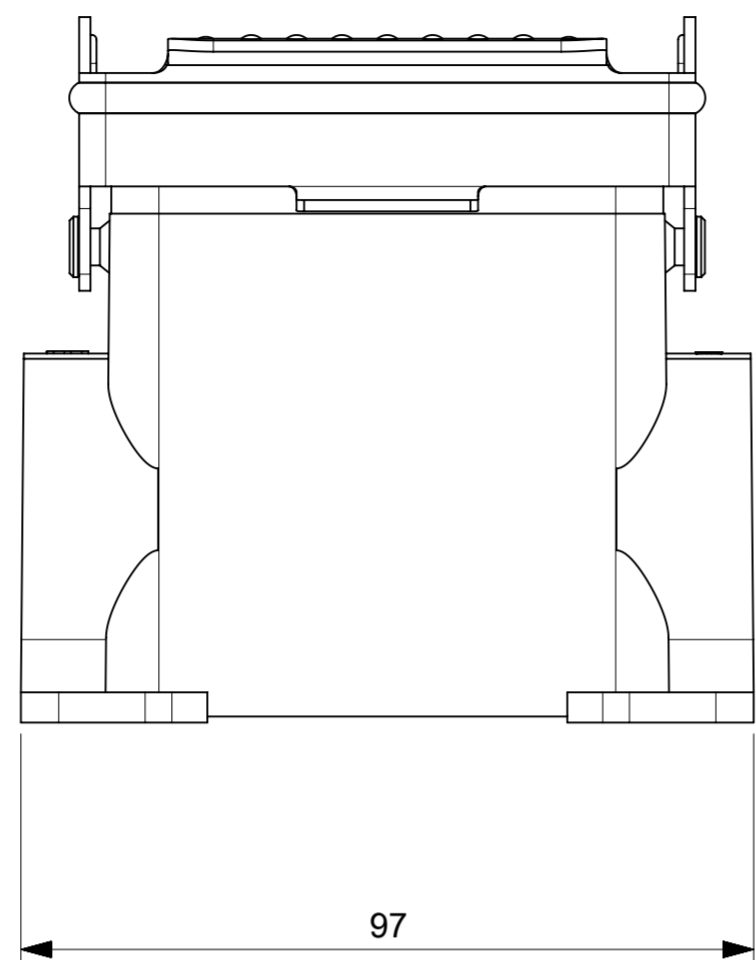
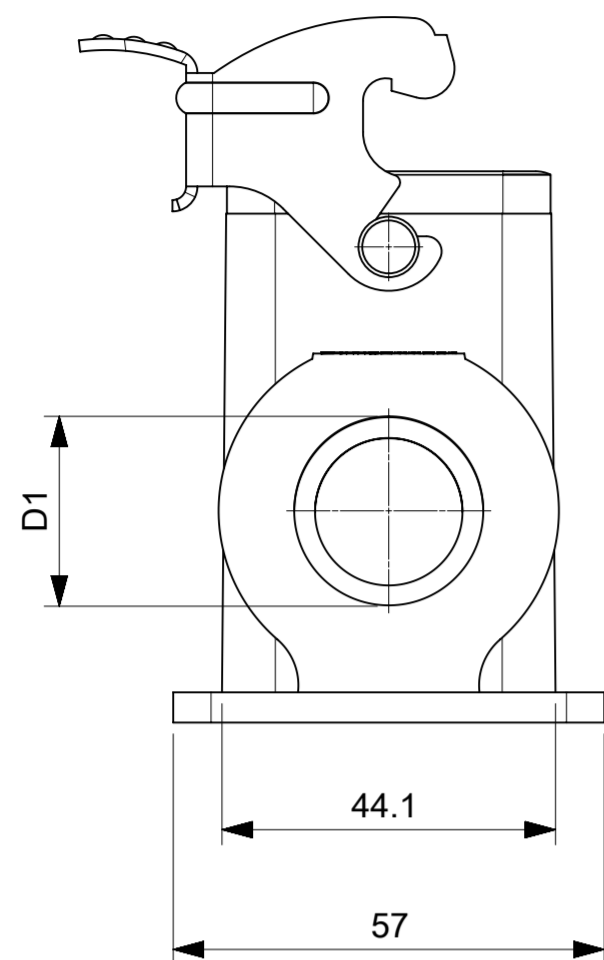
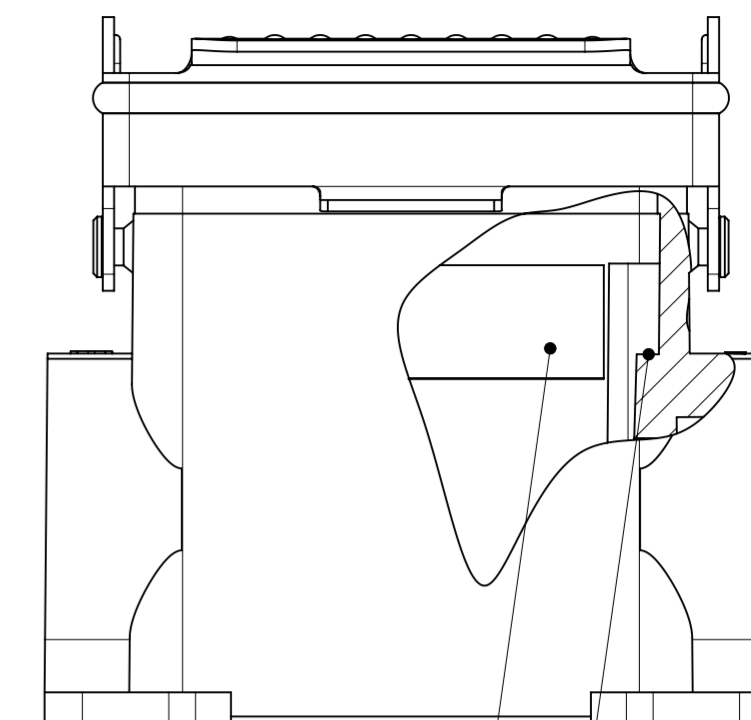


# STANDARD VERSION

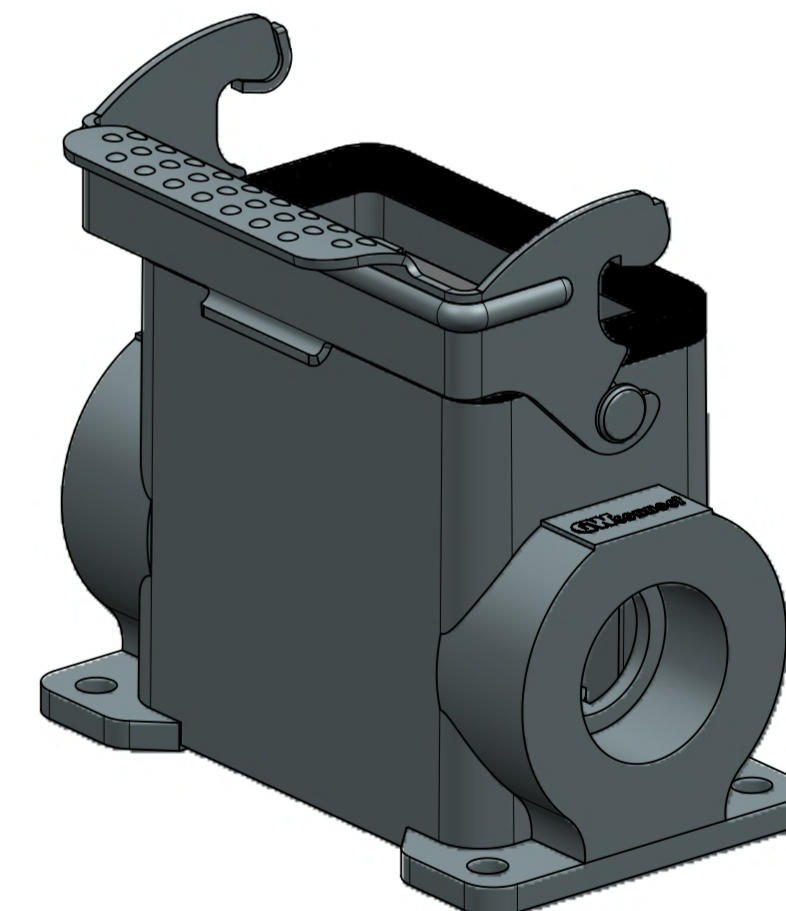
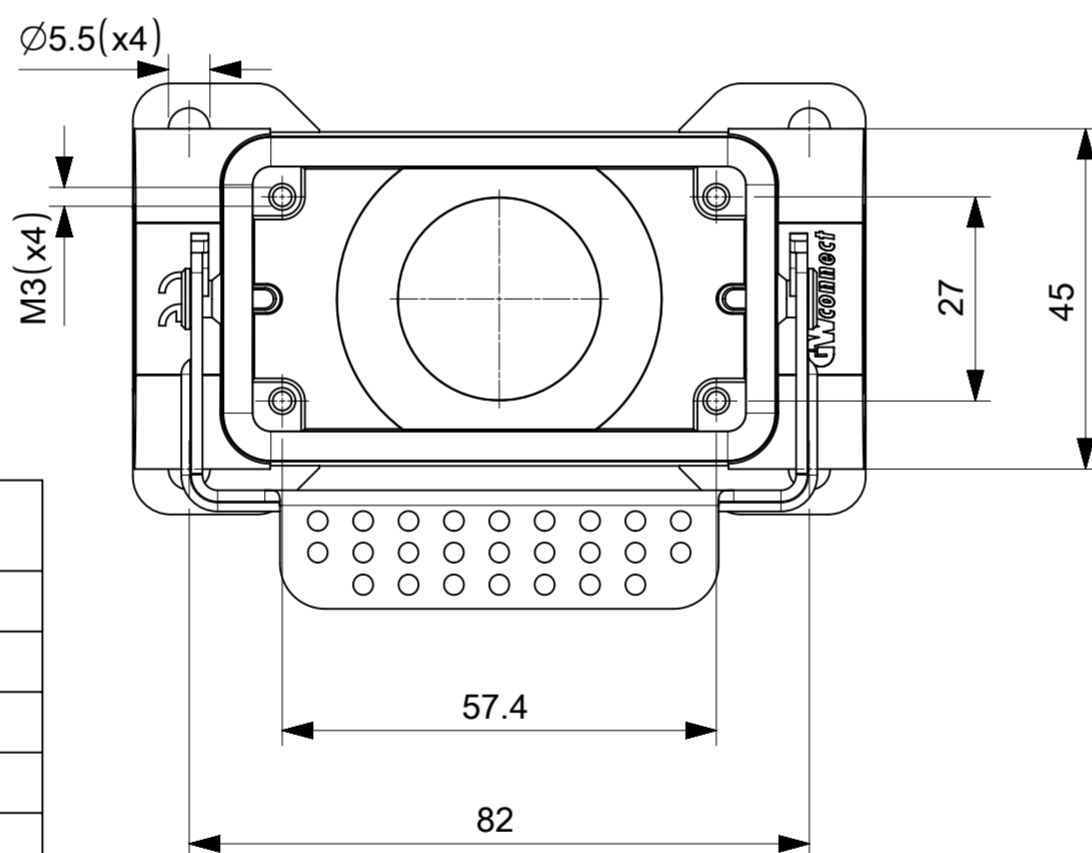


# STANDARD HIGH VOLTAGE VERSION



INSULATING ADHESIVE TAPE ON BOTH SIDES

SUITABLE FOR HIGH VOLTAGE INSERTS



SAP.No.	Eng.No.	TYPE	D1	D2
936011883	7810.7159.0	STANDARD	M25	M25
936011886	7810.7160.0	STANDARD	M 32	-
936011888	7810.7161.0	STANDARD	M 32	M 32
936011891	7810.7162.0	STANDARD	M 40	-
936011893	7810.7163.0	STANDARD	M 40	M 40
936011896	7810.7164.0	STANDARD	Pg 21	-
936011898	7810.7165.0	STANDARD	Pg 21	Pg 21
936011901	7810.7166.0	STANDARD	Pg 29	-
936011903	7810.7167.0	STANDARD	Pg 29	Pg 29
936011885	7810.7159.2	STANDARD HIGH VOLTAGE	M25	M25
936011887	7810.7160.2	STANDARD HIGH VOLTAGE	M 32	-
936011890	7810.7161.2	STANDARD HIGH VOLTAGE	M 32	M 32
936011892	7810.7162.2	STANDARD HIGH VOLTAGE	M 40	-
936011895	7810.7163.2	STANDARD HIGH VOLTAGE	M 40	M 40
936011897	7810.7164.2	STANDARD HIGH VOLTAGE	Pg 21	-
936011900	7810.7165.2	STANDARD HIGH VOLTAGE	Pg 21	Pg 21
936011902	7810.7166.2	STANDARD HIGH VOLTAGE	Pg 29	-
936011905	7810.7167.2	STANDARD HIGH VOLTAGE	Pg 29	Pg 29

<b>SYMBOLS</b> ▽ = 0 ▽ = 0 ▽ = 0 ▽ = 0 ▽ = 0 ▽ = 0 ▽ = 0 ▽ = 0 ▽ = 0 ▽ = 0 ▽ = 0 ▽ = 0	THIS DRAWING CONTAINS INFORMATION THAT IS PROPRIETARY TO MOLEX ELECTRONIC TECHNOLOGIES, LLC AND SHOULD NOT BE USED WITHOUT WRITTEN PERMISSION		CURRENT REV DESC:	
	DIMENSION UNITS	SCALE		
	mm	1:1		
	GENERAL TOLERANCES (UNLESS SPECIFIED)			
ANGULAR TOL	± °			
4 PLACES	±			
3 PLACES	±			
2 PLACES	±			
1 PLACE	±			
0 PLACES	±			
DRAFT WHERE APPLICABLE MUST REMAIN WITHIN DIMENSIONS	FIRST ANGLE PROJECTION	DRAWING	SERIES	
		A2-SIZE	93601	

<b>molex</b> 10B STANDARD AND HIGH VOLTAGE SURFACE MOUNTING HOUSING 1 LEVER HIGH CONSTRUCTION PRODUCT CUSTOMER DRAWING			
DOCUMENT NUMBER	DOC TYPE	DOC PART	REVISION
936011885	PSD	000	A
MATERIAL NUMBER	CUSTOMER	SHEET NUMBER	
SEE TABLE	GENERAL MARKET	1 OF 1	