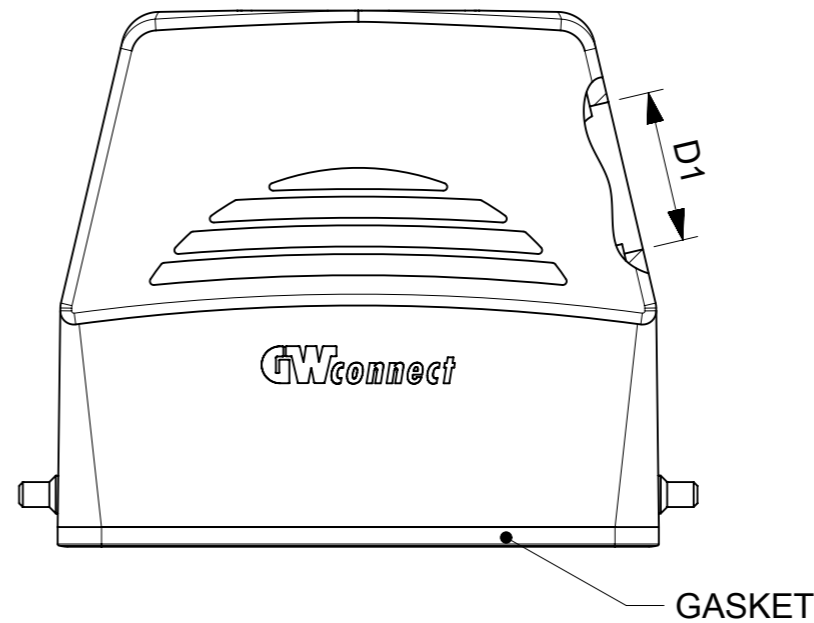
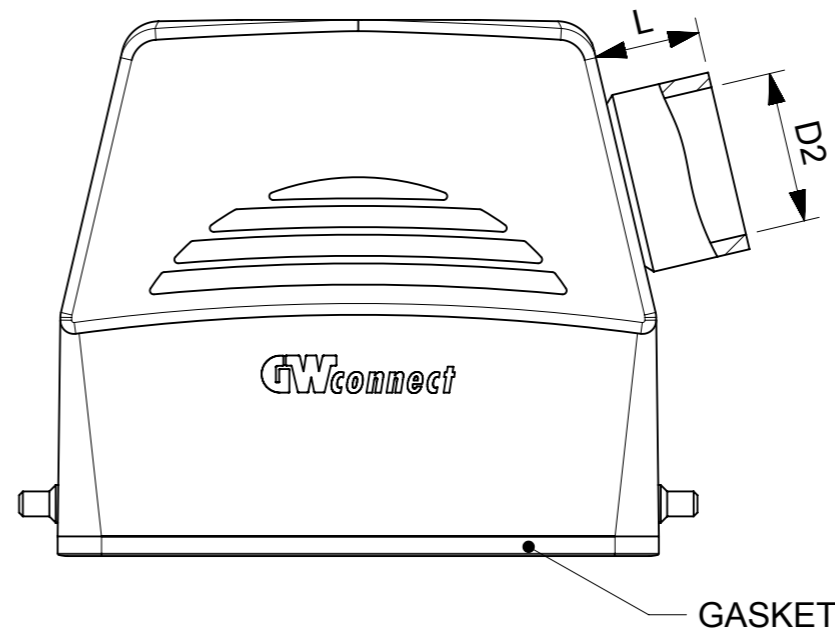


WITHOUT THREADED FITTING



WITH THREADED FITTING



Eng.No.	SAP.No.	D1 W/O FITTING	D2 W/ FITTING	L
7816.4586.0	936012210	-	M20	14
7816.4587.0	936012216	-	M25	15
7816.4588.0	936012222	-	Pg16	14
7816.4589.0	936012228	-	Pg21	15
7816.4586.5	936012213	M20	-	-
7816.4587.5	936012219	M25	-	-
7816.4588.5	936012225	Pg16	-	-
7816.4589.5	936012231	Pg21	-	-

SYMBOLS	THIS DRAWING CONTAINS INFORMATION THAT IS PROPRIETARY TO MOLEX ELECTRONIC TECHNOLOGIES, LLC AND SHOULD NOT BE USED WITHOUT WRITTEN PERMISSION	CURRENT REV DESC:		molex																														
	<table border="1"> <tr> <th>DIMENSION UNITS</th> <th>SCALE</th> </tr> <tr> <td>mm</td> <td>1:1</td> </tr> </table>	DIMENSION UNITS	SCALE		mm	1:1	<table border="1"> <tr> <td>EC NO: 174716</td> <td>2018/03/07</td> </tr> <tr> <td>DRWN: AKHEMIRI</td> <td>2018/03/13</td> </tr> <tr> <td>CHK'D: DMERONI</td> <td>2018/04/06</td> </tr> <tr> <td>APPR: AMELZI</td> <td></td> </tr> </table>		EC NO: 174716	2018/03/07	DRWN: AKHEMIRI	2018/03/13	CHK'D: DMERONI	2018/04/06	APPR: AMELZI		<table border="1"> <tr> <td colspan="3">16A STANDARD HOOD 2 PEGS HIGH CONSTRUCTION SIDE ENTRY WITH AND WITHOUT THREADED FITTING</td> </tr> <tr> <td colspan="3">PRODUCT CUSTOMER DRAWING</td> </tr> </table>		16A STANDARD HOOD 2 PEGS HIGH CONSTRUCTION SIDE ENTRY WITH AND WITHOUT THREADED FITTING			PRODUCT CUSTOMER DRAWING												
DIMENSION UNITS	SCALE																																	
mm	1:1																																	
EC NO: 174716	2018/03/07																																	
DRWN: AKHEMIRI	2018/03/13																																	
CHK'D: DMERONI	2018/04/06																																	
APPR: AMELZI																																		
16A STANDARD HOOD 2 PEGS HIGH CONSTRUCTION SIDE ENTRY WITH AND WITHOUT THREADED FITTING																																		
PRODUCT CUSTOMER DRAWING																																		
<table border="1"> <tr> <td>▽ = 0</td> <td>4 PLACES</td> </tr> <tr> <td>▽ = 0</td> <td>3 PLACES</td> </tr> <tr> <td>▽ = 0</td> <td>2 PLACES</td> </tr> <tr> <td>▽ = 0</td> <td>1 PLACE</td> </tr> <tr> <td>▽ = 0</td> <td>0 PLACES</td> </tr> </table>	▽ = 0	4 PLACES	▽ = 0	3 PLACES	▽ = 0	2 PLACES	▽ = 0	1 PLACE	▽ = 0	0 PLACES	<table border="1"> <tr> <td>GENERAL TOLERANCES (UNLESS SPECIFIED)</td> <td>±</td> <td>°</td> </tr> <tr> <td>ANGULAR TOL</td> <td>±</td> <td>°</td> </tr> </table>	GENERAL TOLERANCES (UNLESS SPECIFIED)	±	°	ANGULAR TOL	±	°	<table border="1"> <tr> <td>INITIAL REVISION:</td> <td>2018/03/06</td> </tr> <tr> <td>DRWN: AKHEMIRI</td> <td>2018/03/06</td> </tr> <tr> <td>APPR: AMELZI</td> <td>2018/04/06</td> </tr> </table>		INITIAL REVISION:	2018/03/06	DRWN: AKHEMIRI	2018/03/06	APPR: AMELZI	2018/04/06	<table border="1"> <tr> <td>DOCUMENT NUMBER</td> <td>DOC TYPE</td> <td>DOC PART</td> <td>REVISION</td> </tr> <tr> <td>936012210</td> <td>PSD</td> <td>000</td> <td>A</td> </tr> </table>	DOCUMENT NUMBER	DOC TYPE	DOC PART	REVISION	936012210	PSD	000	A
▽ = 0	4 PLACES																																	
▽ = 0	3 PLACES																																	
▽ = 0	2 PLACES																																	
▽ = 0	1 PLACE																																	
▽ = 0	0 PLACES																																	
GENERAL TOLERANCES (UNLESS SPECIFIED)	±	°																																
ANGULAR TOL	±	°																																
INITIAL REVISION:	2018/03/06																																	
DRWN: AKHEMIRI	2018/03/06																																	
APPR: AMELZI	2018/04/06																																	
DOCUMENT NUMBER	DOC TYPE	DOC PART	REVISION																															
936012210	PSD	000	A																															
<table border="1"> <tr> <td>DRAFT WHERE APPLICABLE MUST REMAIN WITHIN DIMENSIONS</td> <td>FIRST ANGLE PROJECTION</td> <td>DRAWING</td> <td>SERIES</td> <td>MATERIAL NUMBER</td> <td>CUSTOMER</td> <td>SHEET NUMBER</td> </tr> <tr> <td></td> <td></td> <td>A3-SIZE</td> <td>93601</td> <td>SEE TABLE</td> <td>GENERAL MARKET</td> <td>1 OF 1</td> </tr> </table>	DRAFT WHERE APPLICABLE MUST REMAIN WITHIN DIMENSIONS	FIRST ANGLE PROJECTION	DRAWING	SERIES	MATERIAL NUMBER	CUSTOMER	SHEET NUMBER			A3-SIZE	93601	SEE TABLE	GENERAL MARKET	1 OF 1																				
DRAFT WHERE APPLICABLE MUST REMAIN WITHIN DIMENSIONS	FIRST ANGLE PROJECTION	DRAWING	SERIES	MATERIAL NUMBER	CUSTOMER	SHEET NUMBER																												
		A3-SIZE	93601	SEE TABLE	GENERAL MARKET	1 OF 1																												