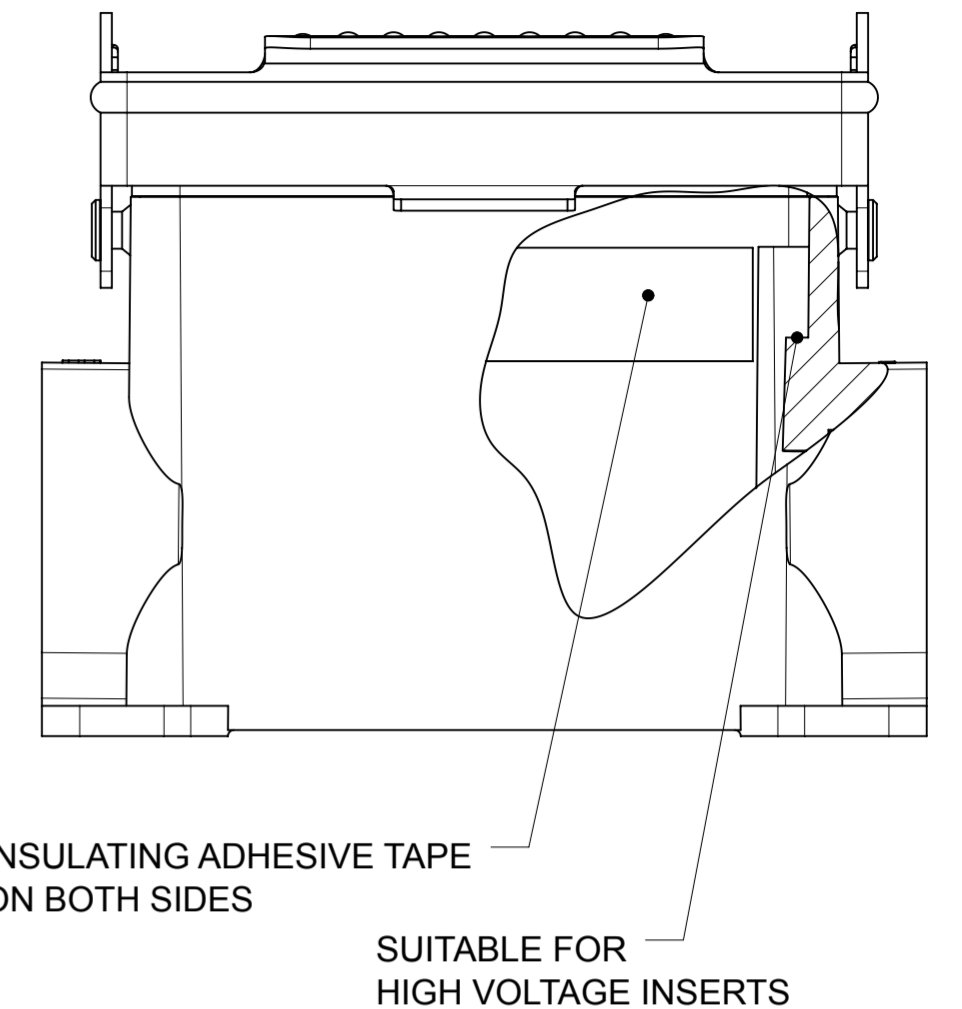
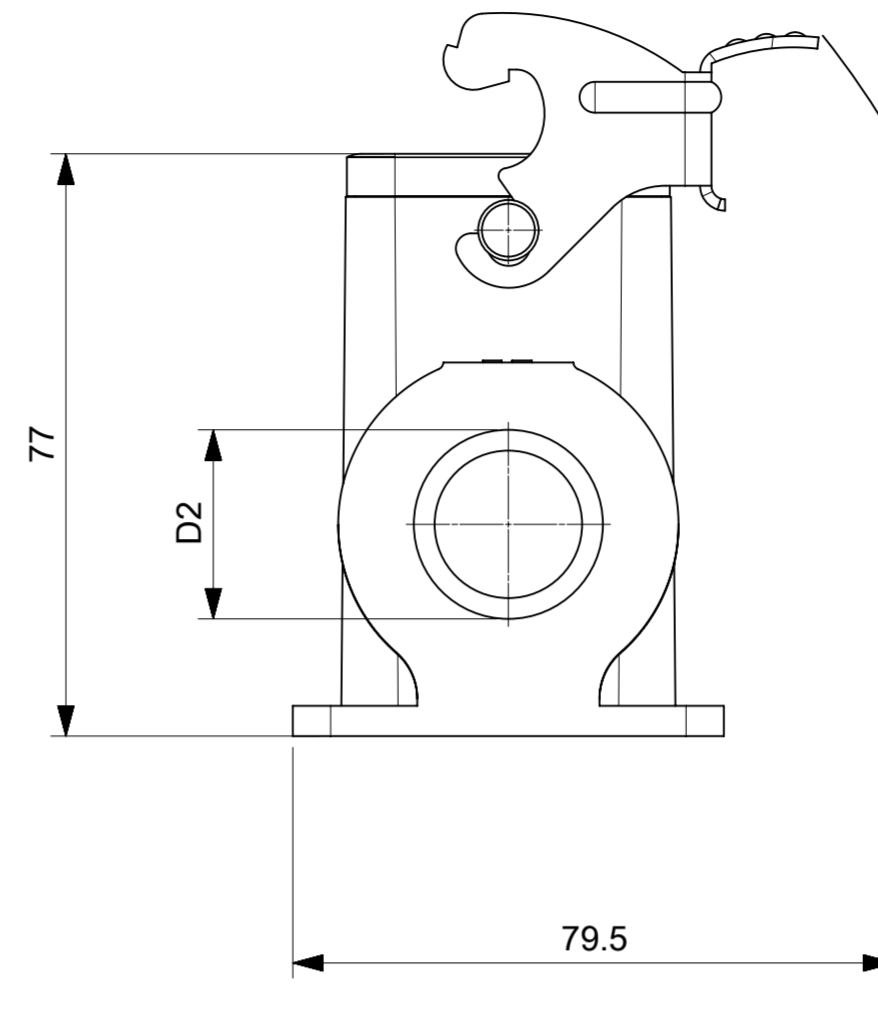
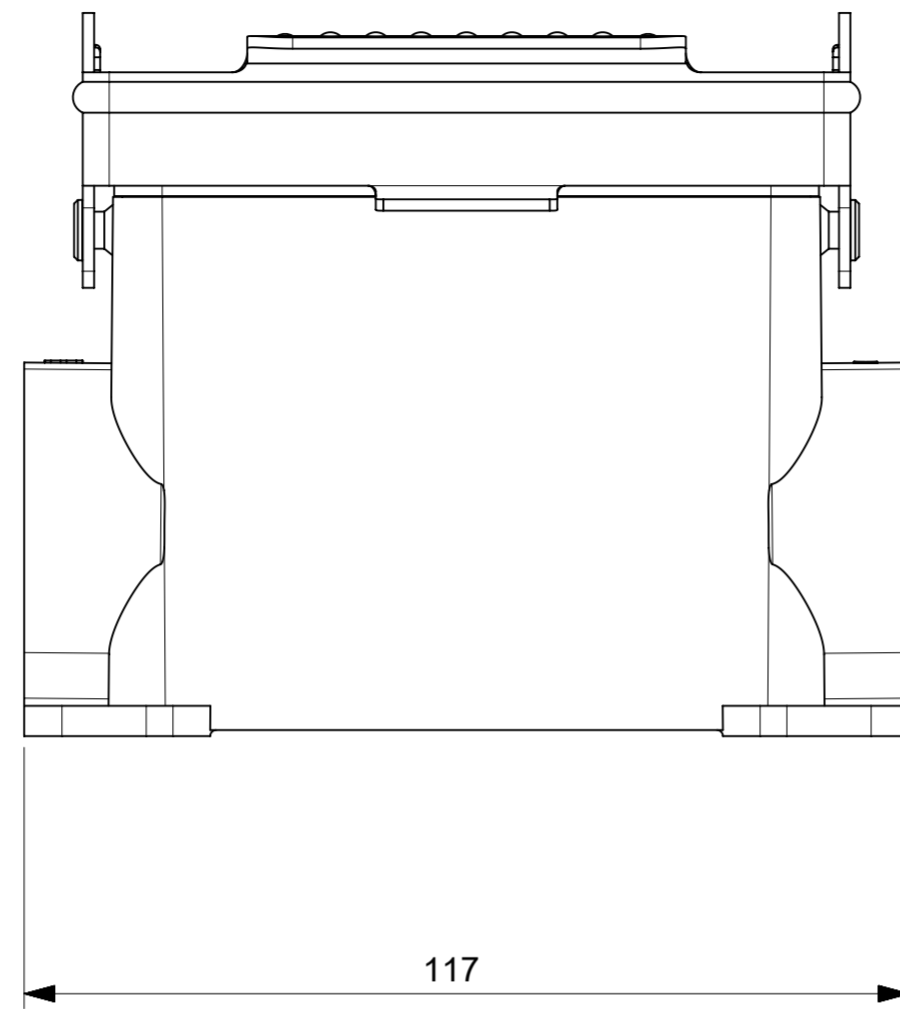
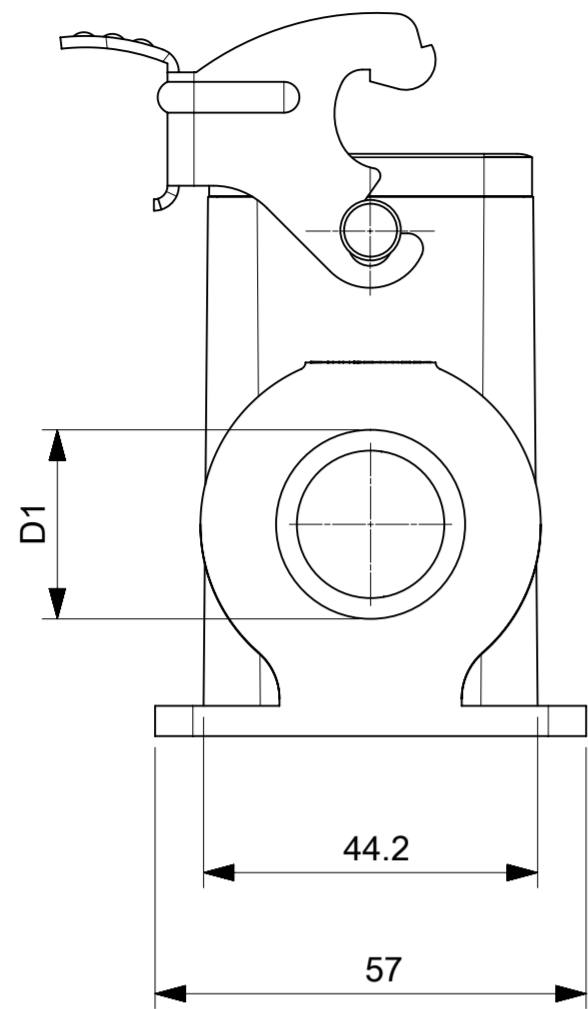
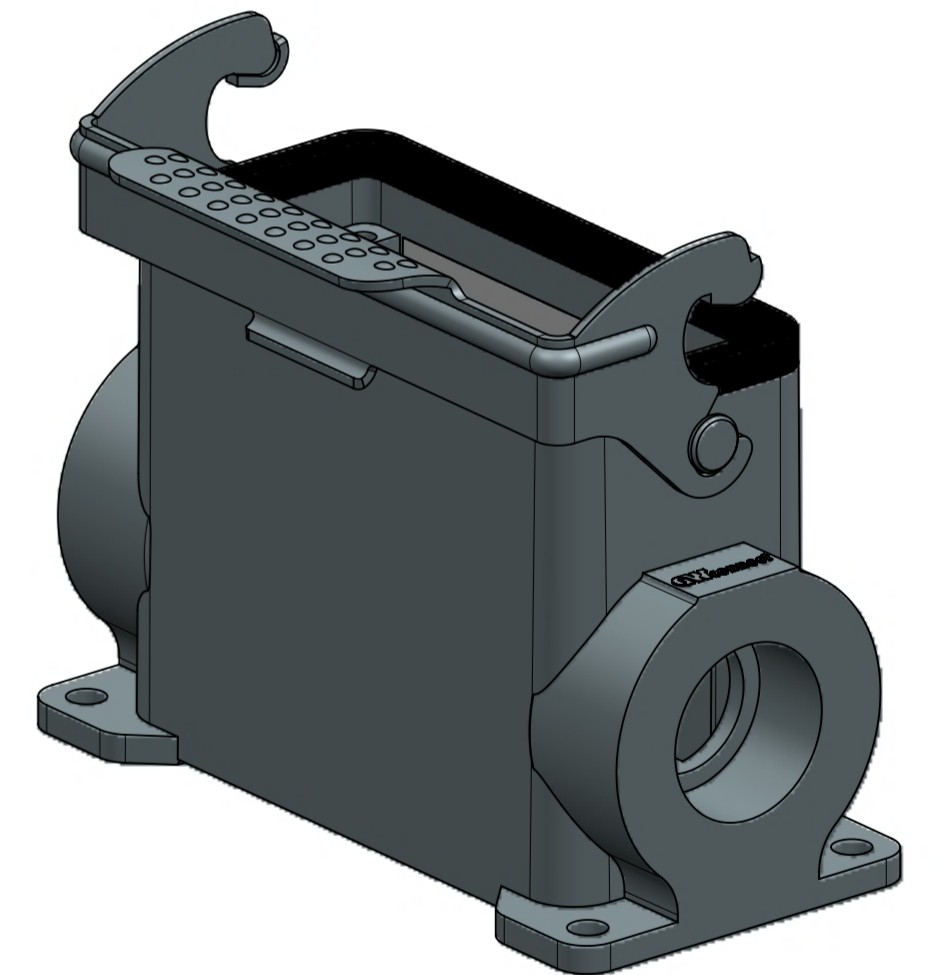
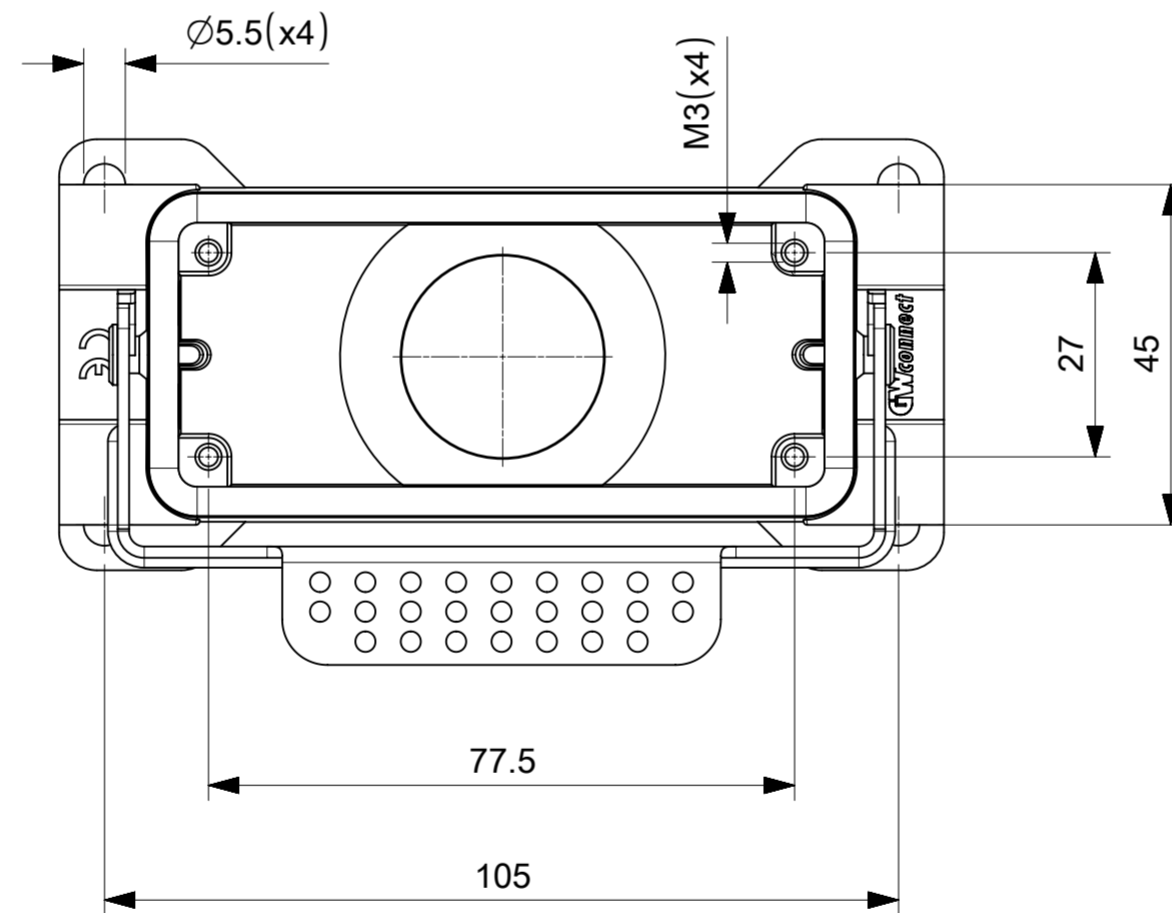


STANDARD VERSION

STANDARD HIGH VOLTAGE VERSION



SAP.No.	Eng.No.	TYPE	D1	D2
936012931	7816.7168.0	STANDARD	M25	M25
936012934	7816.7169.0	STANDARD	M 32	-
936012936	7816.7170.0	STANDARD	M 32	M 32
936012939	7816.7171.0	STANDARD	M 40	-
936012941	7816.7172.0	STANDARD	M 40	M 40
936012944	7816.7173.0	STANDARD	Pg 21	-
936012946	7816.7174.0	STANDARD	Pg 21	Pg 21
936012949	7816.7175.0	STANDARD	Pg 29	-
936012951	7816.7176.0	STANDARD	Pg 29	Pg 29
936012933	7816.7168.2	STANDARD HIGH VOLTAGE	M25	M25
936012935	7816.7169.2	STANDARD HIGH VOLTAGE	M32	-
936012938	7816.7170.2	STANDARD HIGH VOLTAGE	M 32	M 32
936012940	7816.7171.2	STANDARD HIGH VOLTAGE	M 40	-
936012943	7816.7172.2	STANDARD HIGH VOLTAGE	M 40	M 40
936012945	7816.7173.2	STANDARD HIGH VOLTAGE	Pg 21	-
936012948	7816.7174.2	STANDARD HIGH VOLTAGE	Pg 21	Pg 21
936012950	7816.7175.2	STANDARD HIGH VOLTAGE	Pg 29	-
936012953	7816.7176.2	STANDARD HIGH VOLTAGE	Pg 29	Pg 29



SYMBOLS ▽ = 0 ▽ = 0 ▽ = 0 ▽ = 0 ▽ = 0 ▽ = 0 ▽ = 0 ▽ = 0 ▽ = 0 ▽ = 0 ▽ = 0	THIS DRAWING CONTAINS INFORMATION THAT IS PROPRIETARY TO MOLEX ELECTRONIC TECHNOLOGIES, LLC AND SHOULD NOT BE USED WITHOUT WRITTEN PERMISSION		molex 16B STANDARD AND HIGH VOLTAGE SURFACE MOUNTING HOUSING 1 LEVER HIGH CONSTRUCTION PRODUCT CUSTOMER DRAWING		
	DIMENSION UNITS	SCALE			DOCUMENT NUMBER
	mm	1:1	936012933	PSD 000 A	
	GENERAL TOLERANCES (UNLESS SPECIFIED) ANGULAR TOL ± ° 4 PLACES ± 3 PLACES ± 2 PLACES ± 1 PLACE ± 0 PLACES ± DRAFT WHERE APPLICABLE MUST REMAIN WITHIN DIMENSIONS		CURRENT REV DESC: EC NO: 177920 DRWN: AKHEMIRI 2018/06/05 CHK'D: DMERONI 2018/06/06 APPR: AMELZI 2018/06/12 INITIAL REVISION: DRWN: AKHEMIRI 2018/05/25 APPR: AMELZI 2018/06/12		
FIRST ANGLE PROJECTION	DRAWING	SERIES	MATERIAL NUMBER	CUSTOMER	SHEET NUMBER
	A2-SIZE	93601	SEE TABLE	GENERAL MARKET	1 OF 1