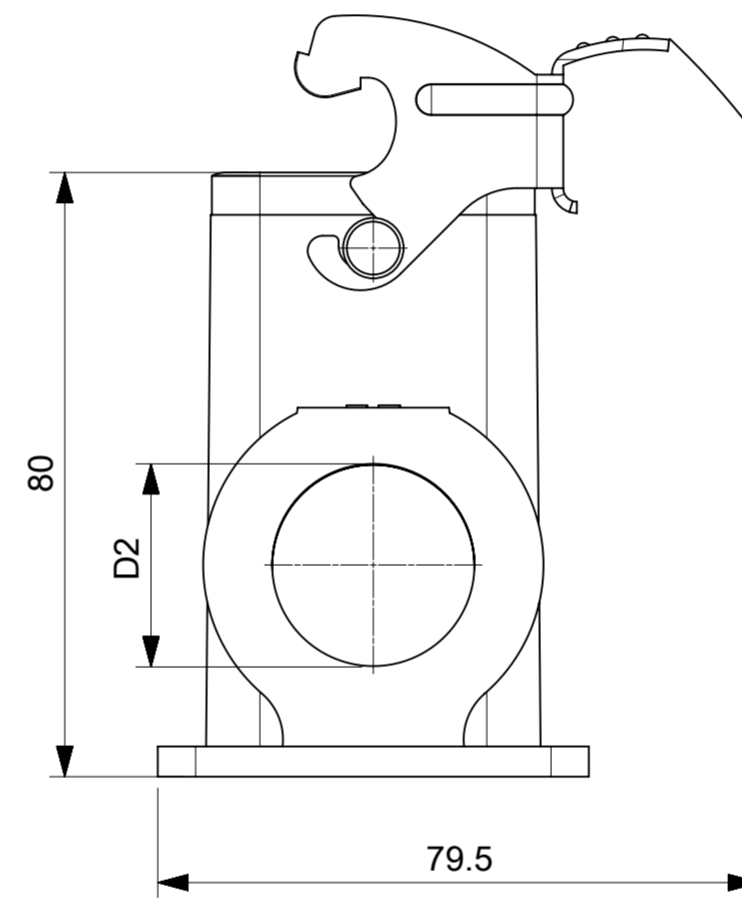
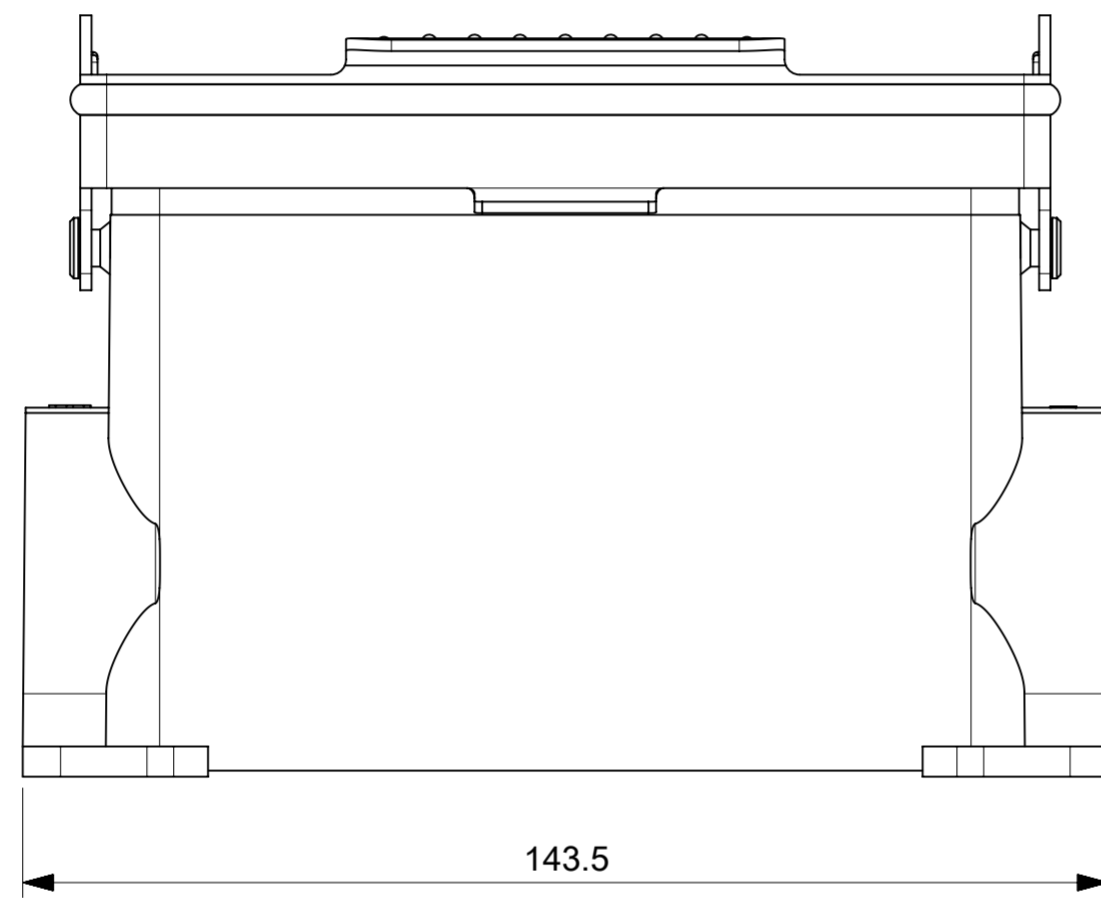
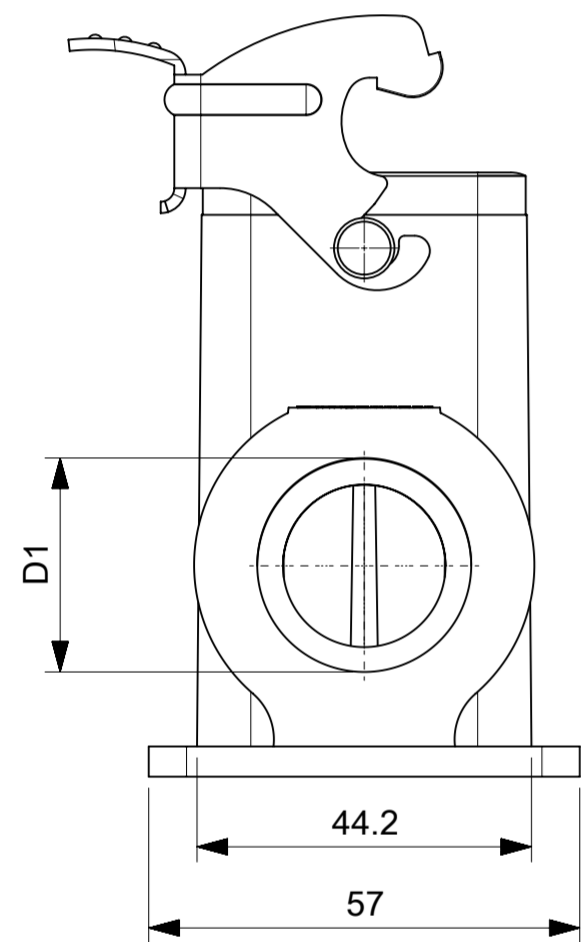
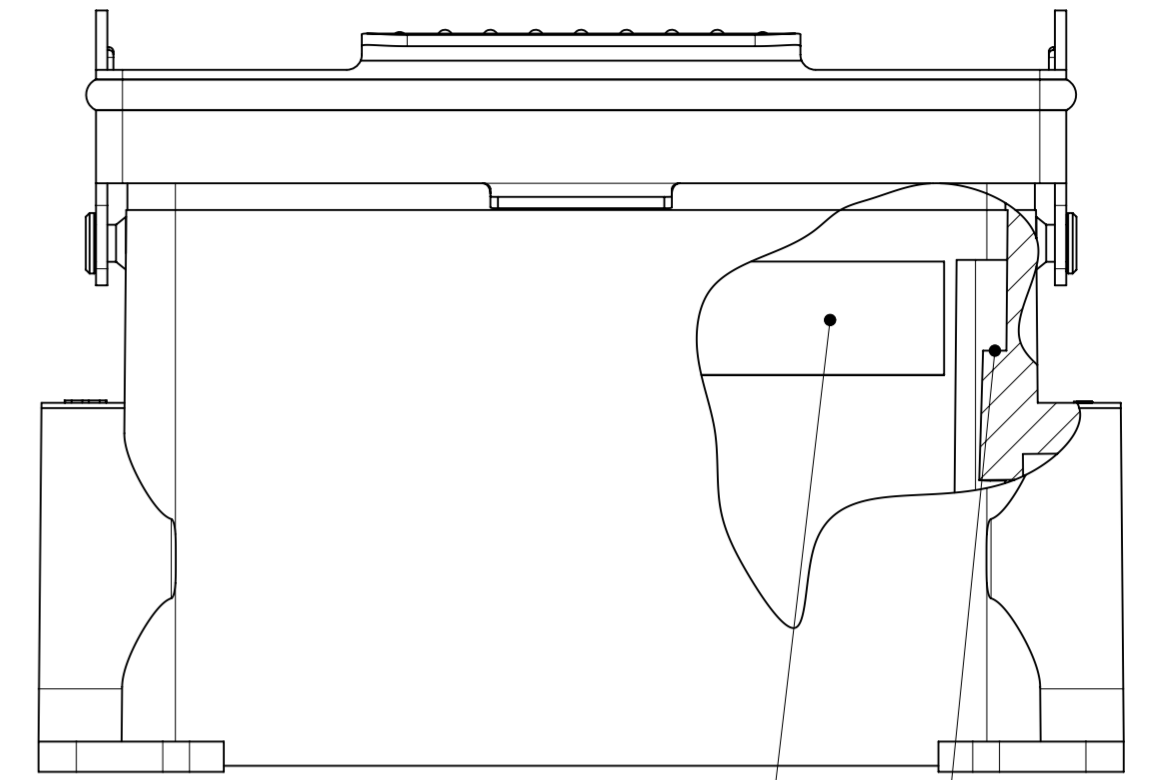
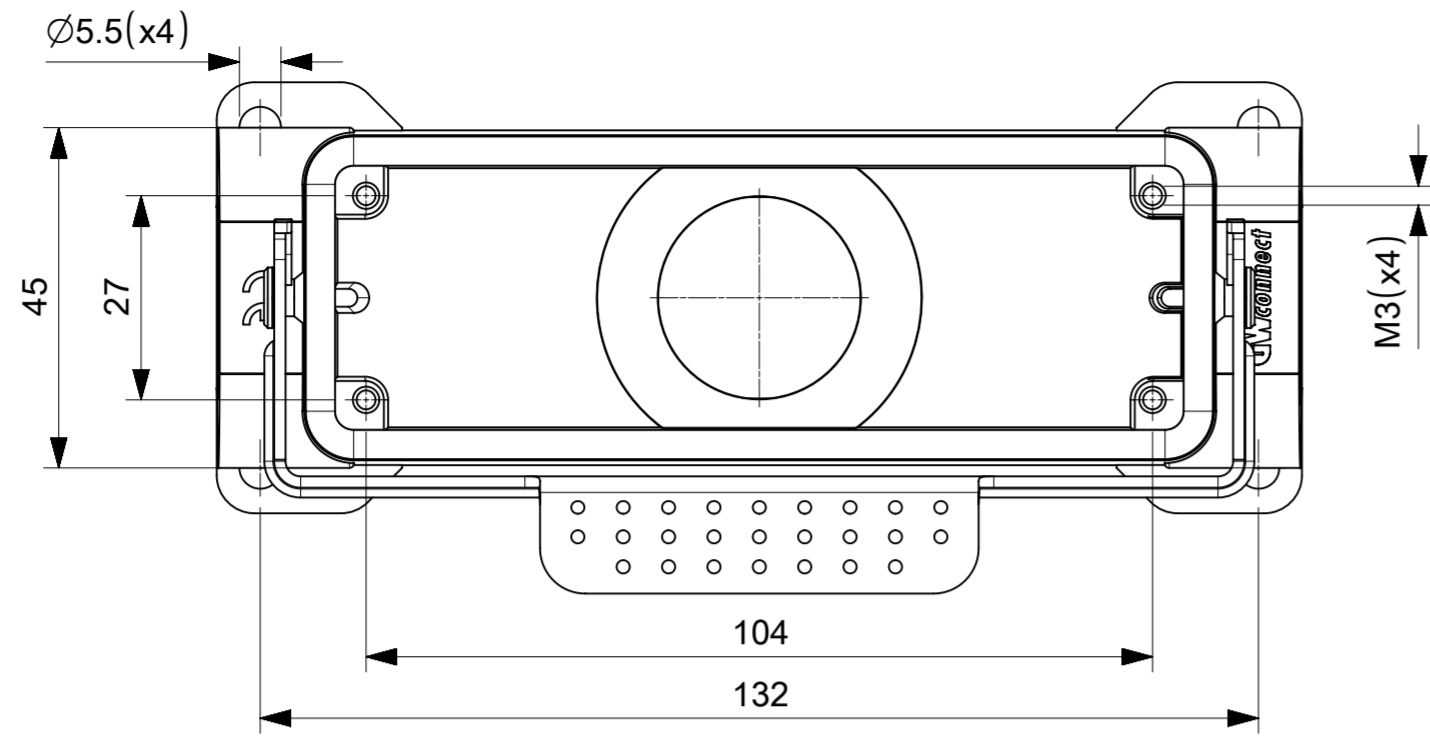


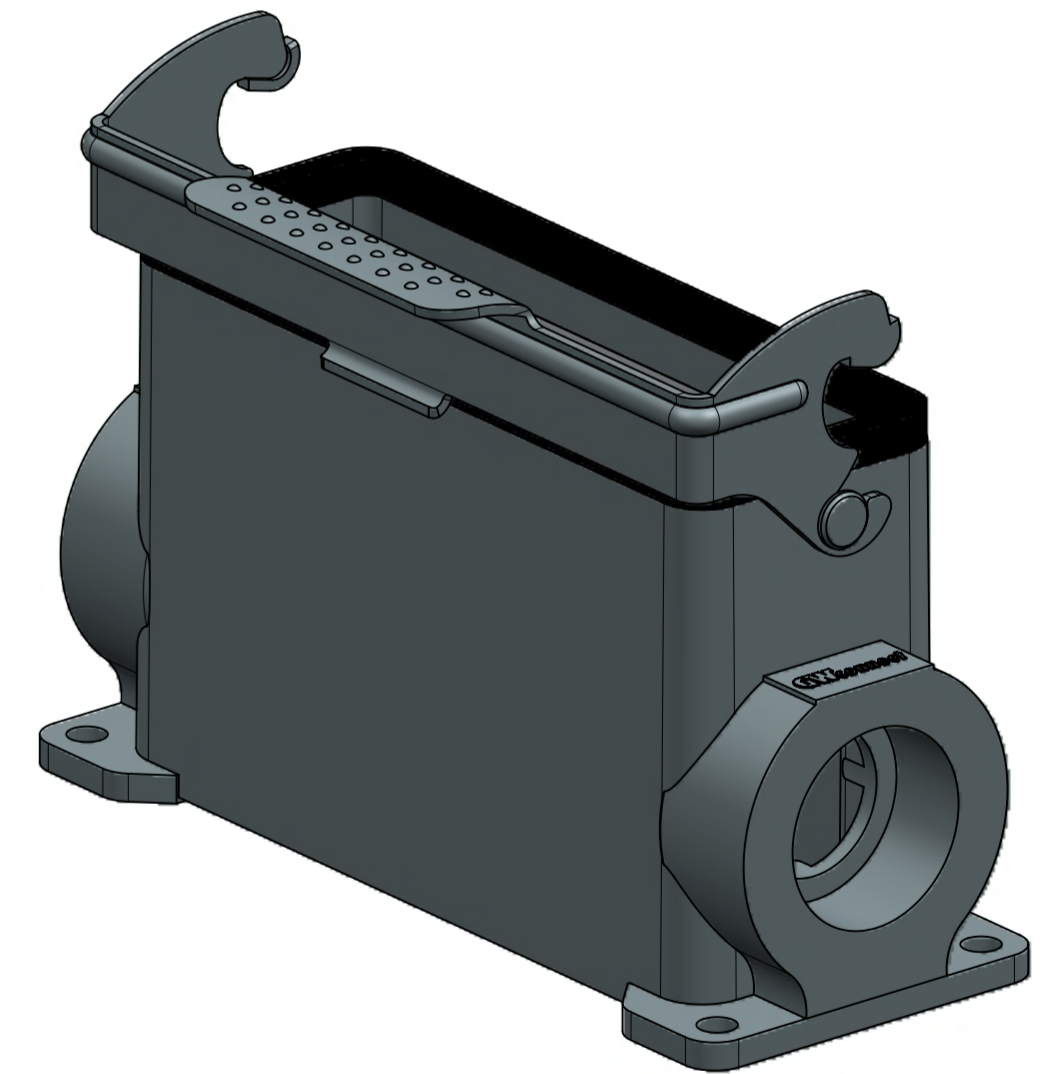
STANDARD VERSION

STANDARD HIGH VOLTAGE VERSION



INSULATING ADHESIVE TAPE
ON BOTH SIDES

SUITABLE FOR
HIGH VOLTAGE INSERTS



| SAP.No. | Eng.No | TYPE | D1 | D2 |
|-----------|-------------|-----------------------|-------|-------|
| 936013905 | 7824.7178.0 | STANDARD | M 32 | - |
| 936013907 | 7824.7179.0 | STANDARD | M 32 | M 32 |
| 936013910 | 7824.7180.0 | STANDARD | M 40 | - |
| 936013912 | 7824.7181.0 | STANDARD | M 40 | M 40 |
| 936013915 | 7824.7182.0 | STANDARD | Pg 21 | - |
| 936013917 | 7824.7183.0 | STANDARD | Pg 21 | Pg 21 |
| 936013920 | 7824.7184.0 | STANDARD | Pg 29 | - |
| 936013922 | 7824.7185.0 | STANDARD | Pg 29 | Pg 29 |
| 936013906 | 7824.7178.2 | STANDARD HIGH VOLTAGE | M 32 | - |
| 936013909 | 7824.7179.2 | STANDARD HIGH VOLTAGE | M 32 | M 32 |
| 936013911 | 7824.7180.2 | STANDARD HIGH VOLTAGE | M 40 | - |
| 936013914 | 7824.7181.2 | STANDARD HIGH VOLTAGE | M 40 | M 40 |
| 936013916 | 7824.7182.2 | STANDARD HIGH VOLTAGE | Pg 21 | - |
| 936013919 | 7824.7183.2 | STANDARD HIGH VOLTAGE | Pg 21 | Pg 21 |
| 936013921 | 7824.7184.2 | STANDARD HIGH VOLTAGE | Pg 29 | - |
| 936013924 | 7824.7185.2 | STANDARD HIGH VOLTAGE | Pg 29 | Pg 29 |

| | | | | |
|---------|---|------------------------|------------------------|------------|
| SYMBOLS | THIS DRAWING CONTAINS INFORMATION THAT IS PROPRIETARY TO MOLEX ELECTRONIC TECHNOLOGIES, LLC AND SHOULD NOT BE USED WITHOUT WRITTEN PERMISSION | | | |
| | DIMENSION UNITS | SCALE | CURRENT REV DESC: | |
| ▽ = 0 | mm | 1:1 | EC NO: 177920 | |
| ▽ = 0 | GENERAL TOLERANCES (UNLESS SPECIFIED) | | DRWN: AKHEMIRI | 2018/06/05 |
| ▽ = 0 | ANGULAR TOL | ± ° | CHK'D: DMERONI | 2018/06/06 |
| ▽ = 0 | 4 PLACES | ± | APPR: AMELZI | 2018/06/12 |
| ▽ = 0 | 3 PLACES | ± | INITIAL REVISION: | |
| ▽ = 0 | 2 PLACES | ± | DRWN: AKHEMIRI | 2018/05/24 |
| ▽ = 0 | 1 PLACE | ± | APPR: AMELZI | 2018/06/12 |
| ▽ = 0 | 0 PLACES | ± | FIRST ANGLE PROJECTION | |
| ▽ = 0 | DRAFT WHERE APPLICABLE MUST REMAIN WITHIN DIMENSIONS | FIRST ANGLE PROJECTION | DRAWING | SERIES |
| | | | A2-SIZE | 93601 |

| | | | |
|--|----------------|--------------|----------|
| molex | | | |
| 24B STANDARD AND HIGH VOLTAGE SURFACE MOUNTING HOUSING 1 LEVER HIGH CONSTRUCTION | | | |
| PRODUCT CUSTOMER DRAWING | | | |
| DOCUMENT NUMBER | DOC TYPE | DOC PART | REVISION |
| 936013916 | PSD | 000 | A |
| MATERIAL NUMBER | CUSTOMER | SHEET NUMBER | |
| SEE TABLE | GENERAL MARKET | 1 OF 1 | |