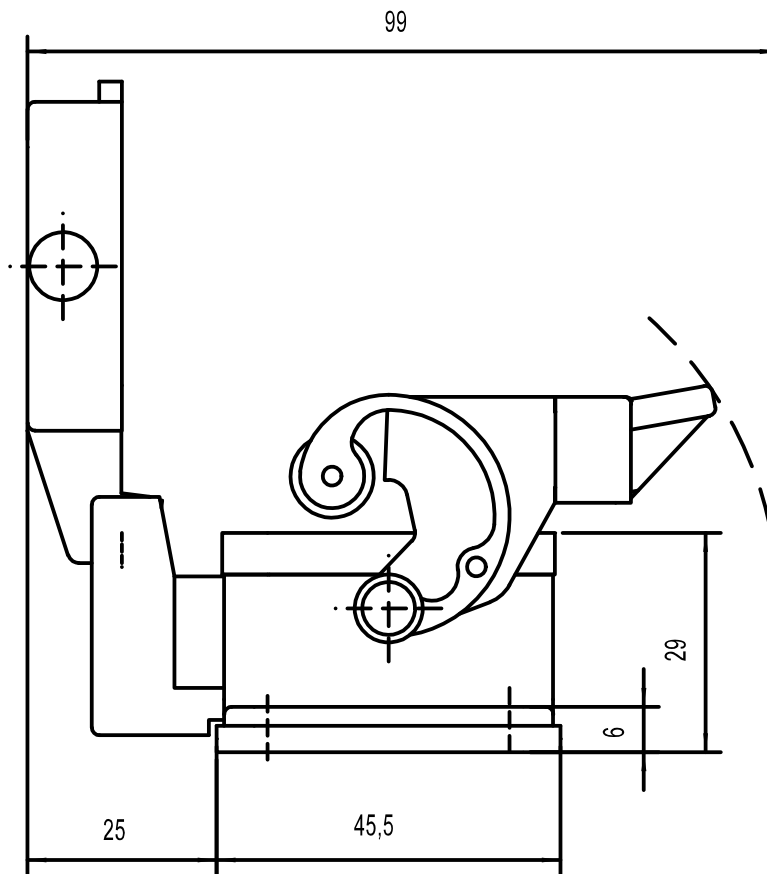
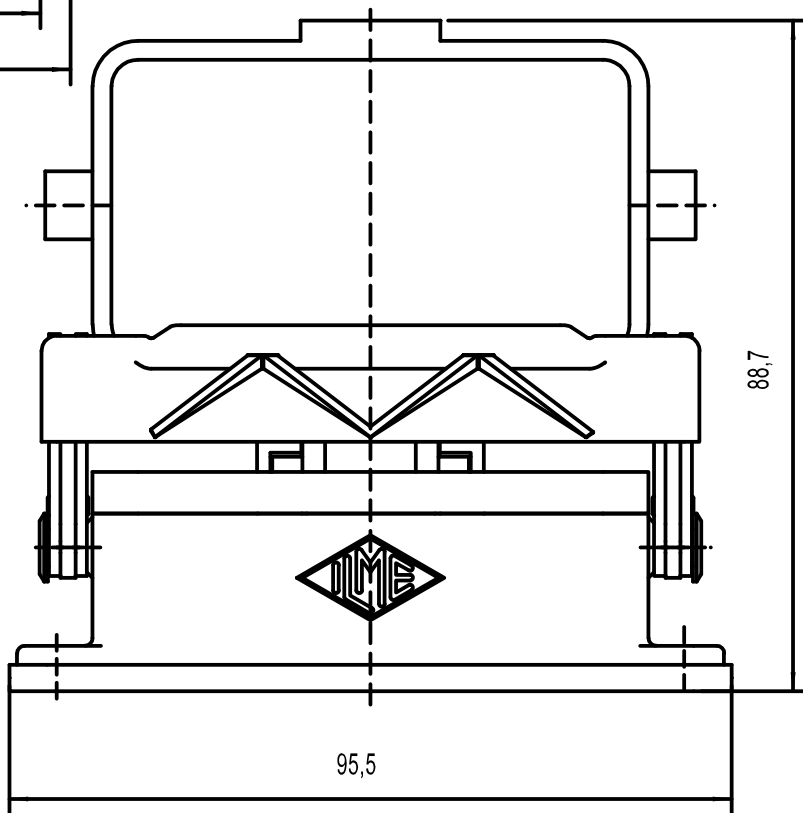
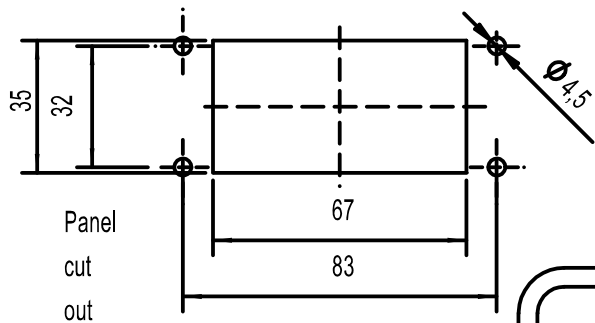


Diritti riservati All rights reserved



|       |            |                          |       |  |
|-------|------------|--------------------------|-------|--|
|       |            |                          |       |  |
|       |            |                          |       |  |
|       |            |                          |       |  |
|       |            |                          |       |  |
| Date  | 10.01.2007 | CHI 10 LS                | Scale |  |
| Sign. |            | bulkhead h. 1 lev.+cover | 1:1   |  |