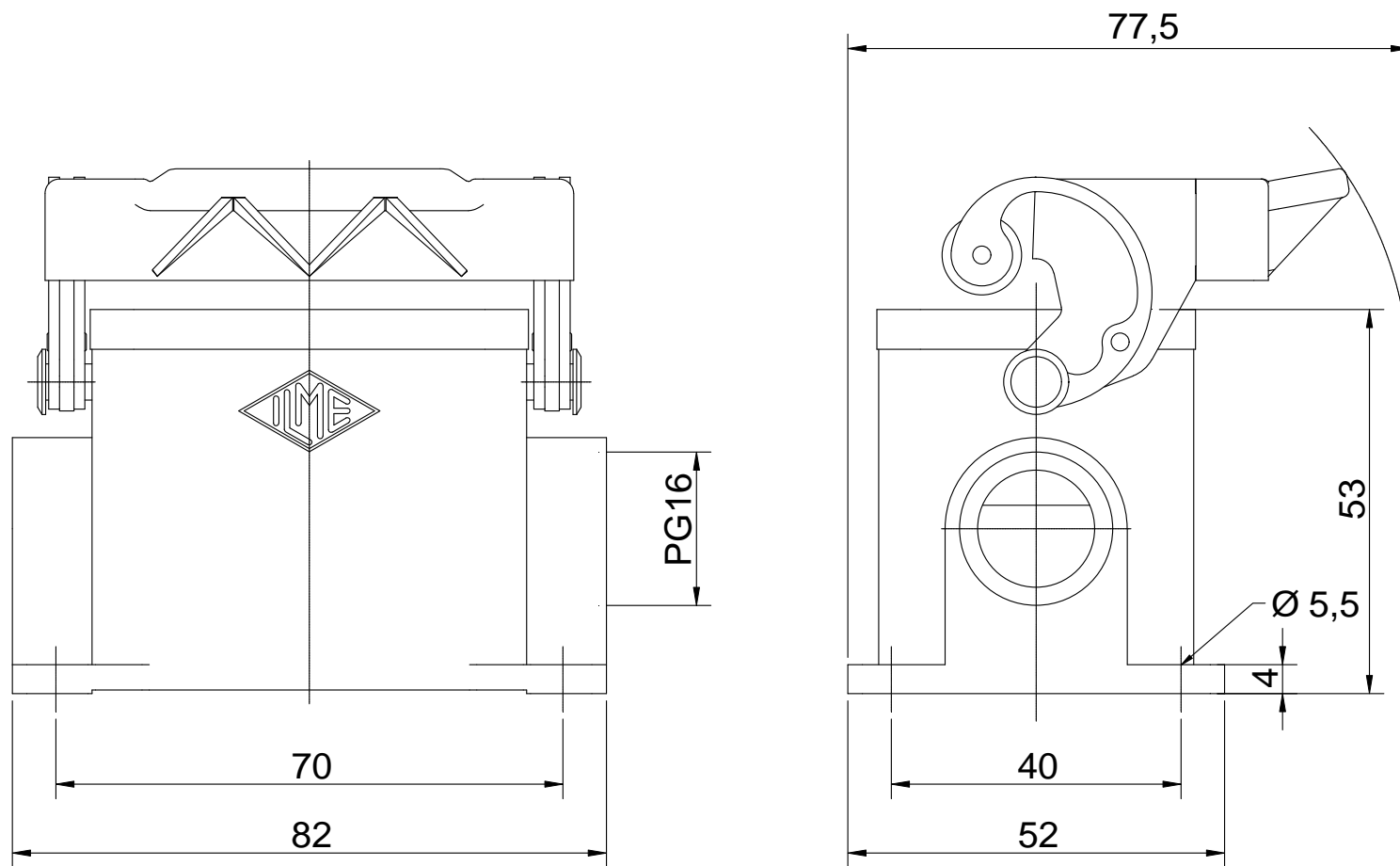



Diritti riservati All rights reserved



Date 10.01.2007	CHP 06 L	Scale	
Sign.	surface mounting housing 1 lev. PG16	1:1	