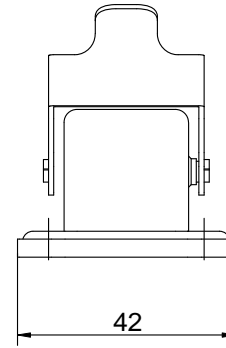
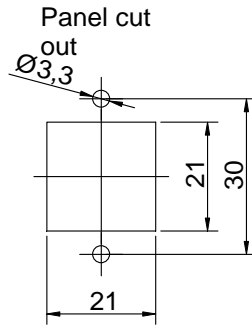
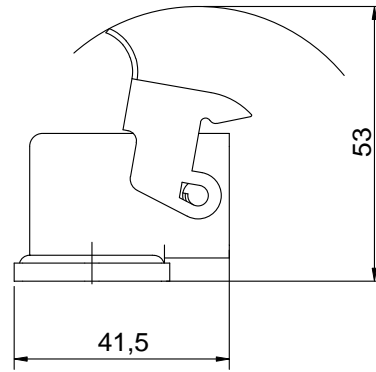
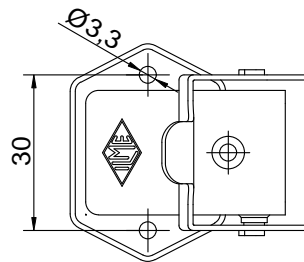


Diritti riservati All rights reserved



Date	23.10.2006	CKA 03 IA	Scale	
Sign.		metal angled bulkh. hous. steel 1 lev.	1:1	