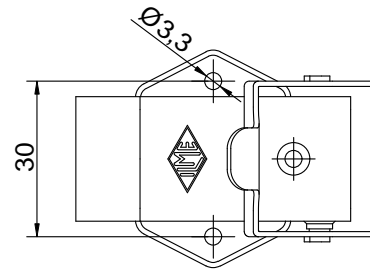
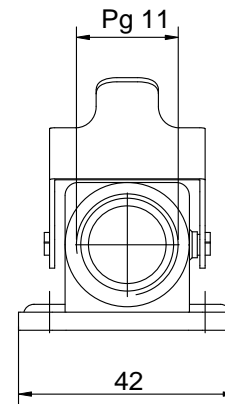
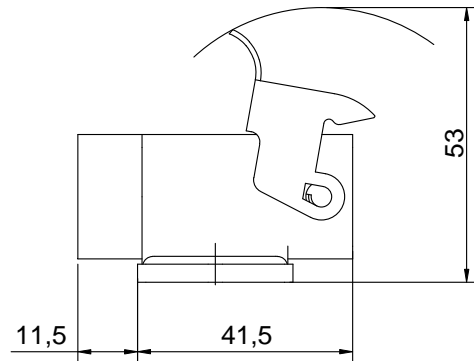
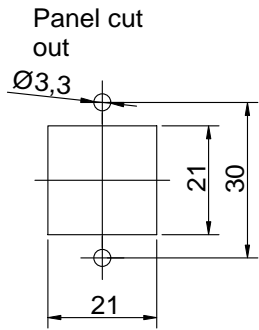


Diritti riservati All rights reserved



Date 23.10.2006

Sign.

CKA 03 IAPS

metal angled bulkh.h.steel 1 lev. PG111:1

Scale

