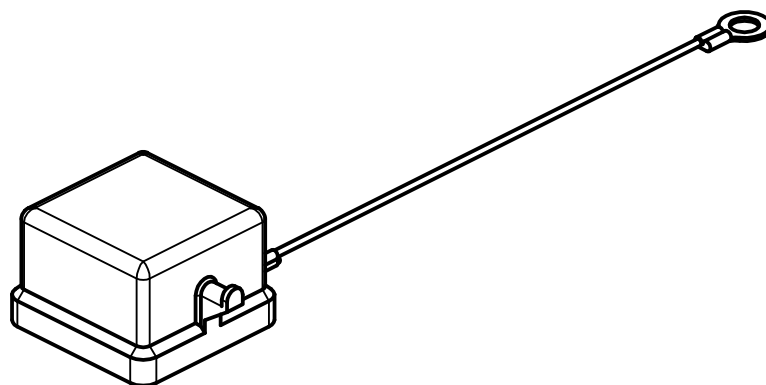


1

2

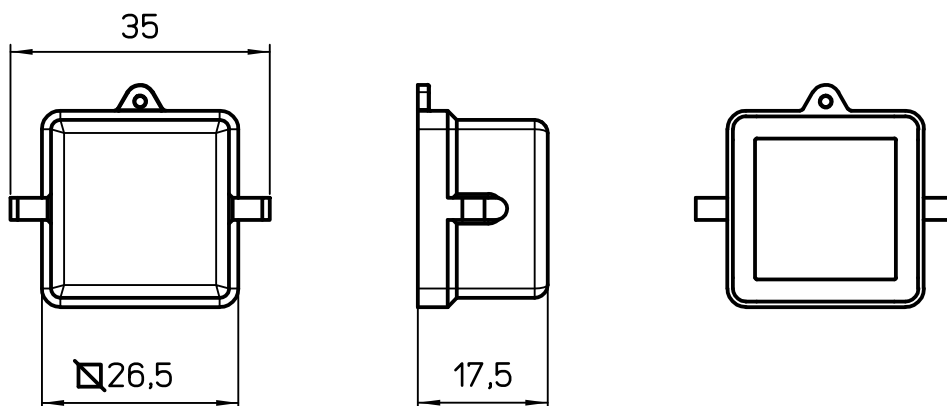
A

A



B

B



C

C

|  |  |  |  |
|--|--|--|--|
|  |  |  |  |
|  |  |  |  |
|  |  |  |  |
|  |  |  |  |

|                  |      |   |       |
|------------------|------|---|-------|
| REV.             | DATE | SIGNATURE   |       |
| Dimensions in mm |      | Simplified representation with dimensions without tolerance |       |
| Original Size A4 |      | CKH 03 CAS  | Scale |
| Date 23/06/20    |      |   | 1:1   |
| Sign. B. Pitasi  |      |   |       |

1

2

All rights reserved

Dritti riservati