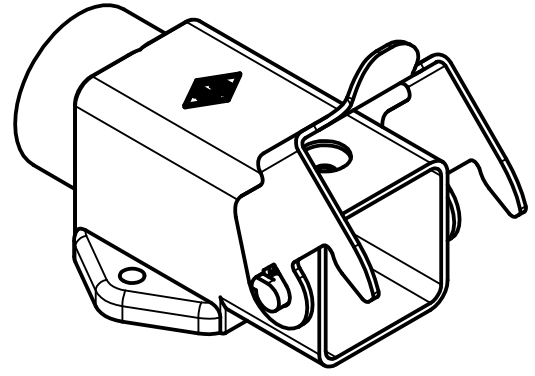


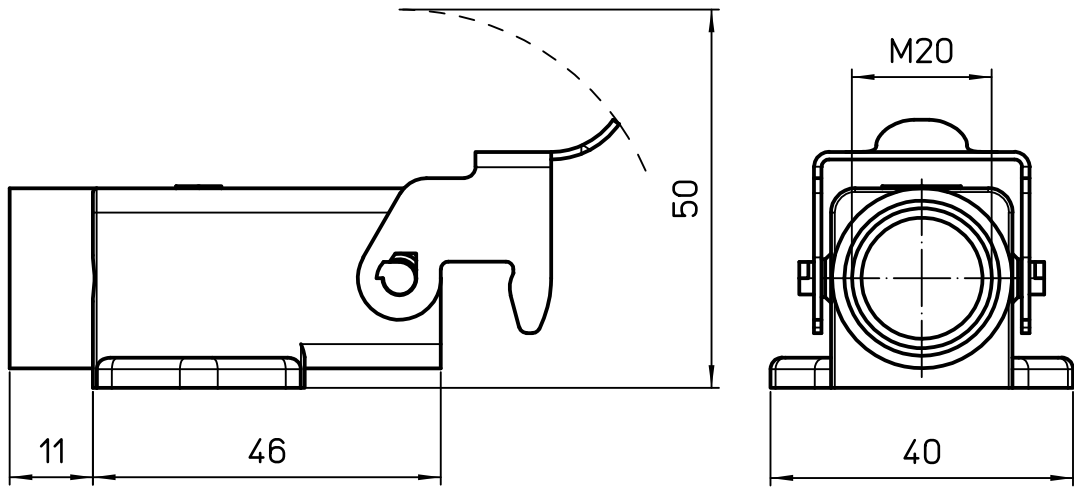
A

A



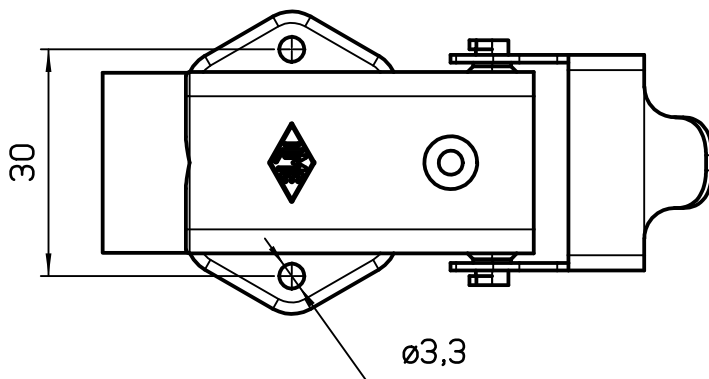
B

B



C

C



Diritti riservati All rights reserved

REV.	DATE	SIGNATURE
------	------	-----------



Dimensions in mm

Simplified representation with dimensions without tolerance

Original Size A4

Date 13/03/23

Sign. G.Renna

MKA AP20

Angled bulkhead mounting housing, size "21.21", M20 cable entry, galvanized steel lever

Scale 1:1

