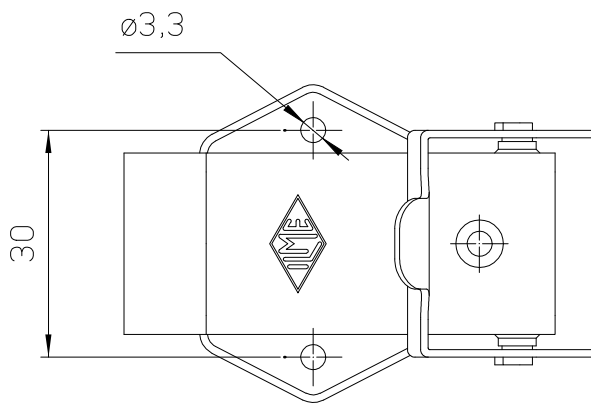
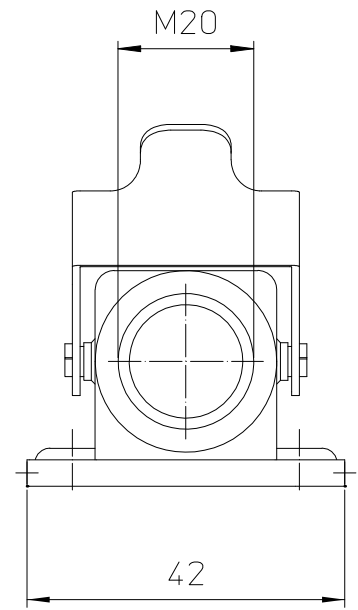
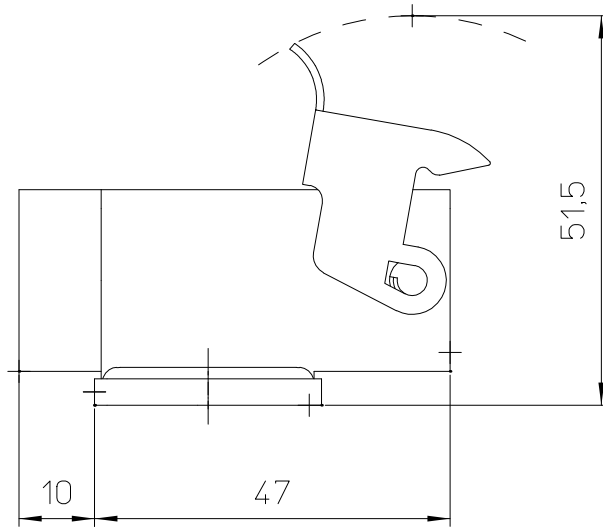
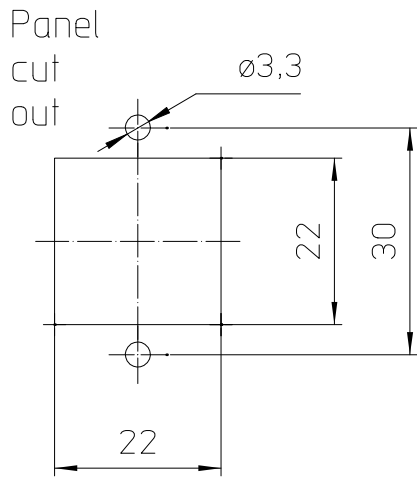


Diritti riservati All rights reserved




dimensions in mm	<b>MKA IAP20</b> Metal angled bulkhead housing, galvanized steel lever, M20	Scale	
Date 01/09/14		1:1	
Sign. Radice			