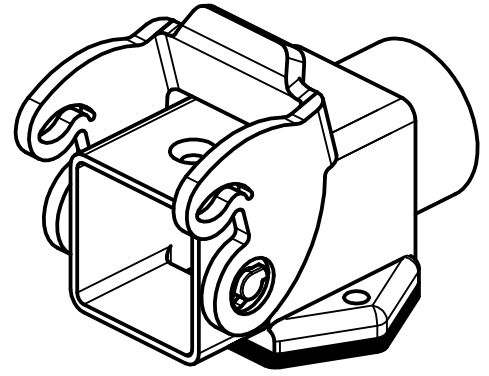
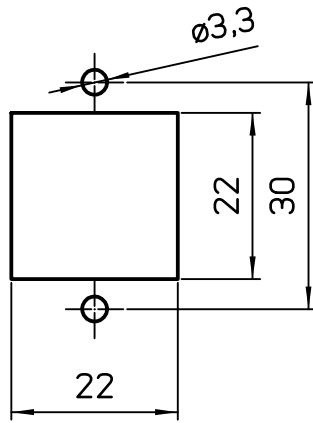


Panel cut out

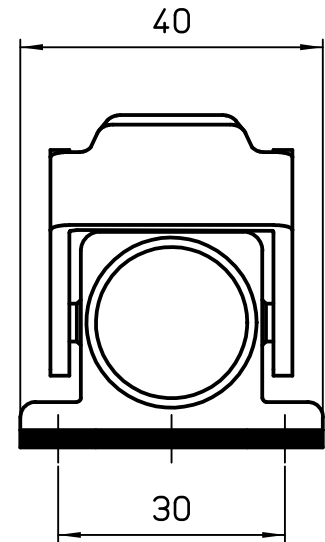
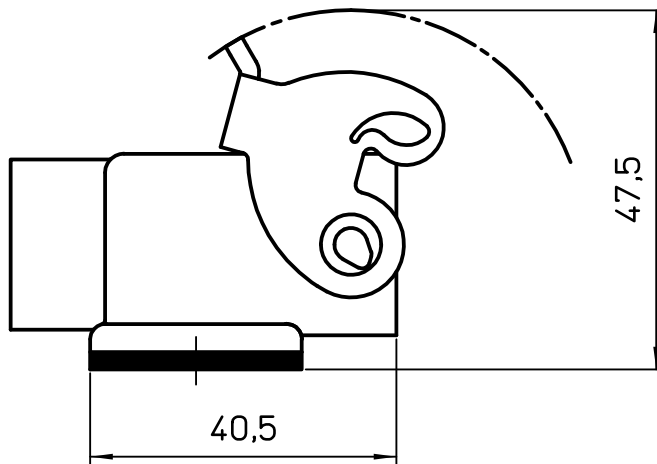


A

A

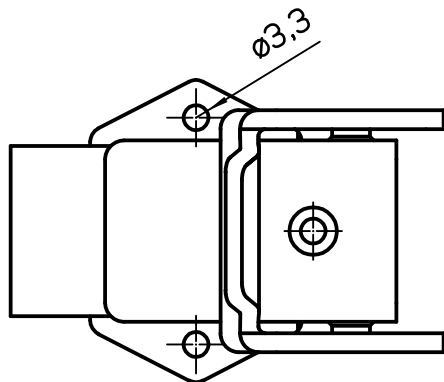
All rights reserved

Diritti riservati



B

B



C

C

REV.	DATE	SIGNATURE

<p>Dimensions in mm</p>	Simplified representation with dimensions without tolerance			
	Original Size A4	MKH IAP20		Scale
	Date 23/06/20	Insulating angled bulkhead mounting housing M20 - HYGIENIC		1:1
Sign. B. Pitasi				