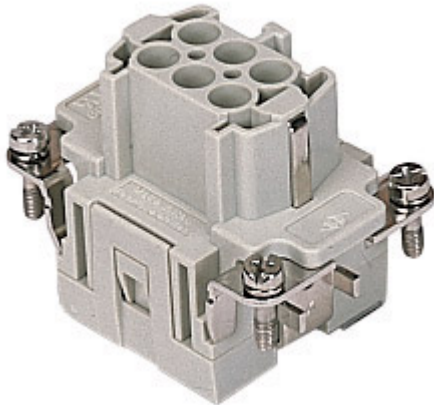



Part number

# CCEF 06



Female insert, CCE series, crimp connection, 6 poles + PE, 16 A 500 V 6 kV 3, size "44.27"

| Product description                           |   |
|---|---|
| <b>Product type</b>                           | Insert  |
| <b>Series</b>                                 | CCE   |
| <b>Connection type</b>                        | Crimp connection  |
| <b>Gender</b>                                 | Female  |
| <b>N. of poles</b>                            | 6 poles +  |
| <b>Size</b>                                   | Size 44.27  |
| Technical data                                |   |
| <b>Current</b>                                | 16 A  |
| <b>Voltage</b>                                | 500 V   |
| <b>Rated impulse withstand voltage</b>        | 6 kV  |
| <b>Pollution degree</b>                       | 3   |
| <b>Rated voltage according to UL/CSA</b>      | 600 V   |
| <b>IP degree of protection</b>                | IP20 without enclosure, IP65/IP66/IP68/IP69 with enclosure                                  |
| Further technical details                     |   |
| <b>Characteristics according to EN 61984</b>  | 16A 500V 6kV 3; 16A 400/690V 6kV 2  |
| <b>Mating cycles</b>                          | ≥ 500   |
| <b>Insulation resistance</b>                  | ≥ 10 GΩ   |
| <b>Contact resistance</b>                     | ≤ 1 mΩ  |
| <b>Weight</b>                                 | 38,70 g   |
| <b>Operating temperature range (min, max)</b> | -40 °C ... +125 °C  |
| <b>Conductors stripping length</b>            | 7 mm  |
| <b>UL 94 flammability rating</b>              | V-0   |
| <b>Torque for main contact</b>                | M4: 1,2 Nm, 10,6 lb.in (Ph2 or 1,0x5,5mm )  |
| <b>Tightening torque for PE connection</b>    | M4: 1,2 Nm, 10,6 lb.in (Ph2 or 1,0x5,5mm )  |
| <b>Tightening torque for fixing screws</b>    | M3: 0.5 Nm; 4.4 lb.in (Ph1 or 0.8x4 mm)   |

| Material properties              |                        |
|----------------------------------|------------------------|
| <b>Main material</b>             | Polycarbonate (PC)     |
| <b>Colour</b>                    | RAL 7032 grey          |
| <b>RoHs conformity</b>           | Compliant              |
| <b>China RoHs - EFUP</b>         | E                      |
| <b>REACH SVHC substances</b>     | No                     |
| Approvals / Standards            |                        |
| <b>Reference standard</b>        | EN 61984:2009-06       |
| <b>Certifications</b>            | CSA, CQC, DNV, BV, EAC |
| <b>UL</b>                        | ECBT2, PVVA2           |
| <b>cUL</b>                       | PVVA8                  |
| General ordering information     |                        |
| <b>EAN13 code</b>                | 8015747112604          |
| <b>eCl@ss 8.1</b>                | 27440205               |
| <b>ETIM 7.0</b>                  | EC000438               |
| Packaging Information            |                        |
| <b>Packaging length</b>          | 270,00 mm              |
| <b>Packaging height</b>          | 75,00 mm               |
| <b>Packaging width</b>           | 180,00 mm              |
| <b>Packaging weight</b>          | 2,71 kg                |
| <b>Packaging volume</b>          | 3,65 dm <sup>3</sup>   |
| <b>Packaging description</b>     | Carton box             |
| <b>Packaging quantity</b>        | 60 Pcs                 |
| <b>Packaging EAN code</b>        | 8015747112727          |
| <b>Sub-packaging length</b>      | 104,00 mm              |
| <b>Sub-packaging height</b>      | 36,00 mm               |
| <b>Sub-packaging width</b>       | 180,00 mm              |
| <b>Sub-packaging weight</b>      | 0,45 kg                |
| <b>Sub-packaging volume</b>      | 0,67 dm <sup>3</sup>   |
| <b>Sub-packaging description</b> | Carton tray            |
| <b>Sub-packaging quantity</b>    | 10 Pcs                 |
| <b>Sub-packaging EAN barcode</b> | 8015747112710          |

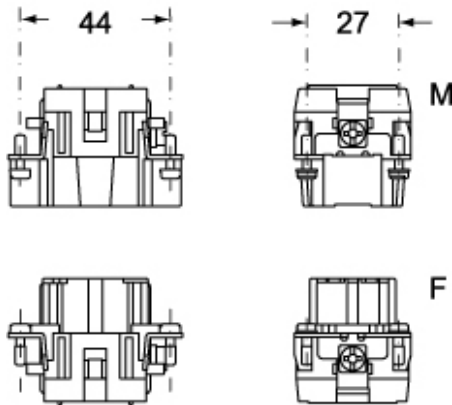
Part number

# CCEF 06

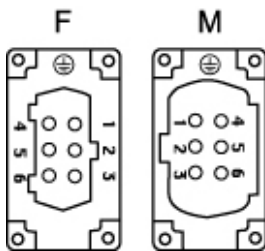


## Catalogue drawings

### CCEM 06

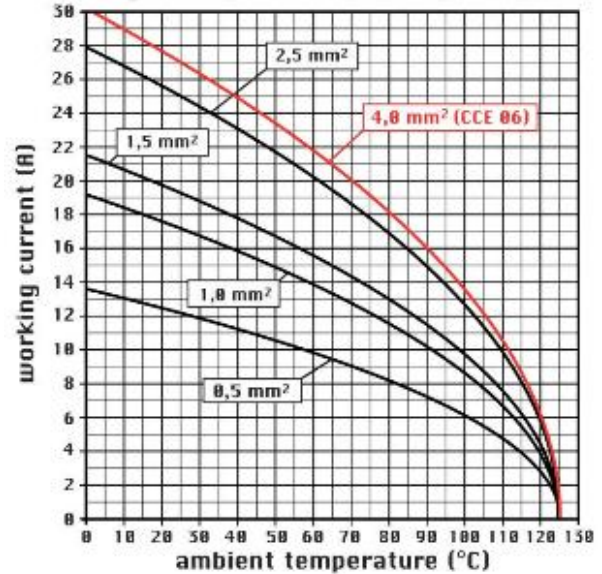


### CCEF 06



## Catalogue drawings

diagram CN, CNE and CCE 06 poles



## Notes

CCEF/M 06 inserts:

- characteristics according to EN 61984:  
(16A 500V 6kV 3)  
(16A 400/690V 6kV 2)
- rated voltage according to UL/CSA: 600V
- insulation resistance: > 10 GOhm
- ambient temperature limit: -40 °C ... +125 °C
- are made of self-extinguishing thermoplastic resin UL 94 V0
- mechanical life: > 500 cycles
- contact resistance: < 1 mOhm
- enclosures: size "44.27":  
C-TYPE IP65/IP66  
C7 IP67 stainless steel lever  
V-TYPE IP65/IP66  
stainless steel lever  
T-TYPE IP65 insulating  
JEI zinc-plated steel lever  
BIG hoods  
W-TYPE aggressive environments.  
EMC  
central lever  
IP68

- panel supports: page:  
COB

Dimensions shown in mm are not binding and may be changed without notice.

## California Proposition 65 Information



### **WARNING**

This product can expose you to nickel compounds, known to the State of California to cause cancer and/or reproductive toxicity. For more information go to [www.P65Warnings.ca.gov](http://www.P65Warnings.ca.gov).

---