

Part number

CDAF 10



Female insert, CDA series, screw terminal connection, 10 poles + PE, 16 A 250 V 4 kV 3, size "49.16", with plate

| Product description | |
|---|--|
| Product type | Insert |
| Series | CDA |
| Connection type | Screw terminal connection |
| Gender | Female |
| N. of poles | 10 poles + |
| Size | Size 49.16 |
| Specification | With plate, also for non-prepared conductors |
| Technical data | |
| Current | 16 A |
| Voltage | 250 V |
| Rated impulse withstand voltage | 4 kV |
| Pollution degree | 3 |
| Rated voltage according to UL/CSA | 600 V |
| Wire cross-section | 0,75 mm ² - 4,00 mm ² |
| AWG size | 18 - 12 |
| Contact type | Turned silver plated |
| IP degree of protection | IP20 without enclosure, IP65/IP66 with enclosure |
| Further technical details | |
| Characteristics according to EN 61984 | 16A 250V 4kV 3; 16A 230/400V 4kV 2 |
| Mating cycles | ≥ 500 |
| Insulation resistance | ≥ 10 GΩ |
| Contact resistance | ≤ 1 mΩ |
| Weight | 44,00 g |
| Operating temperature range (min, max) | -40 °C ... +125 °C |
| Conductors stripping length | 7 mm |
| UL 94 flammability rating | V-0 |
| Torque for main contact | M3: 0,5 Nm; 4,4 lb.in (Ph0 or 0,6 x 3,5 mm) |
| Tightening torque for PE connection | M3,5: 0,8 Nm; 7,1 lb.in (Ph1 or 0,8 x 5,5 mm) |

| Material properties | |
|----------------------------------|--|
| Main material | Polycarbonate (PC) |
| Other materials | Contacts: copper alloy |
| Colour | RAL 7032 grey |
| RoHs conformity | Compliant with exemption 6(c): copper alloy containing up to 4% lead by weight |
| China RoHs - EFUP | 50 |
| REACH SVHC substances | Yes Lead |
| SCIP number | 1a9c93ff-0445-4a16-81e3-1609ac5274d6 |
| Approvals / Standards | |
| Reference standard | EN 61984:2009-06 |
| Certifications | CSA, CQC, DNV, BV, EAC |
| UL | ECBT2 |
| cUL | ECBT8 |
| General ordering information | |
| EAN13 code | 8015747012966 |
| eCl@ss 8.1 | 27440205 |
| ETIM 7.0 | EC000438 |
| Packaging Information | |
| Packaging weight | 1,52 kg |
| Packaging volume | 3,29 dm ³ |
| Packaging description | Carton box |
| Packaging quantity | 30 Pcs |
| Packaging EAN code | 8015747012973 |
| Sub-packaging length | 118,00 mm |
| Sub-packaging height | 32,00 mm |
| Sub-packaging width | 60,00 mm |
| Sub-packaging weight | 0,25 kg |
| Sub-packaging volume | 0,23 dm ³ |
| Sub-packaging description | Carton tray |
| Sub-packaging quantity | 5 Pcs |
| Sub-packaging EAN barcode | 8015747012980 |

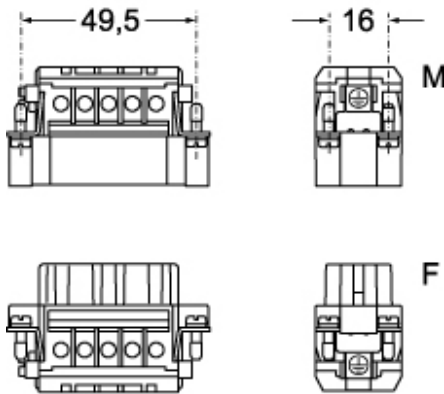
Part number

CDAF 10

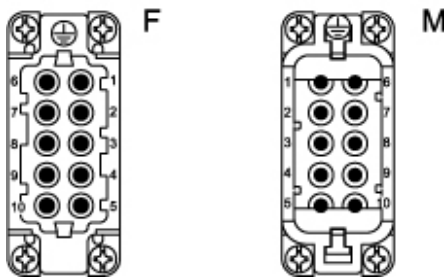


Catalogue drawings

CDAM 10

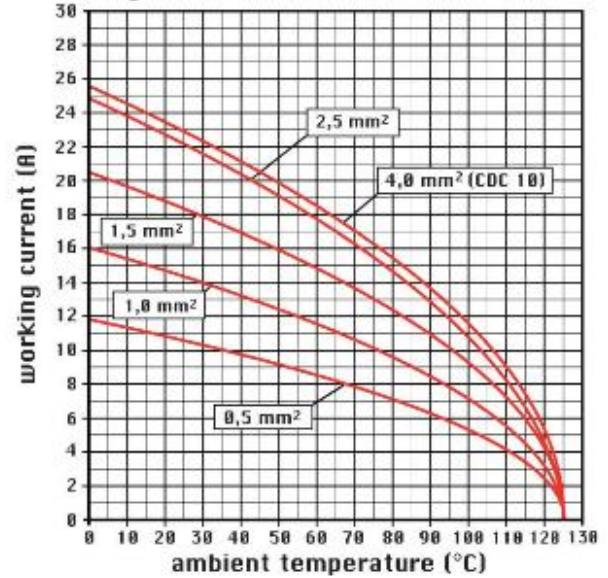


CDAF 10



Catalogue drawings

diagram CDA and CDC 10 poles



Notes

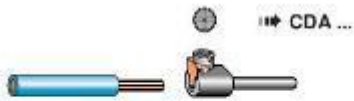
Dimensions shown in mm are not binding and may be changed without notice.

California Proposition 65 Information



WARNING

This product can expose you to lead and its compounds, known to the State of California to cause cancer and/or reproductive toxicity. For more information go to www.P65Warnings.ca.gov.



CDA ... X : for conductors with bush terminal

California Proposition 65 Information



WARNING

This product can expose you to lead and its compounds, known to the State of California to cause cancer and/or reproductive toxicity. For more information go to www.P65Warnings.ca.gov.
