

Part number

CDAF 16 XN



Female insert, CDA series, screw terminal connection, 16 poles + PE (17-32), 16 A 250 V 4 kV 3, size "66.40", without plate

| Product description | |
|---|--|
| Product type | Insert |
| Series | CDA |
| Connection type | Screw terminal connection |
| Gender | Female |
| N. of poles | 32 poles + |
| Size | Size "66.40" |
| Specification | Without plate, for prepared conductors |
| Technical data | |
| Current | 16 A |
| Voltage | 250 V |
| Rated impulse withstand voltage | 4 kV |
| Pollution degree | 3 |
| Rated voltage according to UL/CSA | 600 V |
| Wire cross-section | 0,25 mm ² - 2,50 mm ² |
| AWG size | 24 - 14 |
| Contact type | Turned silver plated |
| Pole numbering system | 17-32 |
| IP degree of protection | IP20 without enclosure, IP65/IP66 with enclosure |
| Further technical details | |
| Characteristics according to EN 61984 | 16A 250V 4kV 3; 16A 230/400V 4kV 2 |
| Mating cycles | ≥ 500 |
| Insulation resistance | ≥ 10 GΩ |
| Contact resistance | ≤ 1 mΩ |
| Weight | 61,00 g |
| Operating temperature range (min, max) | -40 °C ... +125 °C |
| UL 94 flammability rating | V-0 |
| Torque for main contact | M3: 0,5 Nm; 4,4 lb.in (Ph0 or 0,6 x 3,5 mm) |
| Tightening torque for PE connection | M3,5: 0,8 Nm; 7,1 lb.in (Ph1 or 0,8 x 5,5 mm) |

| Material properties | |
|----------------------------------|--|
| Main material | Polycarbonate (PC) |
| Other materials | Contacts: copper alloy |
| Colour | RAL 7032 grey |
| RoHs conformity | Compliant with exemption 6(c): copper alloy containing up to 4% lead by weight |
| China RoHs - EFUP | 50 |
| REACH SVHC substances | Yes Lead |
| SCIP number | 1a9c93ff-0445-4a16-81e3-1609ac5274d6 |
| Approvals / Standards | |
| Reference standard | EN 61984:2009-06 |
| Certifications | CSA, CQC, DNV, BV, EAC |
| UL | ECBT2 |
| cUL | ECBT8 |
| General ordering information | |
| EAN13 code | 8015747013147 |
| eCl@ss 8.1 | 27440205 |
| ETIM 7.0 | EC000438 |
| Packaging Information | |
| Packaging length | 260,00 mm |
| Packaging height | 120,00 mm |
| Packaging width | 140,00 mm |
| Packaging weight | 2,04 kg |
| Packaging volume | 4,37 dm ³ |
| Packaging description | Carton box |
| Packaging quantity | 30 Pcs |
| Packaging EAN code | 8015747013154 |
| Sub-packaging length | 118,00 mm |
| Sub-packaging height | 32,00 mm |
| Sub-packaging width | 76,00 mm |
| Sub-packaging weight | 0,34 kg |
| Sub-packaging volume | 0,29 dm ³ |
| Sub-packaging description | Carton tray |
| Sub-packaging quantity | 5 Pcs |
| Sub-packaging EAN barcode | 8015747013161 |

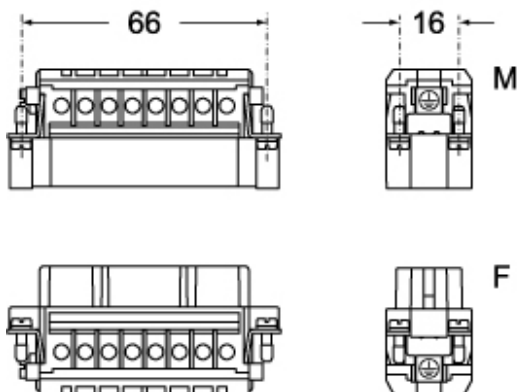
Part number

CDAF 16 XN

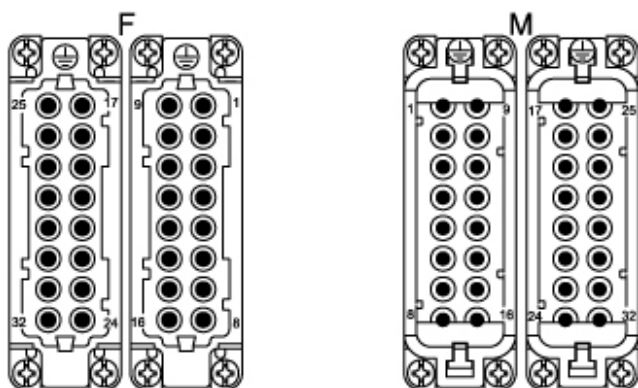


Catalogue drawings

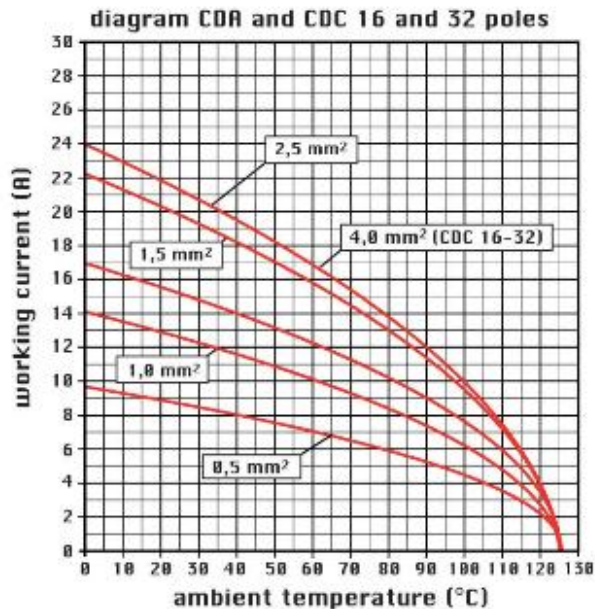
CDAM 16



CDAF 16



Catalogue drawings



Notes

CDAF/M 16 N/XN inserts:

- characteristics according to EN 61984:
(16A 250V 4kV 3)
(16A 230/400V 4kV 2)
- rated voltage according to UL/CSA: 600V
- insulation resistance: > 10 GOhm
- ambient temperature limit: -40 °C ... +125 °C
- are made of self-extinguishing thermoplastic resin UL 94 V0
- mechanical life: > 500 cycles
- contact resistance: < 1 mOhm

- Enclosures: size "66.40"
- C-TYPE IP65/IP66
- W-TYPE aggressive environments

Dimensions shown in mm are not binding and may be changed without notice.

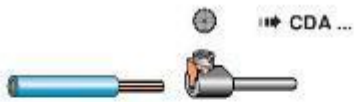
California Proposition 65 Information



WARNING

This product can expose you to lead and its compounds, known to the State of California to cause cancer and/or reproductive toxicity. For more information go to www.P65Warnings.ca.gov.

CDA ... : for non-prepared conductors



CDA ... X : for conductors with bush terminal

California Proposition 65 Information



WARNING

This product can expose you to lead and its compounds, known to the State of California to cause cancer and/or reproductive toxicity. For more information go to www.P65Warnings.ca.gov.
