

Part number

CDCF 10



Female insert, CDC series, crimp connection, 10 poles + PE, 16 A 250 V 4 kV 3, size "49.16"

Product description	
Product type	Insert
Series	CDC
Connection type	Crimp connection
Gender	Female
N. of poles	10 poles +
Size	Size 49.16
Technical data	
Current	16 A
Voltage	250 V
Rated impulse withstand voltage	4 kV
Pollution degree	3
Rated voltage according to UL/CSA	600 V
IP degree of protection	IP20 without enclosure, IP65/IP66 with enclosure
Further technical details	
Characteristics according to EN 61984	16A 250V 4kV 3; 16A 230/400V 4kV 2
Mating cycles	≥ 500
Insulation resistance	≥ 10 GΩ
Contact resistance	≤ 1 mΩ
Weight	28,00 g
Operating temperature range (min, max)	-40 °C ... +125 °C
UL 94 flammability rating	V-0
Tightening torque for PE connection	M3,5: 0,8 Nm; 7,1 lb.in (Ph1 or 0,8 x 5,5 mm)

Material properties	
Main material	Polycarbonate (PC)
Colour	RAL 7032 grey
RoHs conformity	Compliant
China RoHs - EFUP	E
REACH SVHC substances	No
Approvals / Standards	
Reference standard	EN 61984:2009-06
Certifications	CSA, CQC, DNV, BV, EAC
UL	ECBT2
cUL	ECBT8
General ordering information	
EAN13 code	8015747013383
eCl@ss 8.1	27440205
ETIM 7.0	EC000438
Packaging Information	
Packaging weight	1,03 kg
Packaging volume	3,29 dm ³
Packaging description	Carton box
Packaging quantity	30 Pcs
Packaging EAN code	8015747013390
Sub-packaging length	118,00 mm
Sub-packaging height	32,00 mm
Sub-packaging width	60,00 mm
Sub-packaging weight	0,17 kg
Sub-packaging volume	0,23 dm ³
Sub-packaging description	Carton tray
Sub-packaging quantity	5 Pcs
Sub-packaging EAN barcode	8015747013406

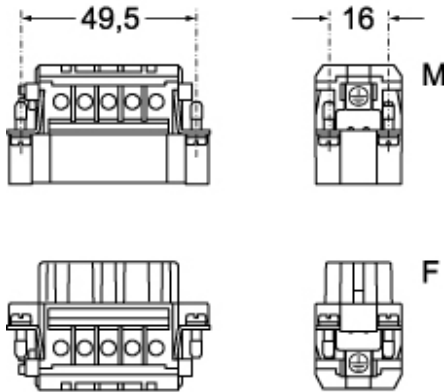
Part number

CDCF 10

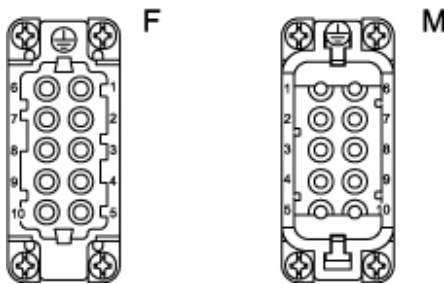


Catalogue drawings

CDCM 10

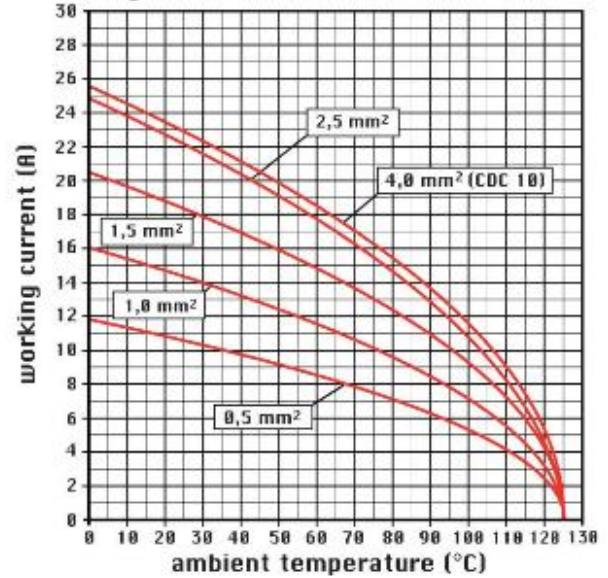


CDCF 10



Catalogue drawings

diagram CDA and CDC 10 poles



Notes

Dimensions shown in mm are not binding and may be changed without notice.

California Proposition 65 Information



WARNING

This product can expose you to nickel compounds, known to the State of California to cause cancer and/or reproductive toxicity. For more information go to www.P65Warnings.ca.gov.