


Part number

# CDDF 38



Female insert, CDD series, crimp connection, 38 poles + PE, 10 A 250 V 4 kV 2, size "66.16"

## Product description

<b>Product type</b>	Insert
<b>Series</b>	CDD
<b>Connection type</b>	Crimp connection
<b>Gender</b>	Female
<b>N. of poles</b>	38 poles + 
<b>Size</b>	Size 66.16

## Technical data

<b>Current</b>	10 A
<b>Voltage</b>	250 V
<b>Rated impulse withstand voltage</b>	4 kV
<b>Pollution degree</b>	2
<b>Rated voltage according to UL/CSA</b>	600 V
<b>IP degree of protection</b>	IP20 without enclosure, IP65/IP66 with enclosure

## Further technical details

<b>Characteristics according to EN 61984</b>	10A 250V 4kV 2
<b>Mating cycles</b>	≥ 500
<b>Insulation resistance</b>	≥ 10 GΩ
<b>Contact resistance</b>	≤ 3 mΩ
<b>Weight</b>	37,60 g
<b>Operating temperature range (min, max)</b>	-40 °C ... +125 °C
<b>UL 94 flammability rating</b>	V-0
<b>Tightening torque for PE connection</b>	M4: 1,2 Nm, 10,6 lb.in (Ph2 or 1,0x5,5mm )
<b>Tightening torque for fixing screws</b>	M3: 0.5 Nm; 4.4 lb.in (Ph1 or 0.8x4 mm)

## Material properties

<b>Main material</b>	Polycarbonate (PC)
<b>Colour</b>	RAL 7032 grey
<b>RoHs conformity</b>	Compliant
<b>China RoHs - EFUP</b>	E
<b>REACH SVHC substances</b>	No
<b>Approvals / Standards</b>	
<b>Reference standard</b>	EN 61984:2009-06
<b>Certifications</b>	CSAc, CQC, DNV, BV, EAC
<b>UL</b>	ECBT2
<b>cUL</b>	ECBT8

## General ordering information

<b>EAN13 code</b>	8015747013734
<b>eCl@ss 8.1</b>	27440205
<b>ETIM 7.0</b>	EC000438

## Packaging Information

<b>Packaging length</b>	260,00 mm
<b>Packaging height</b>	120,00 mm
<b>Packaging width</b>	140,00 mm
<b>Packaging weight</b>	1,35 kg
<b>Packaging volume</b>	4,37 dm <sup>3</sup>
<b>Packaging description</b>	Carton box
<b>Packaging quantity</b>	30 Pcs
<b>Packaging EAN code</b>	8015747013741
<b>Sub-packaging length</b>	118,00 mm
<b>Sub-packaging height</b>	32,00 mm
<b>Sub-packaging width</b>	76,00 mm
<b>Sub-packaging weight</b>	0,23 kg
<b>Sub-packaging volume</b>	0,29 dm <sup>3</sup>
<b>Sub-packaging description</b>	Carton tray
<b>Sub-packaging quantity</b>	5 Pcs
<b>Sub-packaging EAN barcode</b>	8015747013758

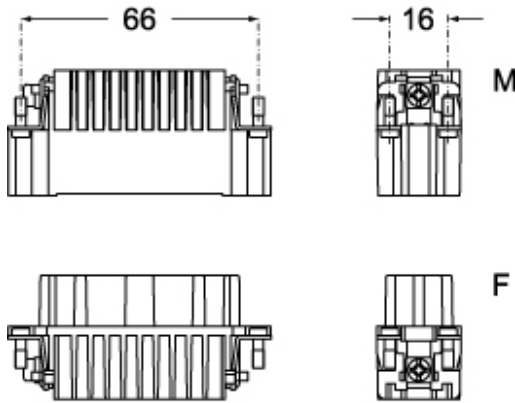
Part number

# CDDF 38

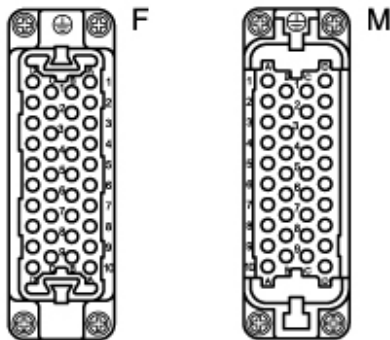


## Catalogue drawings

### CDDM 38

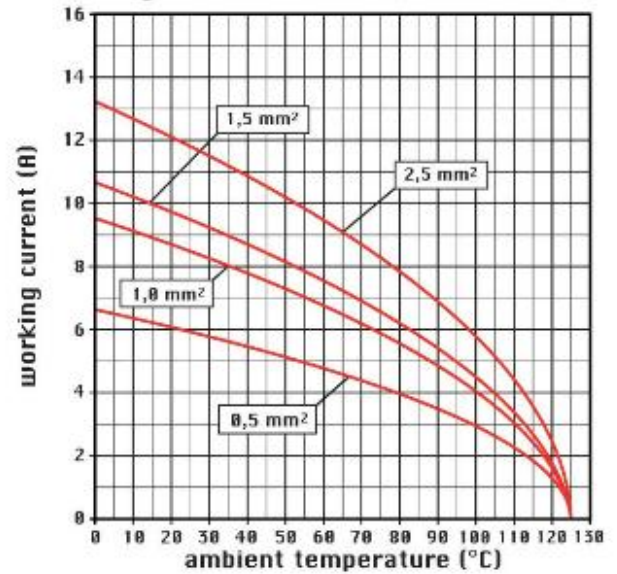


### CDDF 38



## Catalogue drawings

diagram CDD 38 and 76 poles



## Notes

CDD 38 inserts:

- enclosures: size "66.16"
- C-TYPE IP65/IP66
- W\_TYPE aggressive environments
- EMC
- panel supports: page:
- COB + adaptor
- rated voltage according to UL/CSA: 600V
- insulation resistance: >10 GOhm
- ambient temperature limit: -40°C ... +125°C
- are made of self-extinguishing thermoplastic resin UL 94 V0
- mechanical life: >500 cycles
- contact resistance:

Dimensions shown in mm are not binding and may be changed without notice.

### California Proposition 65 Information



### WARNING

This product can expose you to nickel compounds, known to the State of California to cause cancer and/or reproductive toxicity. For more information go to [www.P65Warnings.ca.gov](http://www.P65Warnings.ca.gov).

