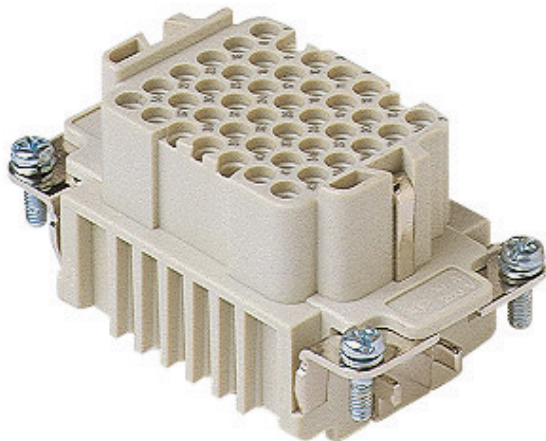


Part number

CDDF 42



Female insert, CDD series, crimp connection,
42 poles + PE, 10 A 250 V 4 kV 2, size "57.27"

Product description		Material properties	
Product type	Insert	Main material	Polycarbonate (PC)
Series	CDD	Colour	RAL 7032 grey
Connection type	Crimp connection	RoHs conformity	Compliant
Gender	Female	China RoHs - EFUP	E
N. of poles	42 poles + \oplus	REACH SVHC substances	No
Size	Size 57.27	Approvals / Standards	
Technical data		Reference standard	EN 61984:2009-06
Current	10 A	Certifications	CSAc, CQC, DNV, BV, EAC
Voltage	250 V	UL	ECBT2
Rated impulse withstand voltage	4 kV	cUL	ECBT8
Pollution degree	2	General ordering information	
Rated voltage according to UL/CSA	600 V	EAN13 code	8015747013772
IP degree of protection	IP20 without enclosure, IP65/IP66/IP68/IP69 with enclosure	eCl@ss 8.1	27440205
Further technical details		ETIM 7.0	EC000438
Characteristics according to EN 61984	10A 250V 4kV 2	Packaging Information	
Mating cycles	≥ 500	Packaging length	210,00 mm
Insulation resistance	≥ 10 GΩ	Packaging height	75,00 mm
Contact resistance	≤ 3 mΩ	Packaging width	180,00 mm
Weight	50,00 g	Packaging weight	1,60 kg
Operating temperature range (min, max)	-40 °C ... +125 °C	Packaging volume	2,84 dm ³
UL 94 flammability rating	V-0	Packaging description	Carton box
Tightening torque for PE connection	M4: 1,2 Nm; 10,6 lb.in (Ph2 or 1,0x5,5mm)	Packaging quantity	30 Pcs
Tightening torque for fixing screws	M3: 0.5 Nm; 4.4 lb.in (Ph1 or 0.8x4 mm)	Packaging EAN code	8015747013789
		Sub-packaging length	67,00 mm
		Sub-packaging height	36,00 mm
		Sub-packaging width	180,00 mm
		Sub-packaging weight	0,27 kg
		Sub-packaging volume	0,43 dm ³
		Sub-packaging description	Carton tray
		Sub-packaging quantity	5 Pcs
		Sub-packaging EAN barcode	8015747013796

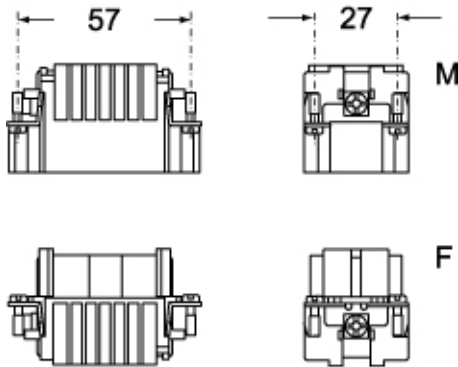
Part number

CDDF 42

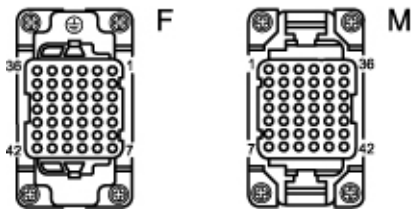


Catalogue drawings

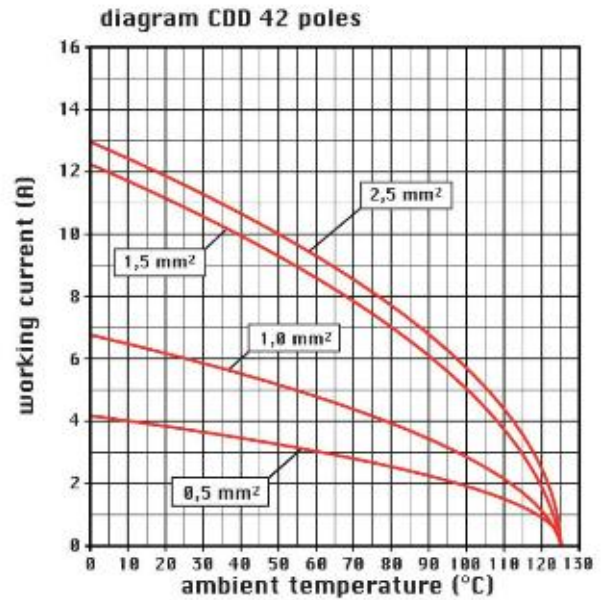
CDDM 42



CDDF 42



Catalogue drawings



Notes

Dimensions shown in mm are not binding and may be changed without notice.

California Proposition 65 Information



WARNING

This product can expose you to nickel compounds, known to the State of California to cause cancer and/or reproductive toxicity. For more information go to www.P65Warnings.ca.gov.