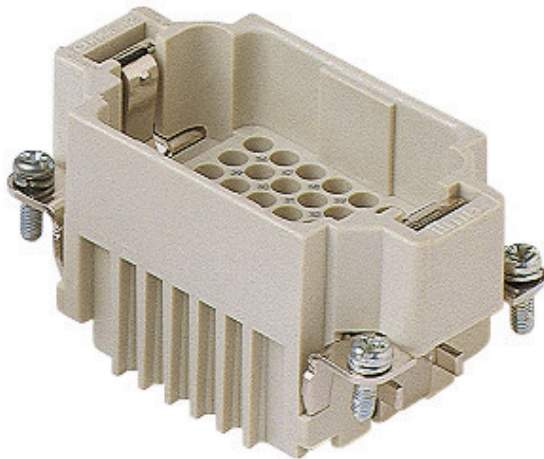


Part number

# CDDM 42



Male insert, CDD series, crimp connection, 42 poles + PE, 10 A 250 V 4 kV 2, size "57.27"

Product description		Material properties	
<b>Product type</b>	Insert	<b>Main material</b>	Polycarbonate (PC)
<b>Series</b>	CDD	<b>Colour</b>	RAL 7032 grey
<b>Connection type</b>	Crimp connection	<b>RoHs conformity</b>	Compliant
<b>Gender</b>	Male	<b>China RoHs - EFUP</b>	E
<b>N. of poles</b>	42 poles +	<b>REACH SVHC substances</b>	No
<b>Size</b>	Size 57.27	<b>Approvals / Standards</b>	
Technical data		<b>Reference standard</b>	EN 61984:2009-06
<b>Current</b>	10 A	<b>Certifications</b>	CSAc, CQC, DNV, BV, EAC
<b>Voltage</b>	250 V	<b>UL</b>	ECBT2
<b>Rated impulse withstand voltage</b>	4 kV	<b>cUL</b>	ECBT8
<b>Pollution degree</b>	2	<b>General ordering information</b>	
<b>Rated voltage according to UL/CSA</b>	600 V	<b>EAN13 code</b>	8015747014113
<b>IP degree of protection</b>	IP20 without enclosure, IP65/IP66/IP68/IP69 with enclosure	<b>eCl@ss 8.1</b>	27440205
Further technical details		<b>ETIM 7.0</b>	EC000438
<b>Characteristics according to EN 61984</b>	10A 250V 4kV 2	<b>Packaging Information</b>	
<b>Mating cycles</b>	≥ 500	<b>Packaging length</b>	210,00 mm
<b>Insulation resistance</b>	≥ 10 GΩ	<b>Packaging height</b>	75,00 mm
<b>Contact resistance</b>	≤ 3 mΩ	<b>Packaging width</b>	180,00 mm
<b>Weight</b>	46,50 g	<b>Packaging weight</b>	1,81 kg
<b>Operating temperature range (min, max)</b>	-40 °C ... +125 °C	<b>Packaging volume</b>	2,84 dm <sup>3</sup>
<b>UL 94 flammability rating</b>	V-0	<b>Packaging description</b>	Carton box
<b>Tightening torque for PE connection</b>	M4: 1,2 Nm, 10,6 lb.in (Ph2 or 1,0x5,5mm )	<b>Packaging quantity</b>	30 Pcs
<b>Tightening torque for fixing screws</b>	M3: 0.5 Nm; 4.4 lb.in (Ph1 or 0.8x4 mm)	<b>Packaging EAN code</b>	8015747014120
		<b>Sub-packaging length</b>	67,00 mm
		<b>Sub-packaging height</b>	36,00 mm
		<b>Sub-packaging width</b>	180,00 mm
		<b>Sub-packaging weight</b>	0,30 kg
		<b>Sub-packaging volume</b>	0,43 dm <sup>3</sup>
		<b>Sub-packaging description</b>	Carton tray
		<b>Sub-packaging quantity</b>	5 Pcs
		<b>Sub-packaging EAN barcode</b>	8015747014137

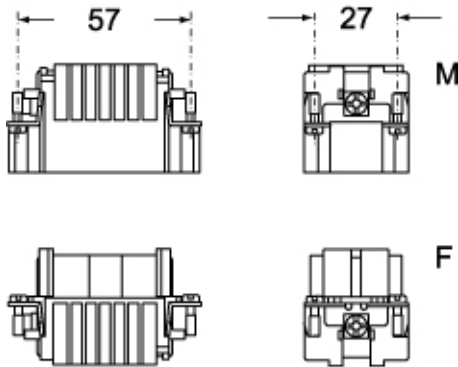
Part number

# CDDM 42

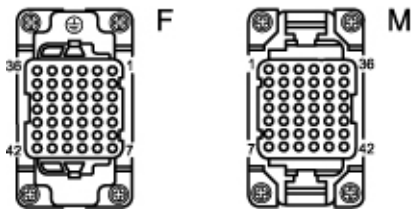


Catalogue drawings

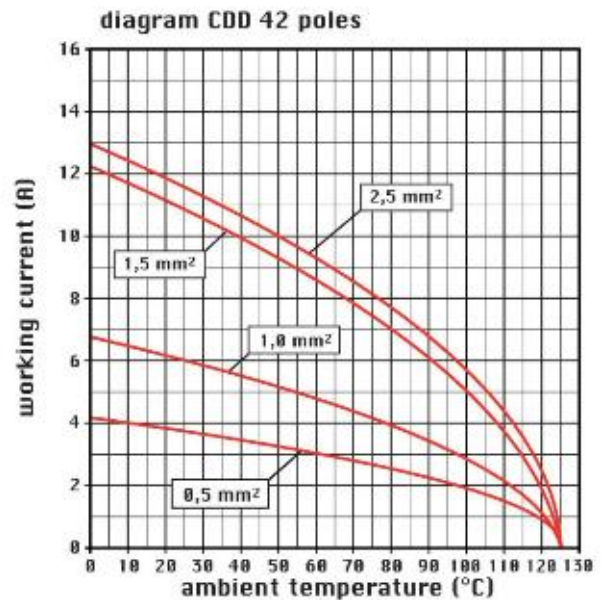
## CDDM 42



## CDDF 42



Catalogue drawings



## Notes

Dimensions shown in mm are not binding and may be changed without notice.

### California Proposition 65 Information



### WARNING

This product can expose you to nickel compounds, known to the State of California to cause cancer and/or reproductive toxicity. For more information go to [www.P65Warnings.ca.gov](http://www.P65Warnings.ca.gov).