

Part number

CDM 25 Z



Male insert, CD series, crimp connection, 25 poles + PE, 10 A 250 V 4 kV 3, size "66.40"

Product description

Product type	Insert
Series	CD
Connection type	Crimp connection
Gender	Male
N. of poles	25 poles +
Size	Size "66.40"

Technical data

Current	10 A
Voltage	250 V
Rated impulse withstand voltage	4 kV
Pollution degree	3
Rated voltage according to UL/CSA	600 V
Pole numbering system	ZA (1-9), ZB (1-7), ZC (1-9)
IP degree of protection	IP20 without enclosure, IP65/IP66 with enclosure

Further technical details

Characteristics according to EN 61984	10A 250V 4kV 3; 10A 230/400V 4kV 2
Mating cycles	≥ 500
Insulation resistance	≥ 10 GΩ
Contact resistance	≤ 3 mΩ
Weight	34,00 g
Operating temperature range (min, max)	-40 °C ... +125 °C
Conductors stripping length	6 - 8 mm
UL 94 flammability rating	V-0
Tightening torque for PE connection	M3,5: 0,8 Nm; 7,1 lb.in (Ph1 or 0,8 x 5,5 mm)
Tightening torque for fixing screws	M3: 0.5 Nm; 4.4 lb.in (Ph1 or 0.8x4 mm)

Material properties

Main material	Polycarbonate (PC)
Colour	RAL 7032 grey
RoHs conformity	Compliant
China RoHs - EFUP	E
REACH SVHC substances	No

Approvals / Standards

Reference standard	EN 61984:2009-06
Certifications	CSAc, CQC, DNV, BV, EAC
UL	ECBT2
cUL	ECBT8

General ordering information

EAN13 code	8015747112093
eCl@ss 8.1	27440205
ETIM 7.0	EC000438

Packaging Information

Packaging length	260,00 mm
Packaging height	100,00 mm
Packaging width	150,00 mm
Packaging weight	1,26 kg
Packaging volume	3,90 dm ³
Packaging description	Carton box
Packaging quantity	30 Pcs
Packaging EAN code	8015747112123
Sub-packaging length	118,00 mm
Sub-packaging height	32,00 mm
Sub-packaging width	76,00 mm
Sub-packaging weight	0,21 kg
Sub-packaging volume	0,29 dm ³
Sub-packaging description	Carton box
Sub-packaging quantity	5 Pcs
Sub-packaging EAN barcode	8015747112130

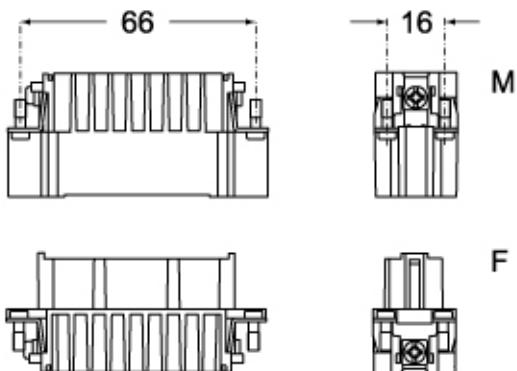
Part number

CDM 25 Z

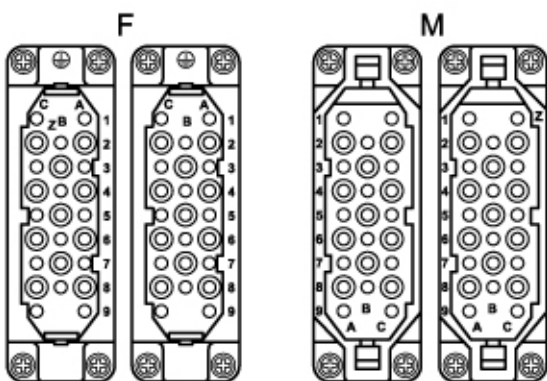


Catalogue drawings

CDM 25 (Z)



CDF 25 (Z)

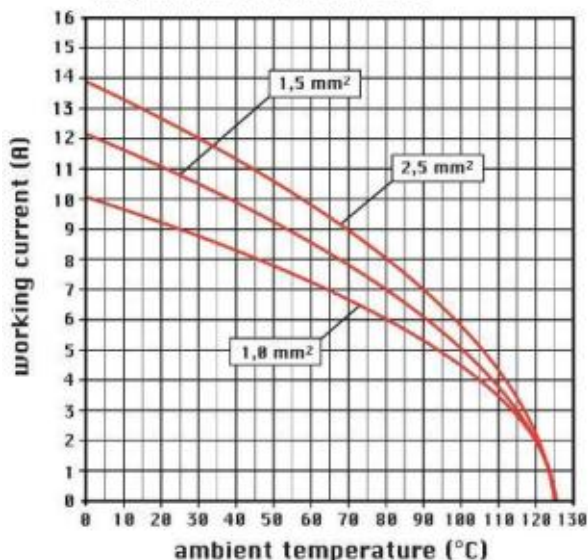


CDF 25 Z - CDF 25

CDM 25 - CDM 25 Z

Catalogue drawings

diagram CD 25 and 50 poles



Notes

California Proposition 65 Information



WARNING

This product can expose you to nickel compounds, known to the State of California to cause cancer and/or reproductive toxicity. For more information go to www.P65Warnings.ca.gov.

without notice.