

Part number

CDM 08



Male insert, CD series, crimp connection, 8 poles, 10 A 50 V 0,8 kV 3, size "21.21"

Product description		Material properties	
Product type	Insert	Main material	Polycarbonate (PC)
Series	CD	Other materials	Gasket: NBR
Connection type	Crimp connection	Colour	RAL 7032 grey
Gender	Male		Compliant with exemption
N. of poles	8 poles	RoHs conformity	6(c): copper alloy containing up to 4% lead by weight
Size	Size "21.21"	China RoHs - EFUP	E
Technical data		REACH SVHC substances	Yes Lead
Current	10 A	Approvals / Standards	
Voltage	50 V	Reference standard	EN 61984:2009-06
Rated impulse withstand voltage	0,8 kV	Certifications	CSAc, CQC, DNV-GL, BV, EAC
Pollution degree	3	UL	ECBT2
Rated voltage according to UL/CSA	50 V AC/120 V DC	cUL	ECBT8
IP degree of protection	IP20 without enclosure, IP44/IP66/IP67/IP68/IP69 with enclosure	General ordering information	
Further technical details		EAN13 code	8015747015059
Characteristics according to EN 61984	10A 50V ac / 120 dc 0,8kV 3	eCl@ss 8.1	27440205
Mating cycles	≥ 500	ETIM 7.0	EC000438
Insulation resistance	≥ 10 GΩ	Packaging Information	
Contact resistance	≤ 3 mΩ	Packaging length	210,00 mm
Weight	8,00 g	Packaging height	200,00 mm
Operating temperature range (min, max)	-40 °C ... +125 °C	Packaging width	130,00 mm
Conductors stripping length	8 mm (6 mm for 2,5 mm ²)	Packaging weight	1,85 g
UL 94 flammability rating	V-0	Packaging volume	5,46 dm ³
Tightening torque for fixing screws	M3: 0,5 Nm; 4,4 lb.in (Ph1 or 0,8 x 5,5 mm)	Packaging description	Carton box
		Packaging quantity	200 Pcs
		Packaging EAN code	8015747103206
		Sub-packaging weight	0,37 g
		Sub-packaging description	Carton tray
		Sub-packaging quantity	40 Pcs
		Sub-packaging EAN barcode	8015747103213

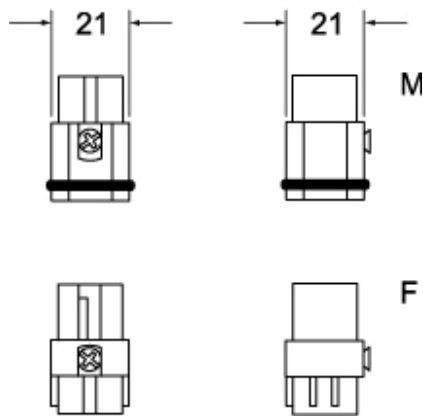
Part number

CDM 08



Catalogue drawings

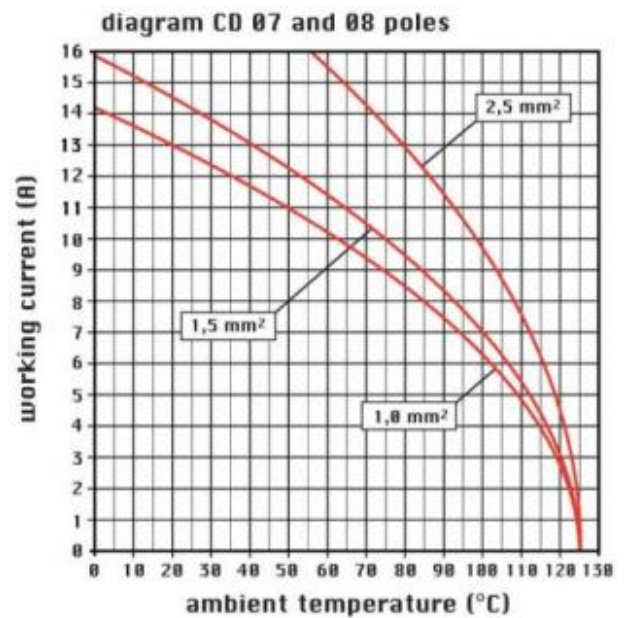
CDM 08



CDF 08



Catalogue drawings



Notes

Dimensions shown in mm are not binding and may be changed without notice.

CDA ... : for non-prepared conductors



CDA ... X : for conductors with bush terminal