


Part number

CDSHF 27



Female insert, CDSH series, SQUICH® spring terminal connection without tools, 27 poles + PE, 10 A 400 V 6 kV 3, size "77.27"

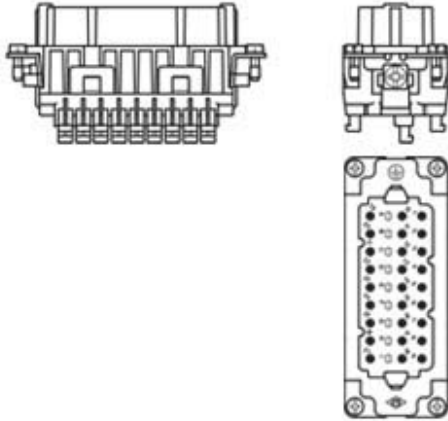
Product description		Material properties	
Product type	Insert	Main material	Polycarbonate (PC)
Series	CDSH	Other materials	Contacts: copper alloy
Connection type	SQUICH® spring terminal connection without tools	Colour	RAL 7032 grey
Gender	Female	RoHs conformity	Compliant with exemption 6(c): copper alloy containing up to 4% lead by weight
N. of poles	27 poles + 	China RoHs - EFUP	50
Size	Size 77.27	REACH SVHC substances	Yes Lead
Technical data		SCIP number	1a9c93ff-0445-4a16-81e3-1609ac5274d6
Current	10 A	Approvals / Standards	
Voltage	400 V	Reference standard	EN 61984:2009-06
Rated impulse withstand voltage	6 kV	Certifications	DNV, BV, EAC, CQC
Pollution degree	3	UL	ECBT2
Rated voltage according to UL/CSA	600 V	cUL	ECBT8
Wire cross-section	0,14 mm ² - 2,50 mm ²	General ordering information	
AWG size	26 - 14	EAN13 code	8015747222587
Contact type	Turned silver plated	eCl@ss 8.1	27440205
IP degree of protection	IP20 without enclosure, IP65/IP66/IP68/IP69 with enclosure	ETIM 7.0	EC000438
Further technical details		Packaging Information	
Mating cycles	≥ 500	Packaging length	245,00 mm
Insulation resistance	≥ 10 GΩ	Packaging height	165,00 mm
Contact resistance	≤ 3 mΩ	Packaging width	215,00 mm
Weight	102,00 g	Packaging weight	3,57 kg
Operating temperature range (min, max)	-40 °C ... +125 °C	Packaging volume	8,69 dm ³
UL 94 flammability rating	V-0	Packaging description	Carton box
		Packaging quantity	30 Pcs
		Packaging EAN code	8015747222716
		Sub-packaging length	197,00 mm
		Sub-packaging height	55,00 mm
		Sub-packaging width	113,00 mm
		Sub-packaging weight	0,60 kg
		Sub-packaging volume	1,22 dm ³
		Sub-packaging description	Carton tray
		Sub-packaging quantity	5 Pcs
		Sub-packaging EAN barcode	8015747222723

Part number

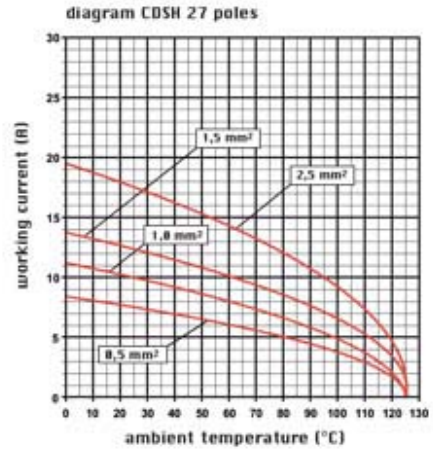
CDSHF 27



Catalogue drawings



Derating curves



Notes

Dimensions shown in mm are not binding and may be changed without notice.

California Proposition 65 Information



WARNING

This product can expose you to lead and its compounds, known to the State of California to cause cancer and/or reproductive toxicity. For more information go to www.P65Warnings.ca.gov.

California Proposition 65 Information



WARNING

This product can expose you to lead and its compounds, known to the State of California to cause cancer and/or reproductive toxicity. For more information go to www.P65Warnings.ca.gov.

SQUICH® connection with actuator button



Reopening
