


Part number

# CKF 03 N



Female insert, CK series, screw terminal connection, 3 poles + PE, 10 A 230/400 V 4 kV 3, size "21.21", black colour

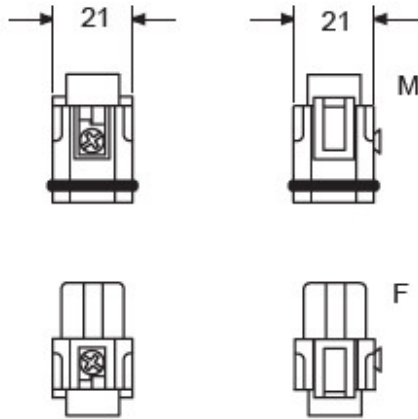
Product description		Material properties	
<b>Product type</b>	Insert	<b>Main material</b>	Polycarbonate (PC)
<b>Series</b>	CK	<b>Other materials</b>	Contacts: copper alloy
<b>Connection type</b>	Screw terminal connection	<b>Colour</b>	RAL 9005 black
<b>Gender</b>	Female	<b>RoHs conformity</b>	Compliant with exemption 6(c): copper alloy containing up to 4% lead by weight
<b>N. of poles</b>	3 poles + 	<b>China RoHs - EFUP</b>	50
<b>Size</b>	Size "21.21"	<b>REACH SVHC substances</b>	Yes Lead
<b>Specification</b>	Black colour Black colour	<b>SCIP number</b>	1a9c93ff-0445-4a16-81e3-1609ac5274d6
Technical data		Approvals / Standards	
<b>Current</b>	10 A	<b>Reference standard</b>	EN 61984:2009-06
<b>Voltage</b>	230 - 400 V	<b>Certifications</b>	CSA, CQC, DNV, BV, EAC
<b>Rated impulse withstand voltage</b>	4 kV	<b>UL</b>	ECBT2
<b>Pollution degree</b>	3	General ordering information	
<b>Rated voltage according to UL/CSA</b>	600 V	<b>EAN13 code</b>	8015747027991
<b>Wire cross-section</b>	0,75 mm <sup>2</sup> - 2,50 mm <sup>2</sup>	<b>eCl@ss 8.1</b>	27440205
<b>AWG size</b>	18 - 14	<b>ETIM 7.0</b>	EC000438
<b>Contact type</b>	Turned silver plated	Packaging Information	
<b>IP degree of protection</b>	IP20 without enclosure, IP44/IP66/IP67/IP68/IP69 with enclosure	<b>Packaging length</b>	210,00 mm
Further technical details		<b>Packaging height</b>	200,00 mm
<b>Characteristics according to EN 61984</b>	10A 230/400V 4kV 3; 10A 400/690V 4kV 2	<b>Packaging width</b>	130,00 mm
<b>Mating cycles</b>	≥ 500	<b>Packaging weight</b>	3,00 kg
<b>Insulation resistance</b>	≥ 10 GΩ	<b>Packaging volume</b>	5,46 dm <sup>3</sup>
<b>Contact resistance</b>	≤ 2 mΩ	<b>Packaging description</b>	Carton box
<b>Weight</b>	13,50 g	<b>Packaging quantity</b>	200 Pcs
<b>Operating temperature range (min, max)</b>	-40°C ... +100°C	<b>Packaging EAN code</b>	8015747028004
<b>Conductors stripping length</b>	6 mm	<b>Sub-packaging length</b>	197,00 mm
<b>UL 94 flammability rating</b>	V-1	<b>Sub-packaging height</b>	35,00 mm
<b>Torque for main contact</b>	M3: 0,5 Nm; 4,4 lb.in (0,5 x 3 mm)	<b>Sub-packaging width</b>	113,00 mm
<b>Tightening torque for PE connection</b>	M3: 0,5 Nm; 4,4 lb.in (0,5 x 3 mm)	<b>Sub-packaging weight</b>	0,60 kg
<b>Tightening torque for fixing screws</b>	M3: 0,5 Nm; 4,4 lb.in (Ph1 or 0,8 x 5,5 mm)	<b>Sub-packaging volume</b>	0,78 dm <sup>3</sup>
		<b>Sub-packaging description</b>	Carton box
		<b>Sub-packaging quantity</b>	40 Pcs
		<b>Sub-packaging EAN barcode</b>	8015747028011

Part number

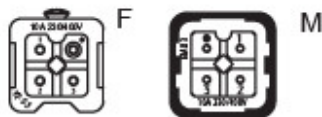
# CKF 03 N



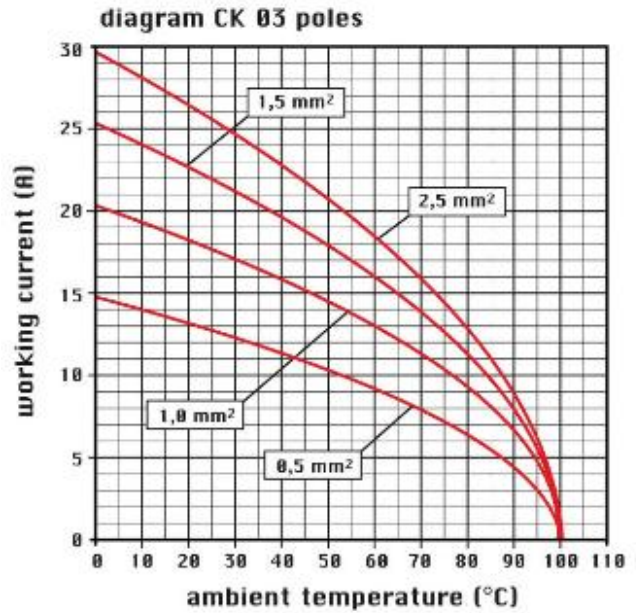
## Catalogue drawings



contacts side (front view)



## Derating curves



## Notes

Dimensions shown in mm are not binding and may be changed without notice.

### California Proposition 65 Information



**WARNING**

This product can expose you to lead and its compounds, known to the State of California to cause cancer and/or reproductive toxicity. For more information go to [www.P65Warnings.ca.gov](http://www.P65Warnings.ca.gov).

### California Proposition 65 Information



**WARNING**

This product can expose you to lead and its compounds, known to the State of California to cause cancer and/or reproductive toxicity. For more information go to [www.P65Warnings.ca.gov](http://www.P65Warnings.ca.gov).