


Part number

CKSHF 03



Female insert, CKSH series, SQUICH® spring terminal connection without tools, 3 poles + PE, 10 A 400 V 4 kV 3, size "21.21"

Product description

Product type	Insert
Series	CKSH
Connection type	SQUICH® spring terminal connection without tools
Gender	Female
N. of poles	3 poles + 
Size	Size "21.21"

Technical data

Current	10 A
Voltage	400 V
Rated impulse withstand voltage	4 kV
Pollution degree	3
Rated voltage according to UL/CSA	600 V
Wire cross-section	0,14 mm ² - 2,50 mm ²
AWG size	26 - 14
Contact type	Turned silver plated
IP degree of protection	IP20 without enclosure, IP44/IP66/IP67/IP68/IP69 with enclosure

Further technical details

Characteristics according to EN 61984	10A 400V 4kV 3; 10A 690V 4kV 2
Mating cycles	≥ 500
Insulation resistance	≥ 10 GΩ
Contact resistance	≤ 3 mΩ
Weight	15,00 g
Operating temperature range (min, max)	-40 °C ... +125 °C
Conductors stripping length	9...11 mm
UL 94 flammability rating	V-0
Tightening torque for fixing screws	M3: 0,5 Nm; 4,4 lb.in (Ph1 or 0,8 x 5,5 mm)

Material properties

Main material	Polycarbonate (PC)
Other materials	Contacts: copper alloy
Colour	RAL 7032 grey
RoHs conformity	Compliant with exemption 6(c): copper alloy containing up to 4% lead by weight
China RoHs - EFUP	50
REACH SVHC substances	Yes Lead
SCIP number	1a9c93ff-0445-4a16-81e3-1609ac5274d6

Approvals / Standards

Certifications	DNV, BV, EAC,CQC
UL	ECBT2
cUL	ECBT8

General ordering information

EAN13 code	8015747234597
eCl@ss 8.1	27440205
ETIM 7.0	EC000438

Packaging Information

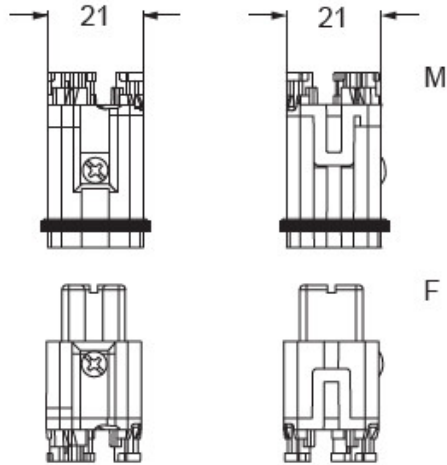
Packaging length	200,00 mm
Packaging height	245,00 mm
Packaging width	146,00 mm
Packaging weight	3,36 kg
Packaging volume	7,15 dm ³
Packaging description	Carton box
Packaging quantity	200 Pcs
Packaging EAN code	8015747234634
Sub-packaging length	116,00 mm
Sub-packaging height	43,00 mm
Sub-packaging width	180,00 mm
Sub-packaging weight	0,67 kg
Sub-packaging volume	0,90 dm ³
Sub-packaging description	Carton tray
Sub-packaging quantity	40 Pcs
Sub-packaging EAN barcode	8015747234641

Part number

CKSHF 03



Catalogue drawings

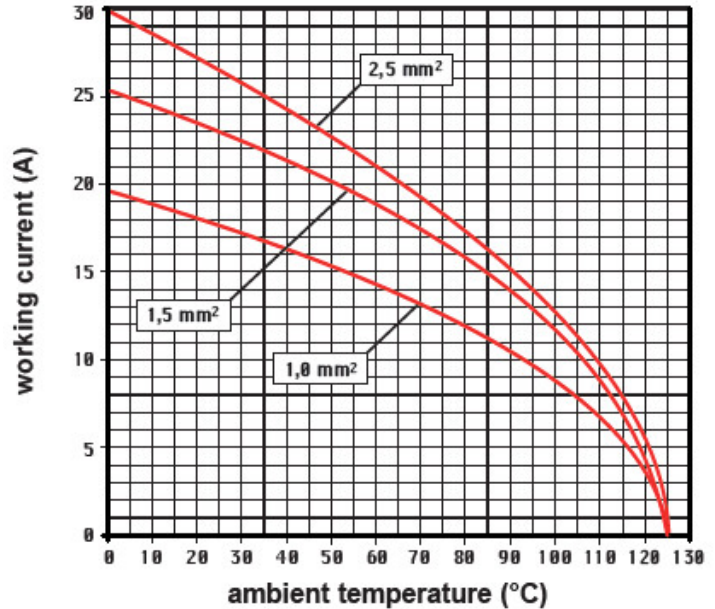


contacts side (front view)



Derating curves

CKSH 03 poles connector inserts
Maximum current load derating diagram



Notes

Dimensions shown in mm are not binding and may be changed without notice.

California Proposition 65 Information



WARNING

This product can expose you to lead and its compounds, known to the State of California to cause cancer and/or reproductive toxicity. For more information go to www.P65Warnings.ca.gov.

California Proposition 65 Information



WARNING

This product can expose you to lead and its compounds, known to the State of California to cause cancer and/or reproductive toxicity. For more information go to www.P65Warnings.ca.gov.

SQUICH® connection with actuator button



Reopening
