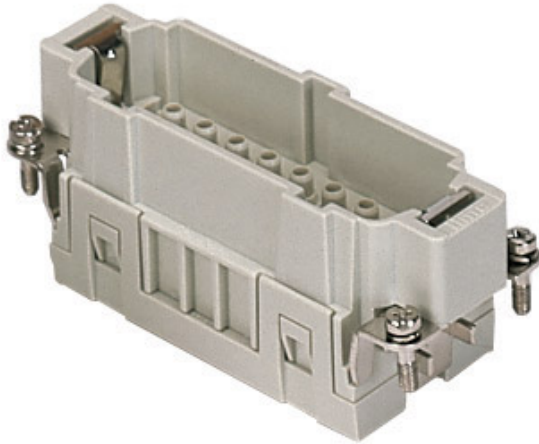



Part number

# CMCEM 06 N



Male insert, CMCE series, crimp connection, 6 + 2 poles + PE (17-32), 16 A 830 V 8 kV 3 / 16 A 500 V 6 kV 3, size "77.62"

## Product description

<b>Product type</b>	Insert
<b>Series</b>	CMCE
<b>Connection type</b>	Crimp connection
<b>Gender</b>	Male
<b>N. of poles</b>	12 poles + 
<b>Auxiliary poles</b>	2 poles
<b>Size</b>	Size 77.62

## Technical data

<b>Current</b>	16 A
<b>Voltage</b>	830 V
<b>Rated impulse withstand voltage</b>	8 kV
<b>Pollution degree</b>	3
<b>Rated voltage according to UL/CSA</b>	600 V
<b>Pole numbering system</b>	17-32
<b>IP degree of protection</b>	IP20 without enclosure, IP65/IP66 with enclosure

## Further technical details

<b>Characteristics according to EN 61984</b>	16A 830V 8kV 3 (aux: 16A 500V 6kV 3); 16A 1000V 8kV 2 (power contacts only)
<b>Mating cycles</b>	≥ 500
<b>Insulation resistance</b>	≥ 10 GΩ
<b>Contact resistance</b>	≤ 1 mΩ
<b>Weight</b>	52,50 g
<b>Operating temperature range (min, max)</b>	-40 °C ... +125 °C
<b>UL 94 flammability rating</b>	V-0

## Material properties

<b>Main material</b>	Polycarbonate (PC)
<b>Colour</b>	RAL 7032 grey
<b>RoHs conformity</b>	Compliant
<b>China RoHs - EFUP</b>	E
<b>REACH SVHC substances</b>	No

## Approvals / Standards

<b>Reference standard</b>	EN 61984:2009-06
<b>Certifications</b>	CSA, CQC, DNV, BV, EAC
<b>UL</b>	ECBT2

## General ordering information

<b>EAN13 code</b>	8015747133418
<b>ETIM 7.0</b>	EC000438

## Packaging Information

<b>Packaging length</b>	230,00 mm
<b>Packaging height</b>	110,00 mm
<b>Packaging width</b>	180,00 mm
<b>Packaging weight</b>	2,10 kg
<b>Packaging volume</b>	4,55 dm <sup>3</sup>
<b>Packaging description</b>	Carton box
<b>Packaging quantity</b>	30 Pcs
<b>Packaging EAN code</b>	8015747136044
<b>Sub-packaging length</b>	87,00 mm
<b>Sub-packaging height</b>	36,00 mm
<b>Sub-packaging width</b>	180,00 mm
<b>Sub-packaging weight</b>	0,35 kg
<b>Sub-packaging volume</b>	0,56 dm <sup>3</sup>
<b>Sub-packaging description</b>	Carton tray
<b>Sub-packaging quantity</b>	5 Pcs
<b>Sub-packaging EAN barcode</b>	8015747136051

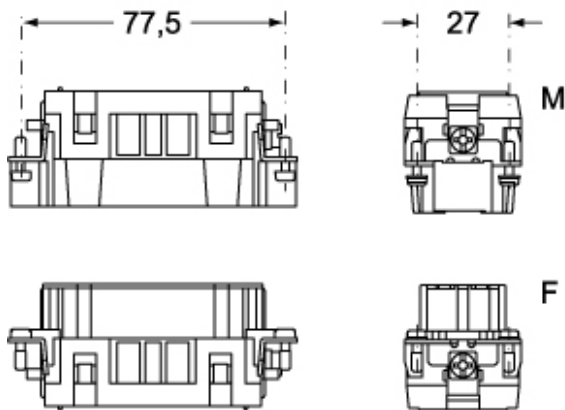
Part number

# CMCEM 06 N

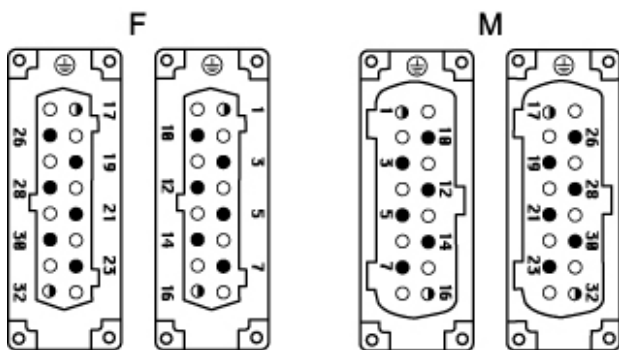


Catalogue drawings

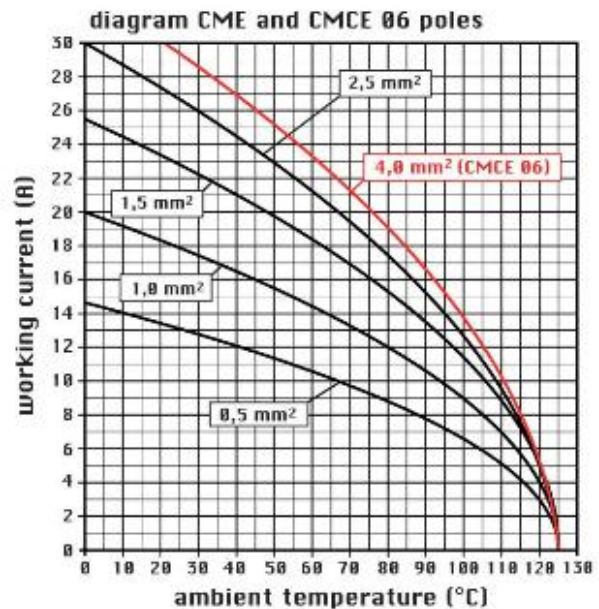
## CMCEM 06 (N)



## CMCEF 06 (N)



Catalogue drawings



## Notes

CMCEF/M 06 N inserts:

- characteristics according to EN 61984:
    - 16A 830V 8kV 3
    - 16A 1000V 8kV 2
    - 16A 720/1250V 8kV 2
  - auxiliary contacts: 16A 500V 6kV 3
  - UL, CSA, CCC, GOST certified
  - rated voltage according to UL/CSA: 600V
  - insulation resistance: > 10 GOhm
  - ambient temperature limit: -40 °C ... +125 °C
  - are made of self-extinguishing thermoplastic resin UL 94 V0
  - mechanical life: > 500 cycles
  - contact resistance: < 1 mOhm
  - enclosures: size 77.62:
- C-TYPE IP65/IP66  
W-TYPE aggressive environments

Dimensions shown in mm are not binding and may be changed without notice.

## California Proposition 65 Information



### **WARNING**

This product can expose you to nickel compounds, known to the State of California to cause cancer and/or reproductive toxicity. For more information go to [www.P65Warnings.ca.gov](http://www.P65Warnings.ca.gov).

---