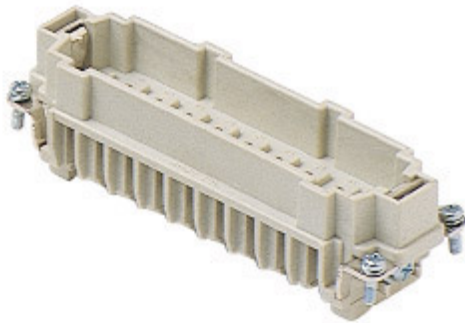



Part number

CMCEM 16



Male insert, CMCE series, crimp connection,
16 + 2 poles + PE, 16 A 400/690 V 6 kV 3 / 16
A 500 V 6 kV 3, size "104.27"

Product description

Product type	Insert
Series	CMCE
Connection type	Crimp connection
Gender	Male
N. of poles	16 poles + 
Auxiliary poles	2 poles
Size	Size 104.27

Technical data

Current	16 A
Voltage	400 - 690 V
Rated impulse withstand voltage	6 kV
Pollution degree	3
Rated voltage according to UL/CSA	600 V
IP degree of protection	IP20 without enclosure, IP65/IP66 with enclosure

Further technical details

Characteristics according to EN 61984	16A 830V 8kV 3 (aux: 16A 500V 6kV 3); 16A 1000V 8kV 2 (power contacts only)
Mating cycles	≥ 500
Insulation resistance	≥ 10 GΩ
Contact resistance	≤ 1 mΩ
Weight	67,00 g
Operating temperature range (min, max)	-40 °C ... +125 °C
UL 94 flammability rating	V-0

Material properties

Main material	Polycarbonate (PC)
Colour	RAL 7032 grey
RoHS conformity	Compliant
China RoHS - EFUP	E
REACH SVHC substances	No

Approvals / Standards

Reference standard	EN 61984:2009-06
Certifications	CSA, CQC, DNV, BV, EAC
UL	ECBT2

General ordering information

EAN13 code	8015747136150
ETIM 7.0	EC000438

Packaging Information

Packaging length	270,00 mm
Packaging height	75,00 mm
Packaging width	180,00 mm
Packaging weight	2,37 kg
Packaging volume	3,65 dm ³
Packaging description	Carton box
Packaging quantity	30 Pcs
Packaging EAN code	8015747136297
Sub-packaging length	113,00 mm
Sub-packaging height	36,00 mm
Sub-packaging width	180,00 mm
Sub-packaging weight	0,40 kg
Sub-packaging volume	0,73 dm ³
Sub-packaging description	Carton tray
Sub-packaging quantity	5 Pcs
Sub-packaging EAN barcode	8015747136303

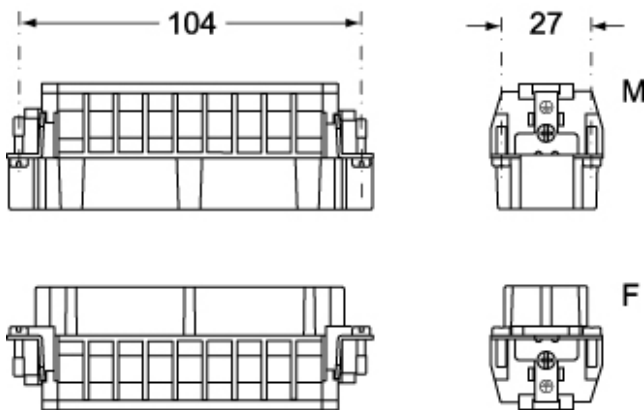
Part number

CMCEM 16

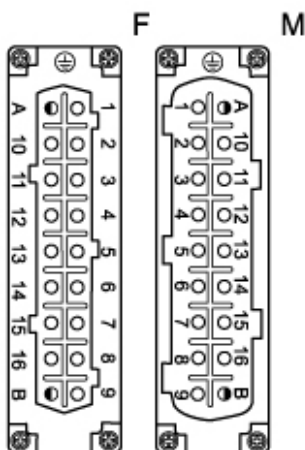


Catalogue drawings

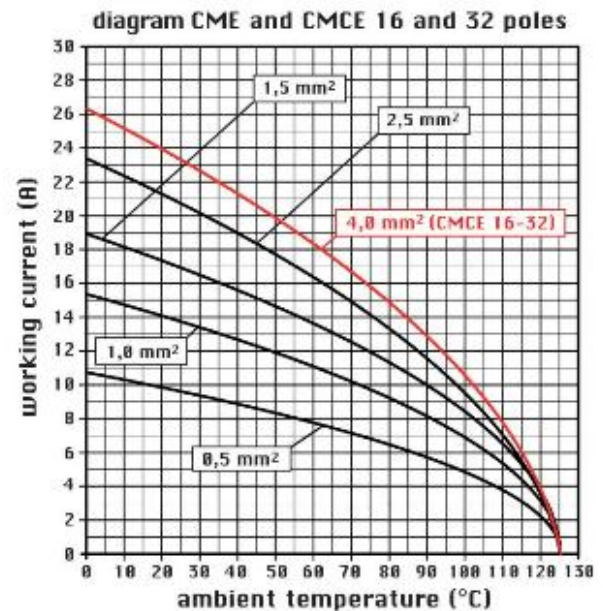
CMCEM 16



CMCEF 16



Catalogue drawings



Notes

CMCEF/M 16 inserts

- the auxiliary contacts are the same as power contacts: early opening is obtained by drawing back the seats
- characteristics according to EN 61984:
 - 16A 400/690V 6kV 3
 - 16A 1000V 8kV 2
 - 16A 720/1250V 8kV 2
- auxiliary contacts: 16A 500V 6kV 3
- rated voltage according to UL/CSA: 600V
- insulation resistance: > 10 GOhm
- ambient temperature limit: -40 °C ... +125 °C
- are made of self-extinguishing thermoplastic resin UL 94 V0
- mechanical life: > 500 cycles
- contact resistance: < 1 mOhm

- enclosures: size 104.27:
- T-TYPE IP65 insulating
- W-TYPE aggressive environments
- insulated 830V
- panel support: COB

Dimensions shown in mm are not binding and may be changed without notice.

California Proposition 65 Information



WARNING

This product can expose you to nickel compounds, known to the State of California to cause cancer and/or reproductive toxicity. For more information go to www.P65Warnings.ca.gov.
