

Part number

CMEF 16 N



Female insert, CME series, screw terminal connection, 16 poles + PE, 16 A 400/690 V 6 kV 3 / 16 A 500 V 6 kV 3, size "104.62", black colour

Product description		Material properties	
Product type	Insert	Main material	Polycarbonate (PC)
Series	CME	Other materials	Contacts: copper alloy
Connection type	Screw terminal connection	Colour	RAL 9005 black
Gender	Female	RoHs conformity	Compliant with exemption 6(c): copper alloy containing up to 4% lead by weight
N. of poles	32 poles +	China RoHs - EFUP	50
Auxiliary poles	2 poles	REACH SVHC substances	Yes Lead
Size	Size 104.62	SCIP number	1a9c93ff-0445-4a16-81e3-1609ac5274d6
Specification	Black colour	Approvals / Standards	
Technical data		Reference standard	EN 61984:2009-06
Current	16 A	Certifications	CSA, CQC, DNV, BV, EAC
Voltage	400 - 690 V	UL	ECBT2
Rated impulse withstand voltage	6 kV	cUL	ECBT8
Pollution degree	3	General ordering information	
Rated voltage according to UL/CSA	600V	EAN13 code	8015747148849
Wire cross-section	0,75 mm ² - 2,50 mm ²	ETIM 7.0	EC000438
AWG size	18 - 14	Packaging Information	
Contact type	Turned silver plated	Sub-packaging length	113,00 mm
IP degree of protection	IP20 without enclosure, IP65/IP66 with enclosure	Sub-packaging height	36,00 mm
Further technical details		Sub-packaging width	180,00 mm
Characteristics according to EN 61984	16A 400/690V 6kV 3 (aux: 16A 500V 6kV 3); 16A 1000V 8kV 2 (power contacts only)	Sub-packaging weight	0,69 kg
Mating cycles	≥ 500	Sub-packaging volume	0,73 dm ³
Insulation resistance	≥ 10 GΩ	Sub-packaging description	Carton tray
Weight	138,00 g	Sub-packaging quantity	5 Pcs
Operating temperature range (min, max)	-40 °C ... +125 °C	Sub-packaging EAN barcode	8015747167642
UL 94 flammability rating	V-0		

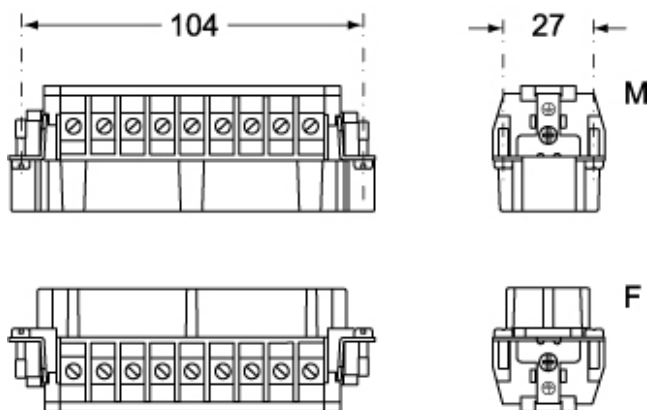
Part number

CMEF 16 N

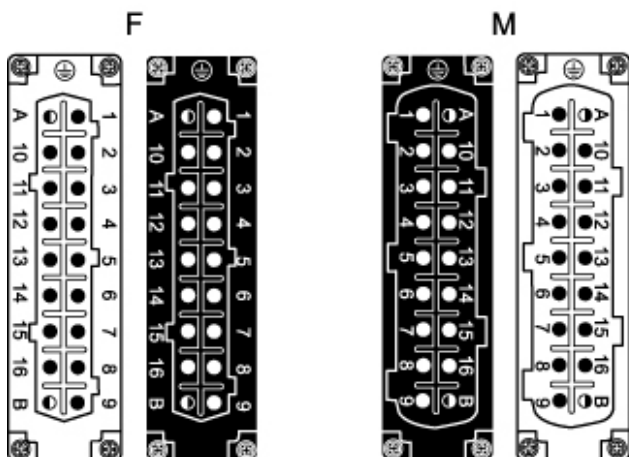


Catalogue drawings

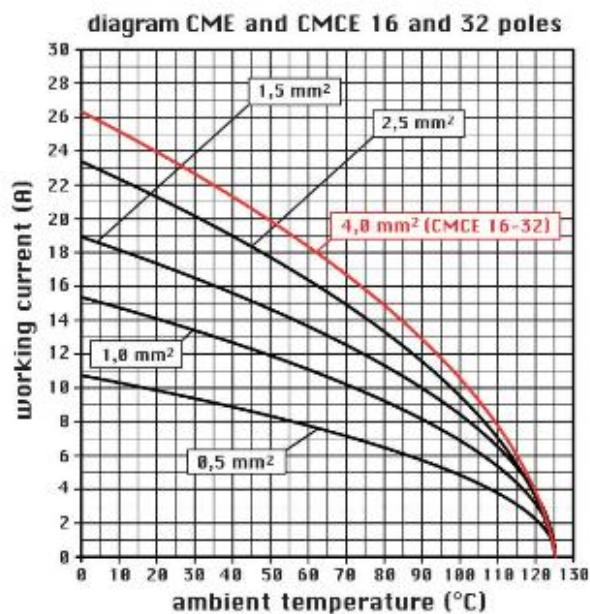
CMEM 16 (N)



CMEF 16 (N)



Catalogue drawings



Notes

CMEF/M 16 N inserts:

- inserts with plate, for section conductors:

0.75 - 2.5 mm² - AWG 18 - 14

- conductors stripping length: 7 mm

- terminal screw torque: 0.5 Nm (4.4 lb.in), for more

- characteristics according to EN 61984:

16A 400/690V 6kV 3

16A 1000V 8kV 2

16A 720/1250V 8kV 2

- auxiliary contacts: 16A 500V 6kV 3

- UL, CSA, CCC, GOST certified

- rated voltage according to UL/CSA: 600V

- insulation resistance: > 10 GOhm

- ambient temperature limit: -40 °C ... +125 °C

- are made of self-extinguishing thermoplastic resin UL 94 V0

- mechanical life: > 500 cycles

- contact resistance: < 1 mOhm

- inserts and enclosures for applications with temperatures up to 180 °C, available on request;

- enclosures: size 104.62:

C-TYPE IP65/IP66

W-TYPE aggressive environments

Dimensions shown in mm are not binding and may be changed without notice.

-
- CME....: for non-prepared conductors
- inserts with plate, for section conductors:
0.5 - 4 mm² - AWG 20 - 12
 - conductors stripping length: 7 mm
 - terminal screw torque: 0.5 Nm



- CMEX: or bush terminal conductors
- inserts without plate, for section conductors:
0.25 - 2.5 mm² - AWG 24 - 14
 - conductors stripping length: 7 mm
 - terminal screw torque: 0.5 Nm

California Proposition 65 Information



WARNING

This product can expose you to lead and its compounds, known to the State of California to cause cancer and/or reproductive toxicity. For more information go to www.P65Warnings.ca.gov.

California Proposition 65 Information



WARNING

This product can expose you to lead and its compounds, known to the State of California to cause cancer and/or reproductive toxicity. For more information go to www.P65Warnings.ca.gov.