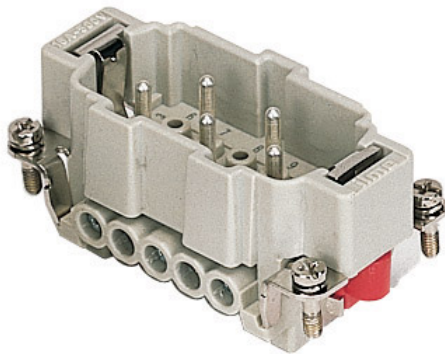


Part number

CMEM 03 T



Male insert, CME series, screw terminal connection, 3 poles + PE, 16 A 830 V 8 kV 3 / 16 A 500 V 6 kV 3, size "57.27", with plate

Product description

Product type	Insert
Series	CME
Connection type	Screw terminal connection
Gender	Male
N. of poles	3 poles +
Auxiliary poles	2 poles
Size	Size 57.27
Specification	With plate, also for non-prepared conductors

Technical data

Current	16 A
Voltage	830 V
Rated impulse withstand voltage	8 kV
Pollution degree	3
Rated voltage according to UL/CSA	600 V
Wire cross-section	0,50 mm ² - 4,00 mm ²
AWG size	20 - 12
Contact type	Turned silver plated
IP degree of protection	IP20 without enclosure, IP65/IP66 with enclosure

Further technical details

Characteristics according to EN 61984	16A 830V 8kV 3 (aux: 16A 500V 6kV 3); 16A 1000V 8kV 2 (power contacts only)
Mating cycles	≥ 500
Insulation resistance	≥ 10 GΩ
Contact resistance	≤ 1 mΩ
Weight	52,50 g
Operating temperature range (min, max)	-40 °C ... +125 °C
UL 94 flammability rating	V-0
Torque for main contact	M3: 0,5 Nm; 4,4 lb.in (Ph0 or 0,8 x 4 mm)

Material properties

Main material	Polycarbonate (PC)
Other materials	Contacts: copper alloy
Colour	RAL 7032 grey
RoHs conformity	Compliant with exemption 6(c): copper alloy containing up to 4% lead by weight
China RoHs - EFUP	50
REACH SVHC substances	Yes Lead
SCIP number	1a9c93ff-0445-4a16-81e3-1609ac5274d6

Approvals / Standards

Reference standard	EN 61984:2009-06
Certifications	CSA, CQC, DNV, BV, EAC
UL	ECBT2
cUL	ECBT8

General ordering information

EAN13 code	8015747127943
ETIM 7.0	EC000438

Packaging Information

Packaging length	210,00 mm
Packaging height	75,00 mm
Packaging width	180,00 mm
Packaging weight	1,80 kg
Packaging volume	2,84 dm ³
Packaging description	Carton box
Packaging quantity	30 Pcs
Packaging EAN code	8015747128131
Sub-packaging length	67,00 mm
Sub-packaging height	36,00 mm
Sub-packaging width	180,00 mm
Sub-packaging weight	0,30 kg
Sub-packaging volume	0,43 dm ³
Sub-packaging description	Carton tray
Sub-packaging quantity	5 Pcs
Sub-packaging EAN barcode	8015747128148

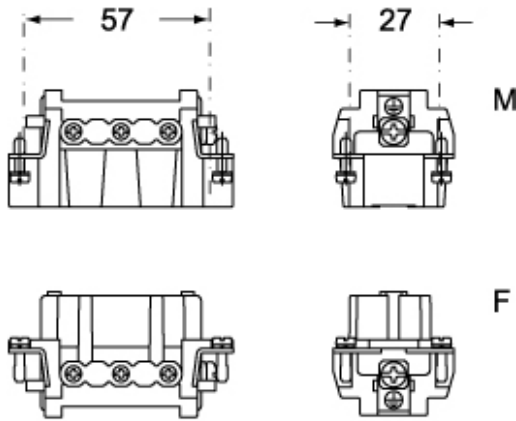
Part number

CMEM 03 T

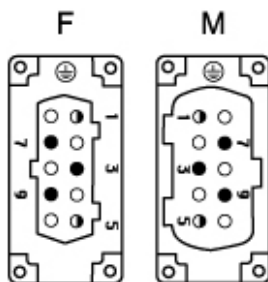


Catalogue drawings

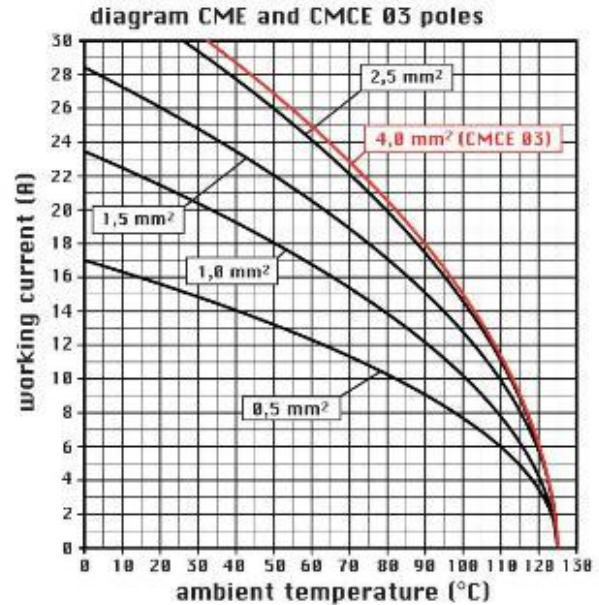
CMEM 03



CMEF 03



Catalogue drawings



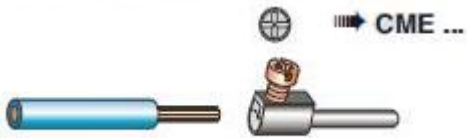
Notes

CMEF/M 03 T inserts

- characteristics according to EN 61984:
 - 16A 830V 8kV 3
 - 16A 1000V 8kV 2
 - 16A 720/1250V 8kV 2
 - auxiliary contacts: 16A 500V 6kV 3
 - UL, CSA, CCC, GOST certified
 - rated voltage according to UL/CSA: 600V
 - insulation resistance: > 10 GOhm
 - ambient temperature limit: -40 °C ... +125 °C
 - are made of self-extinguishing thermoplastic resin UL 94 V0
 - mechanical life: > 500 cycles
 - contact resistance: < 1 mOhm
 - enclosures: size 57.27
- insulated 830V
T-TYPE IP65 insulating
W-TYPE aggressive environments
IP68

Dimensions shown in mm are not binding and may be changed without notice.

- CME.....: for non-prepared conductors
- inserts with plate, for section conductors:
 - 0.5 - 4 mm² - AWG 20 - 12
- conductors stripping length: 7 mm
- terminal screw torque: 0.5 Nm



- CMEX: or bush terminal conductors
- inserts without plate, for section conductors:
0.25 - 2.5 mm² - AWG 24 - 14
 - conductors stripping length: 7 mm
 - terminal screw torque: 0.5 Nm
-

California Proposition 65 Information



WARNING

This product can expose you to lead and its compounds, known to the State of California to cause cancer and/or reproductive toxicity. For more information go to www.P65Warnings.ca.gov.

California Proposition 65 Information



WARNING

This product can expose you to lead and its compounds, known to the State of California to cause cancer and/or reproductive toxicity. For more information go to www.P65Warnings.ca.gov.
