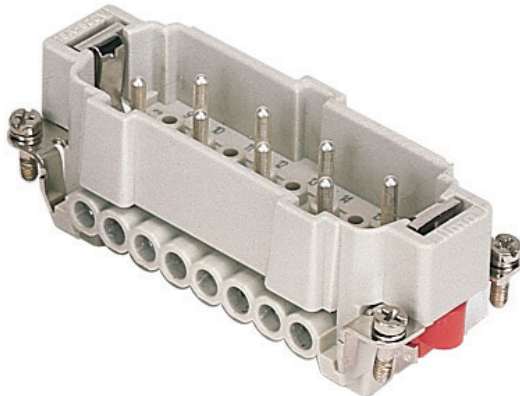


Part number

CMEM 06 TX



Male insert, CME series, screw terminal connection, 6 + 2 poles + PE, 16 A 830 V 8 kV 3 / 16 A 500 V 6 kV 3, size "77.27", without plate

Product description	
Product type	Insert
Series	CME
Connection type	Screw terminal connection
Gender	Male
N. of poles	6 poles + \oplus
Auxiliary poles	2 poles
Size	Size 77.27
Specification	Without plate, for prepared conductors

Technical data	
Current	16 A
Voltage	830 V
Rated impulse withstand voltage	8 kV
Pollution degree	3
Rated voltage according to UL/CSA	600 V
Wire cross-section	0,25 mm ² - 2,50 mm ²
AWG size	24 - 14
Contact type	Turned silver plated
IP degree of protection	IP20 without enclosure, IP65/IP66 with enclosure

Further technical details	
Characteristics according to EN 61984	16A 830V 8kV 3 (aux: 16A 500V 6kV 3); 16A 1000V 8kV 2 (power contacts only)
Mating cycles	≥ 500
Insulation resistance	≥ 10 GΩ
Contact resistance	≤ 1 mΩ
Weight	68,50 g
Operating temperature range (min, max)	-40 °C ... +125 °C
UL 94 flammability rating	V-0
Torque for main contact	M3: 0,5 Nm; 4,4 lb.in (Ph0 or 0,8 x 4 mm)

Material properties	
Main material	Polycarbonate (PC)
Other materials	Contacts: copper alloy
Colour	RAL 7032 grey
RoHs conformity	Compliant with exemption 6(c): copper alloy containing up to 4% lead by weight
China RoHs - EFUP	50
REACH SVHC substances	Yes Lead
SCIP number	1a9c93ff-0445-4a16-81e3-1609ac5274d6

Approvals / Standards	
Reference standard	EN 61984:2009-06
Certifications	CSA, CQC, DNV, BV, EAC
UL	ECBT2
cUL	ECBT8

General ordering information	
EAN13 code	8015747148863
ETIM 7.0	EC000438

Packaging Information	
Packaging length	230,00 mm
Packaging height	110,00 mm
Packaging width	180,00 mm
Packaging weight	2,43 kg
Packaging volume	4,55 dm ³
Packaging description	Carton box
Packaging quantity	30 Pcs
Packaging EAN code	8015747189729
Sub-packaging length	87,00 mm
Sub-packaging height	36,00 mm
Sub-packaging width	180,00 mm
Sub-packaging weight	0,41 kg
Sub-packaging volume	0,56 dm ³
Sub-packaging description	Carton tray
Sub-packaging quantity	5 Pcs
Sub-packaging EAN barcode	8015747189736

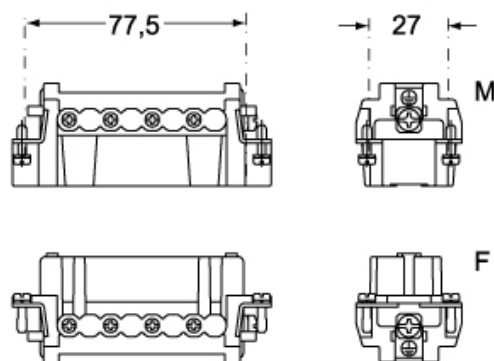
Part number

CMEM 06 TX

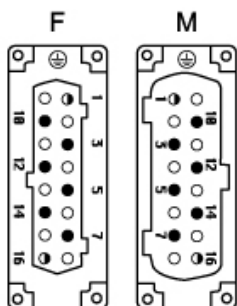


Catalogue drawings

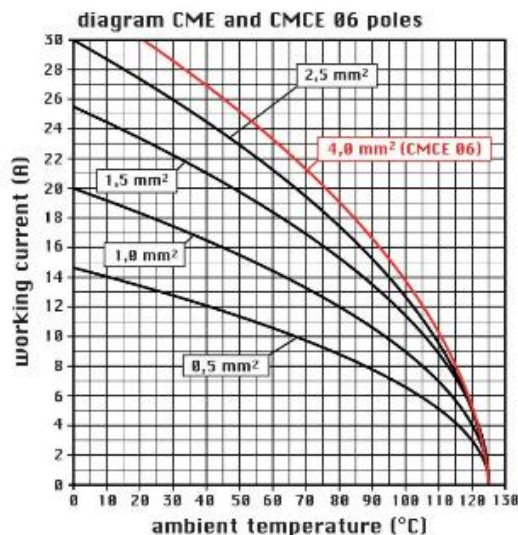
CMEM 06



CMEF 06



Catalogue drawings



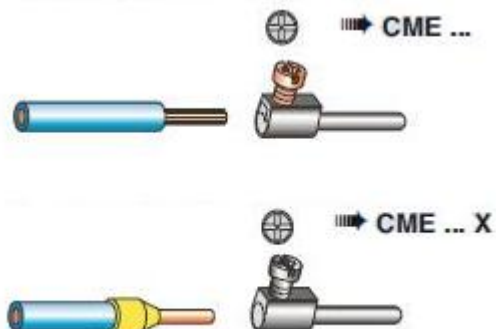
Notes

CMEF/M 06 TX inserts

- characteristics according to EN 61984:
 - 16A 830V 8kV 3
 - 16A 1000V 8kV 2
 - 16A 720/1250V 8kV 2
- auxiliary contacts: 16A 500V 6kV 3
- UL, CSA, CCC, GOST certified
- rated voltage according to UL/CSA: 600V
- insulation resistance: > 10 GOhm
- ambient temperature limit: -40 °C ... +125 °C
- are made of self-extinguishing thermoplastic resin UL 94 V0
- mechanical life: > 500 cycles
- contact resistance: < 1 mOhm (CME)
- enclosures: size 77.27:
 - insulated 830V
 - T-TYPE IP65 insulating
 - W-TYPE aggressive environments
 - IP68
 - panel supports: COB

without notice.

- CME....: for non-prepared conductors
- inserts with plate, for section conductors:
 - 0.5 - 4 mm² - AWG 20 - 12
 - conductors stripping length: 7 mm
 - terminal screw torque: 0.5 Nm



Dimensions shown in mm are not binding and may be changed

CMEX: or bush terminal conductors
- inserts without plate, for section conductors:
0.25 - 2.5 mm² - AWG 24 - 14
- conductors stripping length: 7 mm
- terminal screw torque: 0.5 Nm

California Proposition 65 Information



WARNING

This product can expose you to lead and its compounds, known to the State of California to cause cancer and/or reproductive toxicity. For more information go to www.P65Warnings.ca.gov.

California Proposition 65 Information



WARNING

This product can expose you to lead and its compounds, known to the State of California to cause cancer and/or reproductive toxicity. For more information go to www.P65Warnings.ca.gov.
