

Part number

CNEF 06 RY



Female insert, CNE RY series, screw terminal connection, 6 poles + PE, 16 A 500 V 6 kV 3, size "44.27", for applications up to 180°C, with plate

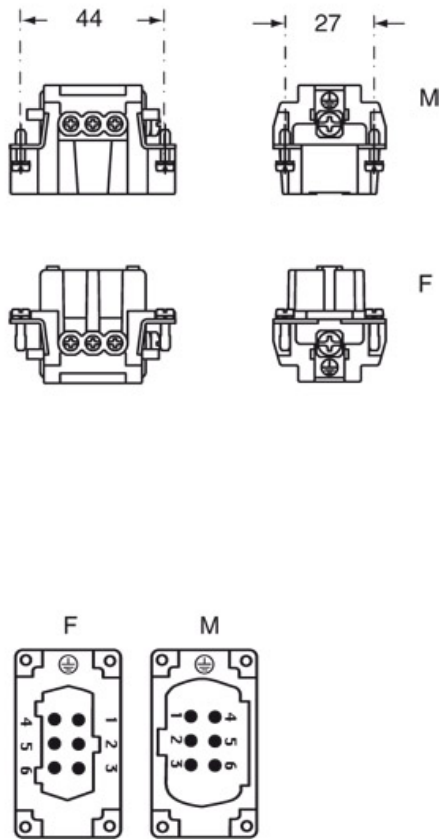
Product description		Material properties	
Product type	Insert	Main material	Polyphenylene sulfide (PPS)
Series	CNE RY	Other materials	Contacts: copper alloy
Connection type	Screw terminal connection		Compliant with exemption 6(c): copper alloy containing up to 4% lead by weight
Gender	Female	RoHs conformity	
N. of poles	6 poles +	China RoHs - EFUP	50
Size	Size 44.27	REACH SVHC substances	Yes Lead
Specification	With plate For applications up to 180°C	SCIP number	1a9c93ff-0445-4a16-81e3-1609ac5274d6
Technical data		Approvals / Standards	
Current	16 A	Reference standard	EN 61984:2009-06
Voltage	500 V	Certifications	CSA, CQC, DNV, BV, EAC
Rated impulse withstand voltage	6 kV	UL	ECBT2
Pollution degree	3	cUL	ECBT8
Rated voltage according to UL/CSA	600 V	General ordering information	
Wire cross-section	0,50 mm ² - 4,00 mm ²	EAN13 code	8015747109000
AWG size	20 - 12	eCl@ss 8.1	27440205
Contact type	Turned silver plated	ETIM 7.0	EC000438
IP degree of protection	IP20 without enclosure, IP65 with enclosure	Packaging Information	
Further technical details		Packaging length	270,00 mm
Characteristics according to EN 61984	16A 500V 6kV 3; 16A 400/690V 6kV 2	Packaging height	75,00 mm
Mating cycles	≥ 500	Packaging width	180,00 mm
Insulation resistance	≥ 10 GΩ	Packaging weight	3,24 kg
Contact resistance	≤ 1 mΩ	Packaging volume	3,65 dm ³
Weight	48,00 g	Packaging description	Carton box
Operating temperature range (min, max)	-40°C ... +180°C	Packaging quantity	60 Pcs
Conductors stripping length	7 mm	Packaging EAN code	8015747109918
UL 94 flammability rating	V-0	Sub-packaging length	104,00 mm
Torque for main contact	M3: 0.5 Nm; 4.4 lb.in (Ph0 or 0,8 x 4)	Sub-packaging height	36,00 mm
Tightening torque for PE connection	M3: 0.5 Nm; 4.4 lb.in (Ph0 or 0,8 x 4)	Sub-packaging width	180,00 mm
Tightening torque for fixing screws	M3: 0.5 Nm; 4.4 lb.in (Ph0 or 0,8 x 4)	Sub-packaging weight	0,54 kg
		Sub-packaging volume	0,67 dm ³
		Sub-packaging description	Carton tray
		Sub-packaging quantity	10 Pcs
		Sub-packaging EAN barcode	8015747109925

Part number

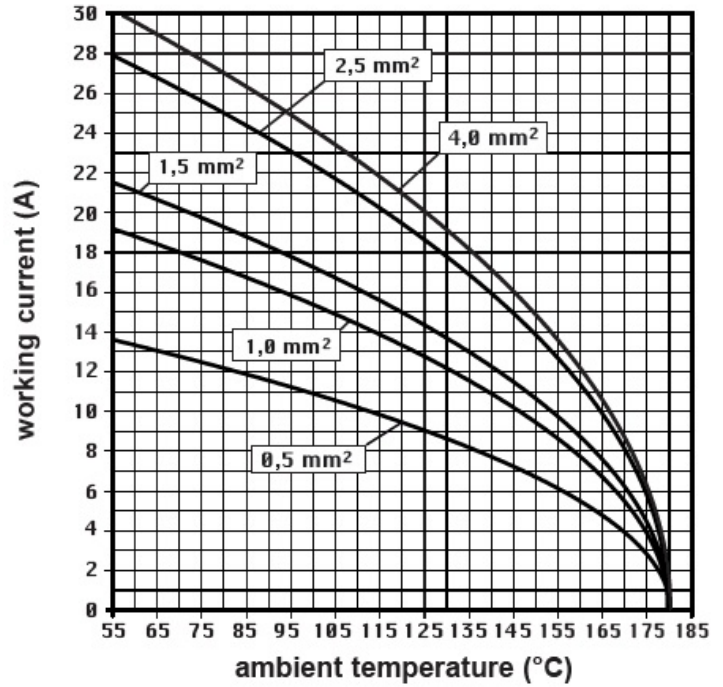
CNEF 06 RY



Catalogue drawings



Derating curves



Notes

Dimensions shown in mm are not binding and may be changed without notice.

- CNE...RY: for non-prepared conductors
- inserts with plate for section conductors: 0.5 - 4 mm² - AWG 20 - 12
- conductors stripping length: 7 mm
- terminal screw torque: 0.5 Nm



California Proposition 65 Information



WARNING

This product can expose you to lead and its compounds, known to the State of California to cause cancer and/or reproductive toxicity. For more information go to www.P65Warnings.ca.gov.

California Proposition 65 Information



WARNING

This product can expose you to lead and its compounds, known to the State of California to cause cancer and/or reproductive toxicity. For more information go to www.P65Warnings.ca.gov.
