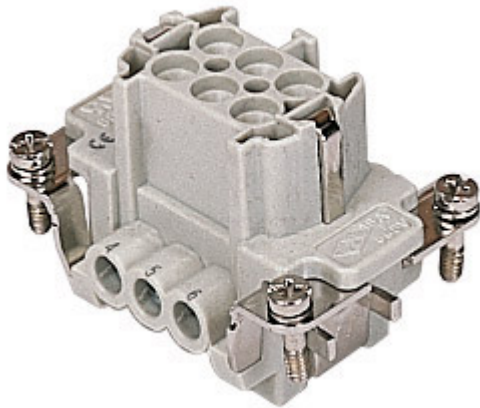


Part number

# CNEF 06 TX



Female insert, CNE series, screw terminal connection, 6 poles + PE, 16 A 500 V 6 kV 3, size "44.27", without plate

| Product description                           |  |
|---|--|
| <b>Product type</b>                           | Insert   |
| <b>Series</b>                                 | CNE  |
| <b>Connection type</b>                        | Screw terminal connection                                  |
| <b>Gender</b>                                 | Female   |
| <b>N. of poles</b>                            | 6 poles + $\perp$  |
| <b>Size</b>                                   | Size 44.27   |
| <b>Specification</b>                          | Without plate, for prepared conductors                     |
| Technical data                                |  |
| <b>Current</b>                                | 16 A   |
| <b>Voltage</b>                                | 500 V  |
| <b>Rated impulse withstand voltage</b>        | 6 kV   |
| <b>Pollution degree</b>                       | 3  |
| <b>Rated voltage according to UL/CSA</b>      | 600 V  |
| <b>Wire cross-section</b>                     | 0,25 mm <sup>2</sup> - 2,50 mm <sup>2</sup>                |
| <b>AWG size</b>                               | 24 - 14  |
| <b>Contact type</b>                           | Turned silver plated                                       |
| <b>IP degree of protection</b>                | IP20 without enclosure, IP65/IP66/IP68/IP69 with enclosure |
| Further technical details                     |  |
| <b>Characteristics according to EN 61984</b>  | 16A 500V 6kV 3; 16A 400/690V 6kV 2                         |
| <b>Mating cycles</b>                          | ≥ 500  |
| <b>Insulation resistance</b>                  | ≥ 10 GΩ  |
| <b>Contact resistance</b>                     | ≤ 1 mΩ   |
| <b>Weight</b>                                 | 55,00 g  |
| <b>Operating temperature range (min, max)</b> | -40 °C ... +125 °C   |
| <b>Conductors stripping length</b>            | 7 mm   |
| <b>UL 94 flammability rating</b>              | V-0  |
| <b>Torque for main contact</b>                | M3: 0,5 Nm; 4,4 lb.in (Ph0 or 0,8 x 4 mm)                  |

| Material properties              |  |
|----------------------------------|--|
| <b>Main material</b>             | Polycarbonate (PC)   |
| <b>Other materials</b>           | Contacts: copper alloy   |
| <b>Colour</b>                    | RAL 7032 grey  |
| <b>RoHs conformity</b>           | Compliant with exemption 6(c): copper alloy containing up to 4% lead by weight |
| <b>China RoHs - EFUP</b>         | 50   |
| <b>REACH SVHC substances</b>     | Yes<br>Lead  |
| <b>SCIP number</b>               | 1a9c93ff-0445-4a16-81e3-1609ac5274d6   |
| Approvals / Standards            |  |
| <b>Reference standard</b>        | EN 61984:2009-06   |
| <b>Certifications</b>            | CSA, CQC, DNV, BV, EAC   |
| <b>UL</b>                        | ECBT2, PVVA2   |
| <b>cUL</b>                       | ECBT8, PVVA8   |
| General ordering information     |  |
| <b>EAN13 code</b>                | 8015747032100  |
| <b>eCl@ss 8.1</b>                | 27440205   |
| <b>ETIM 7.0</b>                  | EC000438   |
| Packaging Information            |  |
| <b>Packaging length</b>          | 270,00 mm  |
| <b>Packaging height</b>          | 75,00 mm   |
| <b>Packaging width</b>           | 180,00 mm  |
| <b>Packaging weight</b>          | 3,30 kg  |
| <b>Packaging volume</b>          | 3,65 dm <sup>3</sup>   |
| <b>Packaging description</b>     | Carton box   |
| <b>Packaging quantity</b>        | 60 Pcs   |
| <b>Packaging EAN code</b>        | 8015747032117  |
| <b>Sub-packaging length</b>      | 104,00 mm  |
| <b>Sub-packaging height</b>      | 36,00 mm   |
| <b>Sub-packaging width</b>       | 180,00 mm  |
| <b>Sub-packaging weight</b>      | 0,55 kg  |
| <b>Sub-packaging volume</b>      | 0,67 dm <sup>3</sup>   |
| <b>Sub-packaging description</b> | Carton tray  |
| <b>Sub-packaging quantity</b>    | 10 Pcs   |
| <b>Sub-packaging EAN barcode</b> | 8015747032124  |

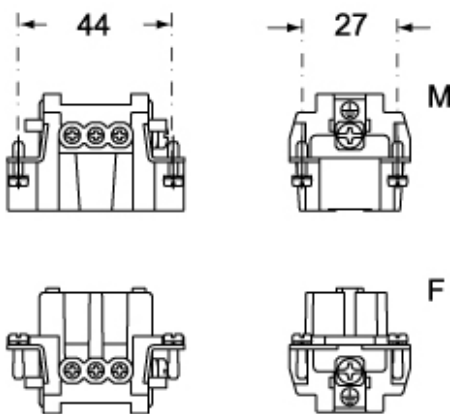
Part number

# CNEF 06 TX

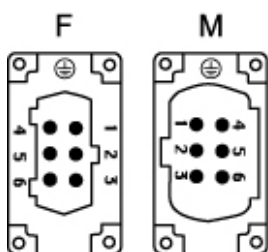


## Catalogue drawings

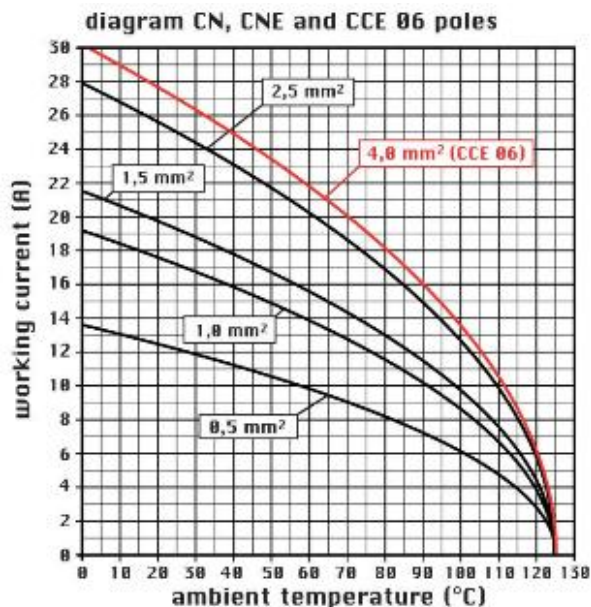
### CNEM 06



### CNEF 06



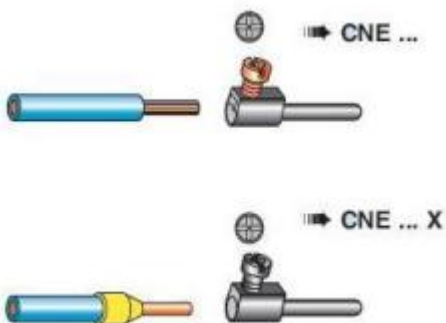
## Catalogue drawings



## Notes

Dimensions shown in mm are not binding and may be changed without notice.

CNE ... : for non-prepared conductors



CNE ... X : for conductors with bush terminal

### California Proposition 65 Information



**WARNING**

This product can expose you to lead and its compounds, known to the State of California to cause cancer and/or reproductive toxicity. For more information go to [www.P65Warnings.ca.gov](http://www.P65Warnings.ca.gov).

## California Proposition 65 Information



### **WARNING**

This product can expose you to lead and its compounds, known to the State of California to cause cancer and/or reproductive toxicity. For more information go to [www.P65Warnings.ca.gov](http://www.P65Warnings.ca.gov).

---