

Part number

# CNEF 10 RY



Female insert, CNE RY series, screw terminal connection, 10 poles + PE, 16 A 500 V 6 kV 3, size "57.27", for applications up to 180°C, with plate

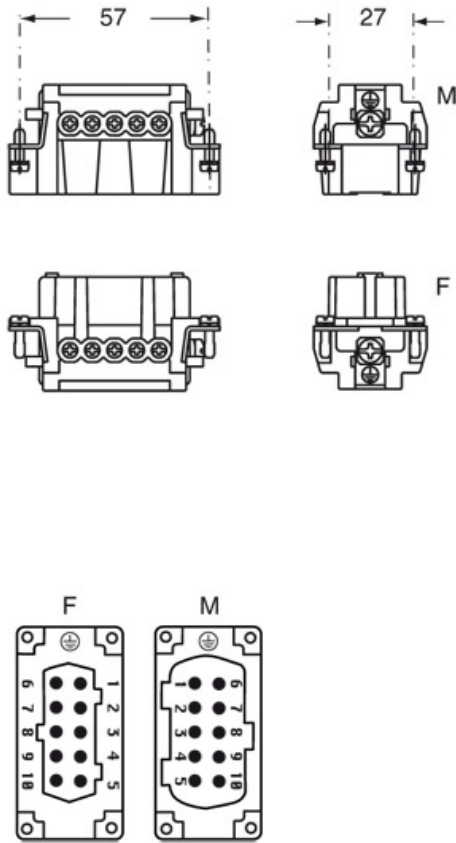
<b>Product description</b>		<b>Material properties</b>	
<b>Product type</b>	Insert	<b>Main material</b>	Polyphenylene sulfide (PPS)
<b>Series</b>	CNE RY	<b>Other materials</b>	Contacts: copper alloy
<b>Connection type</b>	Screw terminal connection		Compliant with exemption 6(c): copper alloy containing up to 4% lead by weight
<b>Gender</b>	Female	<b>RoHs conformity</b>	
<b>N. of poles</b>	10 poles +	<b>China RoHs - EFUP</b>	50
<b>Size</b>	Size 57.27	<b>REACH SVHC substances</b>	Yes Lead
<b>Specification</b>	With plate For applications up to 180°C	<b>SCIP number</b>	1a9c93ff-0445-4a16-81e3-1609ac5274d6
<b>Technical data</b>		<b>Approvals / Standards</b>	
<b>Current</b>	16 A	<b>Reference standard</b>	EN 61984:2009-06
<b>Voltage</b>	500 V	<b>Certifications</b>	CSA, CQC, DNV, BV, EAC
<b>Rated impulse withstand voltage</b>	6 kV	<b>UL</b>	ECBT2
<b>Pollution degree</b>	3	<b>cUL</b>	ECBT8
<b>Rated voltage according to UL/CSA</b>	600 V	<b>General ordering information</b>	
<b>Wire cross-section</b>	0,50 mm <sup>2</sup> - 4,00 mm <sup>2</sup>	<b>EAN13 code</b>	8015747109017
<b>AWG size</b>	20 - 12	<b>eCl@ss 8.1</b>	27440205
<b>Contact type</b>	Turned silver plated	<b>ETIM 7.0</b>	EC000438
<b>IP degree of protection</b>	IP20 without enclosure, IP65 with enclosure	<b>Packaging Information</b>	
<b>Further technical details</b>		<b>Packaging length</b>	210,00 mm
<b>Characteristics according to EN 61984</b>	16A 500V 6kV 3; 16A 400/690V 6kV 2	<b>Packaging height</b>	75,00 mm
<b>Mating cycles</b>	≥ 500	<b>Packaging width</b>	180,00 mm
<b>Insulation resistance</b>	≥ 10 GΩ	<b>Packaging weight</b>	2,13 kg
<b>Contact resistance</b>	≤ 1 mΩ	<b>Packaging volume</b>	2,84 dm <sup>3</sup>
<b>Weight</b>	70,00 g	<b>Packaging description</b>	Carton box
<b>Operating temperature range (min, max)</b>	-40°C ... +180°C	<b>Packaging quantity</b>	30 Pcs
<b>Conductors stripping length</b>	7 mm	<b>Packaging EAN code</b>	8015747109956
<b>UL 94 flammability rating</b>	V-0	<b>Sub-packaging length</b>	67,00 mm
<b>Torque for main contact</b>	M3: 0.5 Nm; 4.4 lb.in (Ph0 or 0,8 x 4)	<b>Sub-packaging height</b>	36,00 mm
<b>Tightening torque for PE connection</b>	M3: 0,5 Nm; 4,4 lb.in (Ph0 or 0,8 x 4)	<b>Sub-packaging width</b>	180,00 mm
<b>Tightening torque for fixing screws</b>	M3: 0.5 Nm; 4.4 lb.in (Ph0 or 0,8 x 4)	<b>Sub-packaging weight</b>	0,36 kg
		<b>Sub-packaging volume</b>	0,43 dm <sup>3</sup>
		<b>Sub-packaging description</b>	Carton tray
		<b>Sub-packaging quantity</b>	5 Pcs
		<b>Sub-packaging EAN barcode</b>	8015747109963

Part number

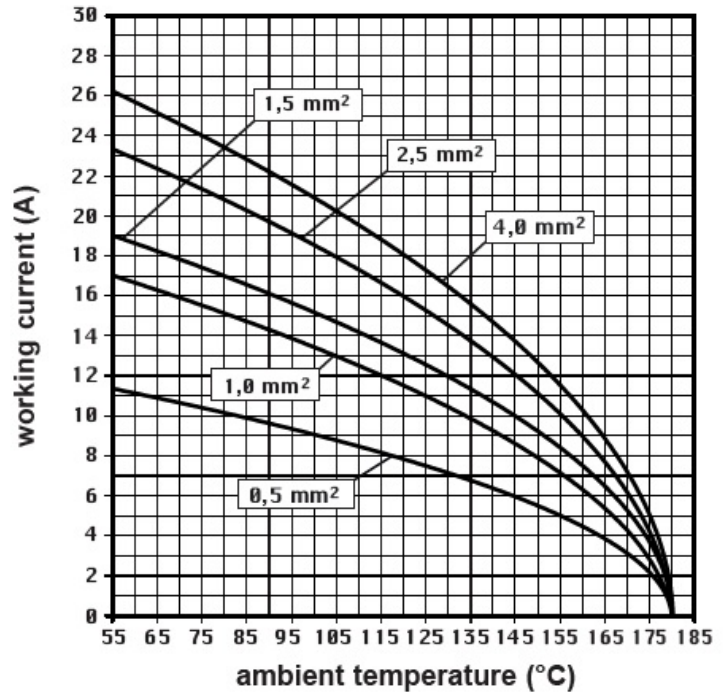
# CNEF 10 RY



## Catalogue drawings



## Derating curves



## Notes

CNEF/M 10 RY inserts:

- characteristics according to EN 61984:  
16A 500V 6kV 3  
16A 400/690V 6kV 2
- rated voltage according to UL/CSA: 600V
- insulation resistance: > 10 GOhm
- ambient temperature limit: -40 °C ... +180 °C
- are made of self-extinguishing thermoplastic resin UL 94 V0
- mechanical life: > 500 cycles
- contact resistance: < 1 mOhm
- for maximum current load
- enclosures: size 57.27:  
for 180 °C

- CNE...RY: for non-prepared conductors
- inserts with plate for section conductors:  
0.5 - 4 mm<sup>2</sup> - AWG 20 - 12
  - conductors stripping length: 7 mm
  - terminal screw torque: 0.5 Nm



Dimensions shown in mm are not binding and may be changed without notice.

**California Proposition 65 Information**



**WARNING**

This product can expose you to lead and its compounds, known to the State of California to cause cancer and/or reproductive toxicity. For more information go to [www.P65Warnings.ca.gov](http://www.P65Warnings.ca.gov).

---

**California Proposition 65 Information**



**WARNING**

This product can expose you to lead and its compounds, known to the State of California to cause cancer and/or reproductive toxicity. For more information go to [www.P65Warnings.ca.gov](http://www.P65Warnings.ca.gov).

---