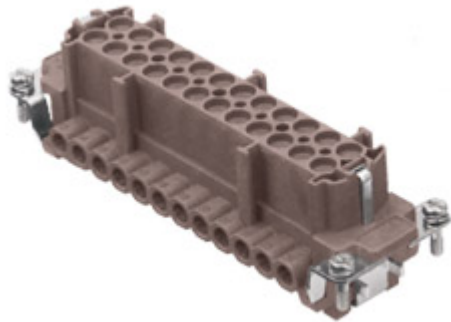


Part number

CNEF 24 RY



Female insert, CNE RY series, screw terminal connection, 24 poles + PE, 16 A 500 V 6 kV 3, size "104.27", for applications up to 180°C, with plate

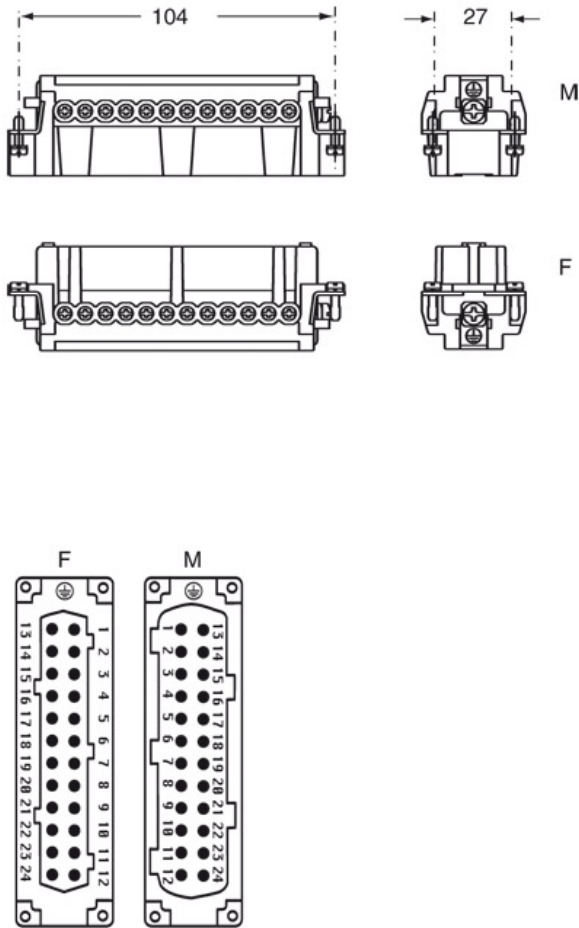
Product description		Material properties	
Product type	Insert	Main material	Polyphenylene sulfide (PPS)
Series	CNE RY	Other materials	Contacts: copper alloy
Connection type	Screw terminal connection	RoHs conformity	Compliant with exemption 6(c): copper alloy containing up to 4% lead by weight
Gender	Female	China RoHs - EFUP	50
N. of poles	24 poles +	REACH SVHC substances	Yes Lead
Size	Size 104.27	SCIP number	1a9c93ff-0445-4a16-81e3-1609ac5274d6
Specification	With plate For applications up to 180°C	Approvals / Standards	
Technical data		Reference standard	EN 61984:2009-06
Current	16 A	Certifications	CSA, CQC, DNV, BV, EAC
Voltage	500 V	UL	ECBT2
Rated impulse withstand voltage	6 kV	cUL	ECBT8
Pollution degree	3	General ordering information	
Rated voltage according to UL/CSA	600 V	EAN13 code	8015747109031
Wire cross-section	0,50 mm ² - 4,00 mm ²	eCl@ss 8.1	27440205
AWG size	20 - 12	ETIM 7.0	EC000438
Contact type	Turned silver plated	Packaging Information	
IP degree of protection	IP20 without enclosure, IP65 with enclosure	Packaging length	270,00 mm
Further technical details		Packaging height	75,00 mm
Characteristics according to EN 61984	16A 500V 6kV 3; 16A 400/690V 6kV 2	Packaging width	180,00 mm
Mating cycles	≥ 500	Packaging weight	3,86 kg
Insulation resistance	≥ 10 GΩ	Packaging volume	3,65 dm ³
Contact resistance	≤ 1 mΩ	Packaging description	Carton box
Weight	116,00 g	Packaging quantity	30 Pcs
Operating temperature range (min, max)	-40°C ... +180°C	Packaging EAN code	8015747110037
Conductors stripping length	7 mm	Sub-packaging length	113,00 mm
UL 94 flammability rating	V-0	Sub-packaging height	36,00 mm
Torque for main contact	M3: 0.5 Nm; 4.4 lb.in (Ph0 or 0,8 x 4)	Sub-packaging width	180,00 mm
Tightening torque for PE connection	M3: 0,5 Nm; 4,4 lb.in (Ph0 or 0,8 x 4)	Sub-packaging weight	0,64 kg
Tightening torque for fixing screws	M3: 0.5 Nm; 4.4 lb.in (Ph0 or 0,8 x 4)	Sub-packaging volume	0,73 dm ³
		Sub-packaging description	Carton tray
		Sub-packaging quantity	5 Pcs
		Sub-packaging EAN barcode	8015747110044

Part number

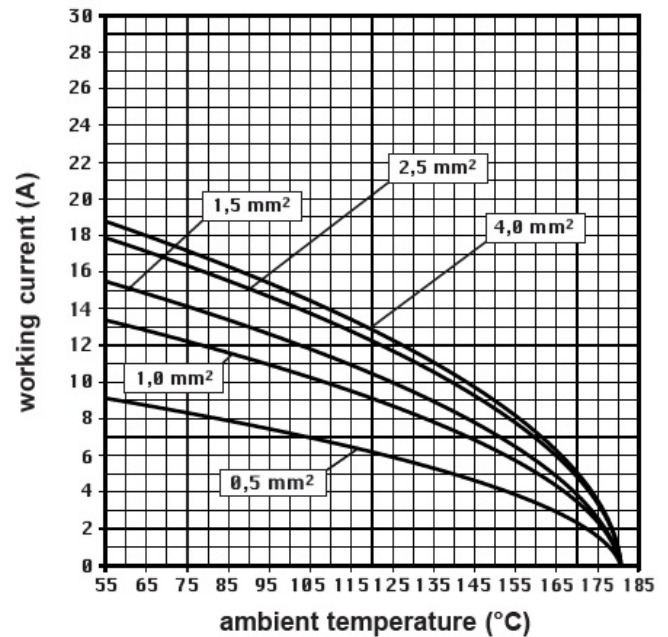
CNEF 24 RY



Catalogue drawings



Derating curves



Notes

CNEF/M 24 RY inserts:

- characteristics according to EN 61984:
16A 500V 6kV 3
16A 400/690V 6kV 2
- rated voltage according to UL/CSA: 600V
- insulation resistance: > 10 GOhm
- ambient temperature limit: -40 °C ... +180 °C
- are made of self-extinguishing thermoplastic resin UL 94 V0
- mechanical life: > 500 cycles
- contact resistance: < 1 mOhm
- for maximum current load
- enclosures: size 104.27:
for 180 °C

- CNE...RY: for non-prepared conductors
- inserts with plate for section conductors:
0.5 - 4 mm² - AWG 20 - 12
- conductors stripping length: 7 mm
- terminal screw torque: 0.5 Nm



Dimensions shown in mm are not binding and may be changed without notice.

California Proposition 65 Information



WARNING

This product can expose you to lead and its compounds, known to the State of California to cause cancer and/or reproductive toxicity. For more information go to www.P65Warnings.ca.gov.

California Proposition 65 Information



WARNING

This product can expose you to lead and its compounds, known to the State of California to cause cancer and/or reproductive toxicity. For more information go to www.P65Warnings.ca.gov.
