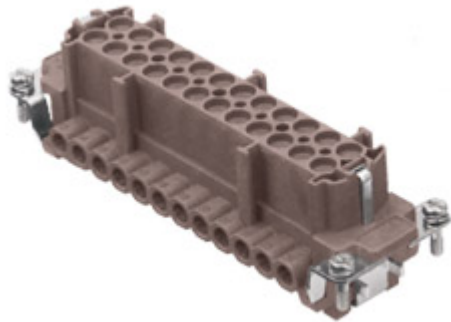


Part number

CNEFD 24 RY



Female insert, CNE RY series, screw terminal connection, 24 poles + PE, 16 A 500 V 6 kV 3, size "104.27", for applications up to 180°C, with plate

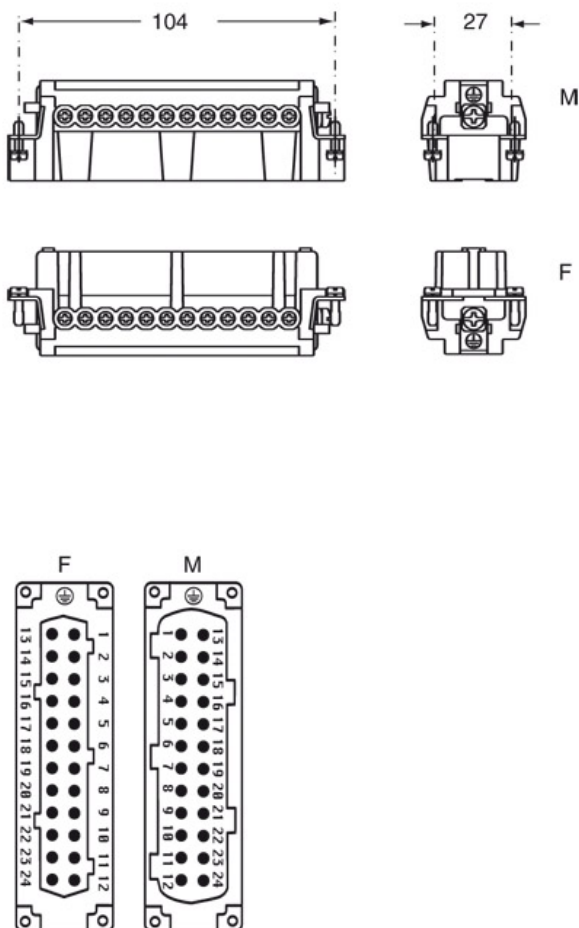
Product description		Material properties	
Product type	Insert	Main material	Polyphenylene sulfide (PPS)
Series	CNE RY	Other materials	Contacts: copper alloy
Connection type	Screw terminal connection	RoHs conformity	Compliant with exemption 6(c): copper alloy containing up to 4% lead by weight
Gender	Female	China RoHs - EFUP	50
N. of poles	24 poles +	REACH SVHC substances	Yes Lead
Size	Size 104.27	SCIP number	1a9c93ff-0445-4a16-81e3-1609ac5274d6
Specification	With plate For applications up to 180°C	Approvals / Standards	
Technical data		Reference standard	EN 61984:2009-06
Current	16 A	Certifications	CSA, CQC, DNV, BV, EAC
Voltage	500 V	UL	ECBT2
Rated impulse withstand voltage	6 kV	cUL	ECBT8
Pollution degree	3	General ordering information	
Rated voltage according to UL/CSA	600 V	EAN13 code	8015747138772
Wire cross-section	0,50 mm ² - 4,00 mm ²	ETIM 7.0	EC000438
AWG size	20 - 12	Packaging Information	
Contact type	Turned gold plated	Packaging length	270,00 mm
IP degree of protection	IP20 without enclosure, IP65 with enclosure	Packaging height	75,00 mm
Further technical details		Packaging width	180,00 mm
Characteristics according to EN 61984	16A 500V 6kV 3; 16A 400/690V 6kV 2	Packaging weight	3,72 kg
Mating cycles	≥ 500	Packaging volume	3,65 dm ³
Insulation resistance	≥ 10 GΩ	Packaging description	Carton box
Contact resistance	≤ 1 mΩ	Packaging quantity	30 Pcs
Weight	120,70 g	Packaging EAN code	8015747139076
Operating temperature range (min, max)	-40°C ... +180°C	Sub-packaging length	113,00 mm
Conductors stripping length	7 mm	Sub-packaging height	36,00 mm
UL 94 flammability rating	V-0	Sub-packaging width	180,00 mm
Torque for main contact	M3: 0.5 Nm; 4.4 lb.in (Ph0 or 0,8 x 4)	Sub-packaging weight	0,62 kg
Tightening torque for PE connection	M3: 0,5 Nm; 4,4 lb.in (Ph0 or 0,8 x 4)	Sub-packaging volume	0,73 dm ³
Tightening torque for fixing screws	M3: 0.5 Nm; 4.4 lb.in (Ph0 or 0,8 x 4)	Sub-packaging description	Carton tray
		Sub-packaging quantity	5 Pcs
		Sub-packaging EAN barcode	8015747139083

Part number

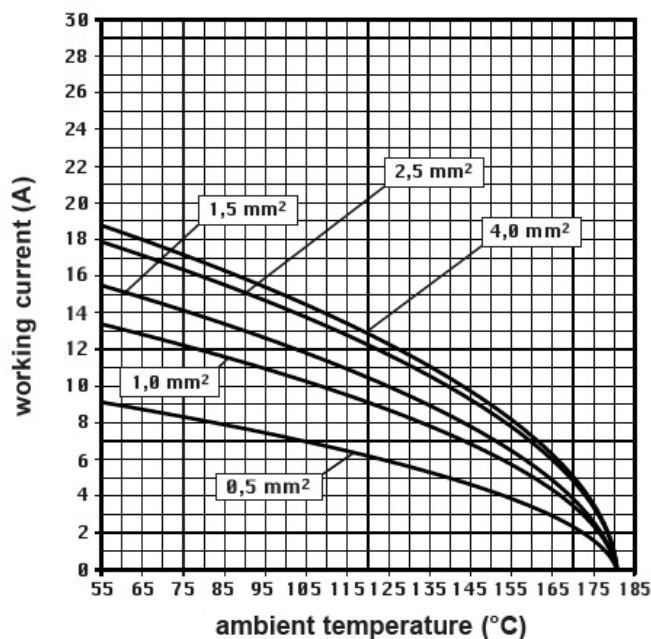
CNEFD 24 RY



Catalogue drawings



Derating curves



Notes

Dimensions shown in mm are not binding and may be changed without notice.

- CNE...RY: for non-prepared conductors
- inserts with plate for section conductors:
0.5 - 4 mm² - AWG 20 - 12
- conductors stripping length: 7 mm
- terminal screw torque: 0.5 Nm



California Proposition 65 Information



WARNING

This product can expose you to lead and its compounds, known to the State of California to cause cancer and/or reproductive toxicity. For more information go to www.P65Warnings.ca.gov.

California Proposition 65 Information



WARNING

This product can expose you to lead and its compounds, known to the State of California to cause cancer and/or reproductive toxicity. For more information go to www.P65Warnings.ca.gov.
