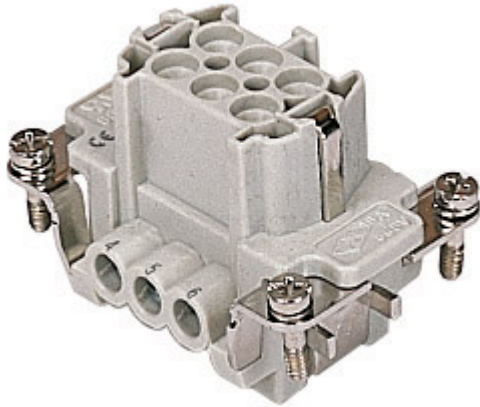



Part number

CNEF 06 T



Female insert, CNE series, screw terminal connection, 6 poles + PE, 16 A 500 V 6 kV 3, size "44.27", with plate

| Product description | |
|------------------------|---|
| Product type | Insert |
| Series | CNE |
| Connection type | Screw terminal connection |
| Gender | Female |
| N. of poles | 6 poles +  |
| Size | Size "44.27" |
| Specification | With plate |

| Technical data | |
|--|---|
| Current | 16 A |
| Voltage | 500 V |
| Rated impulse withstand voltage | 6 kV |
| Pollution degree | 3 |
| Rated voltage according to UL/CSA | 600 V |
| Wire cross-section | 0,50 mm ² - 4,00 mm ² |
| AWG size | 20 - 12 |
| Contact type | Turned silver plated |
| IP degree of protection | IP20 without enclosure, IP65/IP66/IP68/IP69 with enclosure |

| Further technical details | |
|---|--|
| Characteristics according to EN 61984 | 16A 500V 6kV 3; 16A 400/690V 6kV 2 |
| Mating cycles | ≥ 500 |
| Insulation resistance | ≥ 10 GΩ |
| Contact resistance | ≤ 1 mΩ |
| Weight | 48,00 g |
| Operating temperature range (min, max) | -40 °C ... +125 °C |
| Conductors stripping length | 7 mm |
| UL 94 flammability rating | V-0 |
| Torque for main contact | M3: 0,5 Nm; 4,4 lb.in (Ph0 or 0,8 x 4 mm) |
| Tightening torque for PE connection | M4: 1,2 Nm, 10,6 lb.in (Ph2 or 1,0x5,5mm) |
| Tightening torque for fixing screws | M3: 0.5 Nm; 4.4 lb.in (Ph1 or 0.8x4 mm) |

| Material properties | |
|------------------------------|--|
| Main material | Polycarbonate (PC) |
| Other materials | Contacts: copper alloy |
| Colour | RAL 7032 grey |
| RoHs conformity | Compliant with exemption 6(c): copper alloy containing up to 4% lead by weight |
| China RoHs - EFUP | 50 |
| REACH SVHC substances | Yes Lead |

| Approvals / Standards | |
|---------------------------|---------------------------|
| Reference standard | EN 61984:2009-06 |
| Certifications | CSA, CQC, DNV-GL, BV, EAC |
| UL | ECBT2, PVVA2 |
| cUL | ECBT8, PVVA8 |

| General ordering information | |
|------------------------------|---------------|
| EAN13 code | 8015747032070 |
| eCl@ss 8.1 | 27440205 |
| ETIM 7.0 | EC000438 |

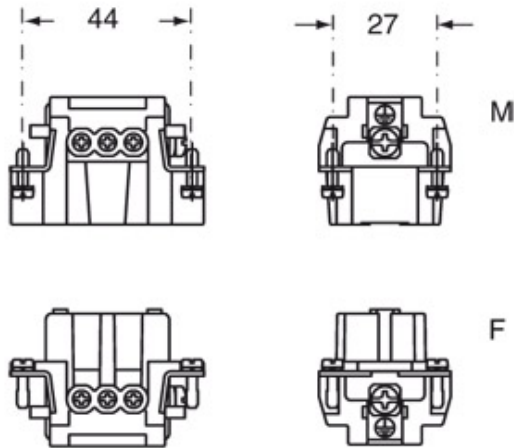
| Packaging Information | |
|----------------------------------|----------------------|
| Packaging length | 270,00 mm |
| Packaging height | 75,00 mm |
| Packaging width | 180,00 mm |
| Packaging weight | 3,23 kg |
| Packaging volume | 3,65 dm ³ |
| Packaging description | Carton box |
| Packaging quantity | 60 Pcs |
| Packaging EAN code | 8015747032087 |
| Sub-packaging length | 104,00 mm |
| Sub-packaging height | 36,00 mm |
| Sub-packaging width | 180,00 mm |
| Sub-packaging weight | 0,54 kg |
| Sub-packaging volume | 0,67 dm ³ |
| Sub-packaging description | Carton tray |
| Sub-packaging quantity | 10 Pcs |
| Sub-packaging EAN barcode | 8015747032094 |

Part number

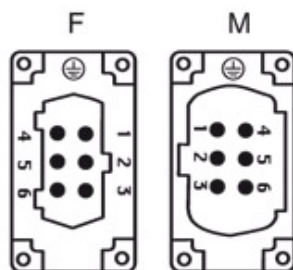
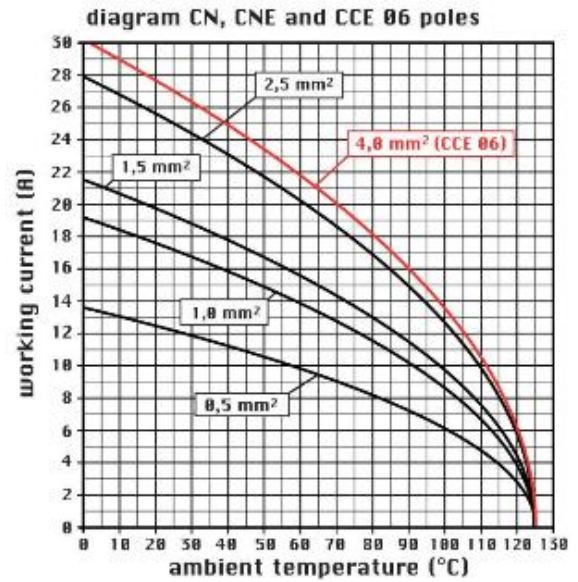
CNEF 06 T



Catalogue drawings



Catalogue drawings



Notes

Dimensions shown in mm are not binding and may be changed without notice.

CNE ... : for non-prepared conductors



CNE ... X : for conductors with bush terminal

California Proposition 65 Information



WARNING

This product can expose you to lead and its compounds, known to the State of California to cause cancer and/or reproductive toxicity. For more information go to www.P65Warnings.ca.gov.
