


Part number

# CNEMD 06 RY



Male insert, CNE RY series, screw terminal connection, 6 poles + PE, 16 A 500 V 6 kV 3, size "44.27", for applications up to 180°C, with plate

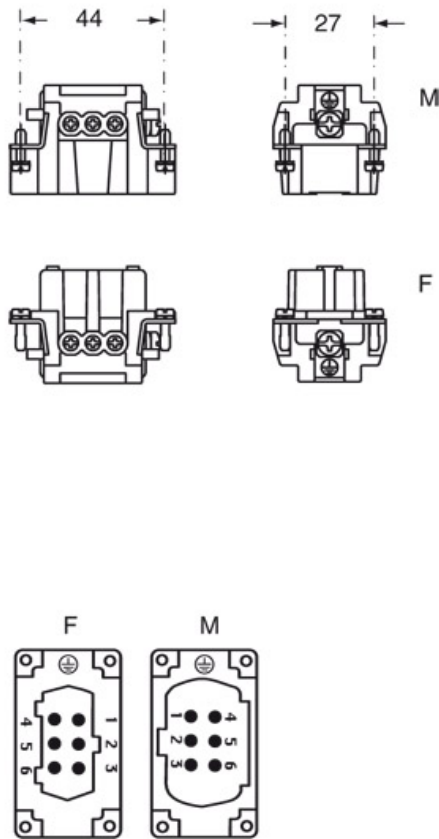
Product description		Material properties	
<b>Product type</b>	Insert	<b>Main material</b>	Polyphenylene sulfide (PPS)
<b>Series</b>	CNE RY	<b>Other materials</b>	Contacts: copper alloy
<b>Connection type</b>	Screw terminal connection		Compliant with exemption 6(c): copper alloy containing up to 4% lead by weight
<b>Gender</b>	Male	<b>RoHs conformity</b>	
<b>N. of poles</b>	6 poles + 	<b>China RoHs - EFUP</b>	50
<b>Size</b>	Size 44.27	<b>REACH SVHC substances</b>	Yes Lead
<b>Specification</b>	With plate For applications up to 180°C	<b>SCIP number</b>	1a9c93ff-0445-4a16-81e3-1609ac5274d6
Technical data		Approvals / Standards	
<b>Current</b>	16 A	<b>Certifications</b>	CSA, CQC, DNV, BV, EAC
<b>Voltage</b>	500 V	<b>UL</b>	ECBT2
<b>Rated impulse withstand voltage</b>	6 kV	<b>cUL</b>	ECBT8
<b>Pollution degree</b>	3	<b>General ordering information</b>	
<b>Rated voltage according to UL/CSA</b>	600 V	<b>EAN13 code</b>	8015747129510
<b>Wire cross-section</b>	0,50 mm <sup>2</sup> - 4,00 mm <sup>2</sup>	<b>ETIM 7.0</b>	EC000438
<b>AWG size</b>	20 - 12	<b>Packaging Information</b>	
<b>Contact type</b>	Turned gold plated	<b>Packaging length</b>	270,00 mm
<b>IP degree of protection</b>	IP20 without enclosure, IP65 with enclosure	<b>Packaging height</b>	75,00 mm
<b>Further technical details</b>		<b>Packaging width</b>	180,00 mm
<b>Characteristics according to EN 61984</b>	16A 500V 6kV 3; 16A 400/690V 6kV 2	<b>Packaging weight</b>	3,20 kg
<b>Mating cycles</b>	≥ 500	<b>Packaging volume</b>	3,65 dm <sup>3</sup>
<b>Insulation resistance</b>	≥ 10 GΩ	<b>Packaging description</b>	Carton box
<b>Contact resistance</b>	≤ 1 mΩ	<b>Packaging quantity</b>	60 Pcs
<b>Weight</b>	50,00 g	<b>Packaging EAN code</b>	8015747129565
<b>Operating temperature range (min, max)</b>	-40°C ... +180°C	<b>Sub-packaging length</b>	104,00 mm
<b>Conductors stripping length</b>	7 mm	<b>Sub-packaging height</b>	36,00 mm
<b>UL 94 flammability rating</b>	V-0	<b>Sub-packaging width</b>	180,00 mm
<b>Torque for main contact</b>	M3: 0.5 Nm; 4.4 lb.in (Ph0 or 0,8 x 4)	<b>Sub-packaging weight</b>	0,53 kg
<b>Tightening torque for PE connection</b>	M3: 0,5 Nm; 4,4 lb.in (Ph0 or 0,8 x 4)	<b>Sub-packaging volume</b>	0,67 dm <sup>3</sup>
<b>Tightening torque for fixing screws</b>	M3: 0.5 Nm; 4.4 lb.in (Ph0 or 0,8 x 4)	<b>Sub-packaging description</b>	Carton tray
		<b>Sub-packaging quantity</b>	10 Pcs
		<b>Sub-packaging EAN barcode</b>	8015747129572

Part number

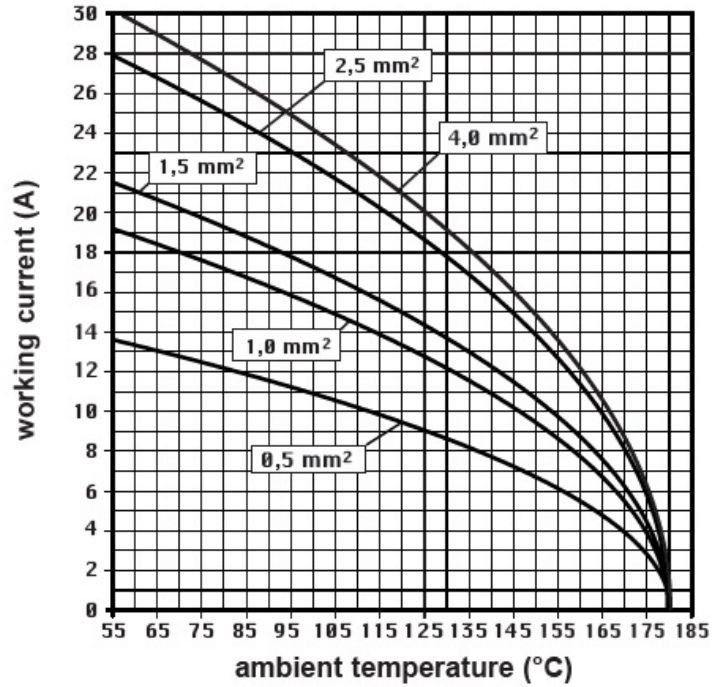
# CNEMD 06 RY



Catalogue drawings



Derating curves



## Notes

Dimensions shown in mm are not binding and may be changed without notice.

- CNE...RY: for non-prepared conductors
- inserts with plate for section conductors: 0.5 - 4 mm<sup>2</sup> - AWG 20 - 12
- conductors stripping length: 7 mm
- terminal screw torque: 0.5 Nm



**California Proposition 65 Information**



**WARNING**

This product can expose you to lead and its compounds, known to the State of California to cause cancer and/or reproductive toxicity. For more information go to [www.P65Warnings.ca.gov](http://www.P65Warnings.ca.gov).

---

**California Proposition 65 Information**



**WARNING**

This product can expose you to lead and its compounds, known to the State of California to cause cancer and/or reproductive toxicity. For more information go to [www.P65Warnings.ca.gov](http://www.P65Warnings.ca.gov).

---