


Part number

CNEMD 10 RY



Male insert, CNE RY series, screw terminal connection, 10 poles + PE, 16 A 500 V 6 kV 3, size "57.27", for applications up to 180°C, with plate

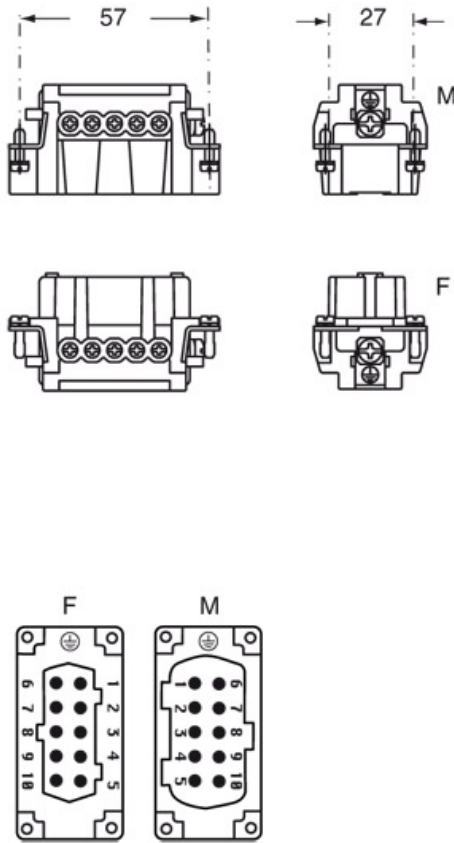
Product description		Material properties	
Product type	Insert	Main material	Polyphenylene sulfide (PPS)
Series	CNE RY	Other materials	Contacts: copper alloy
Connection type	Screw terminal connection		Compliant with exemption 6(c): copper alloy containing up to 4% lead by weight
Gender	Male	RoHs conformity	
N. of poles	10 poles + 	China RoHs - EFUP	50
Size	Size 57.27	REACH SVHC substances	Yes Lead
Specification	With plate For applications up to 180°C	SCIP number	1a9c93ff-0445-4a16-81e3-1609ac5274d6
Technical data		Approvals / Standards	
Current	16 A	Certifications	CSA, CQC, DNV, BV, EAC
Voltage	500 V	UL	ECBT2
Rated impulse withstand voltage	6 kV	cUL	ECBT8
Pollution degree	3	General ordering information	
Rated voltage according to UL/CSA	600 V	EAN13 code	8015747113434
Wire cross-section	0,50 mm ² - 4,00 mm ²	ETIM 7.0	EC000438
AWG size	20 - 12	Packaging Information	
Contact type	Turned gold plated	Packaging length	210,00 mm
IP degree of protection	IP20 without enclosure, IP65 with enclosure	Packaging height	75,00 mm
Further technical details		Packaging width	180,00 mm
Characteristics according to EN 61984	16A 500V 6kV 3; 16A 400/690V 6kV 2	Packaging volume	2,84 dm ³
Mating cycles	≥ 500	Packaging description	Carton box
Insulation resistance	≥ 10 GΩ	Packaging quantity	30 Pcs
Contact resistance	≤ 1 mΩ	Packaging EAN code	8015747113533
Weight	0,33 g	Sub-packaging length	67,00 mm
Operating temperature range (min, max)	-40°C ... +180°C	Sub-packaging height	36,00 mm
Conductors stripping length	7 mm	Sub-packaging width	180,00 mm
UL 94 flammability rating	V-0	Sub-packaging volume	0,43 dm ³
Torque for main contact	M3: 0.5 Nm; 4.4 lb.in (Ph0 or 0,8 x 4)	Sub-packaging description	Carton tray
Tightening torque for PE connection	M3: 0,5 Nm; 4,4 lb.in (Ph0 or 0,8 x 4)	Sub-packaging quantity	5 Pcs
Tightening torque for fixing screws	M3: 0.5 Nm; 4.4 lb.in (Ph0 or 0,8 x 4)	Sub-packaging EAN barcode	8015747144759

Part number

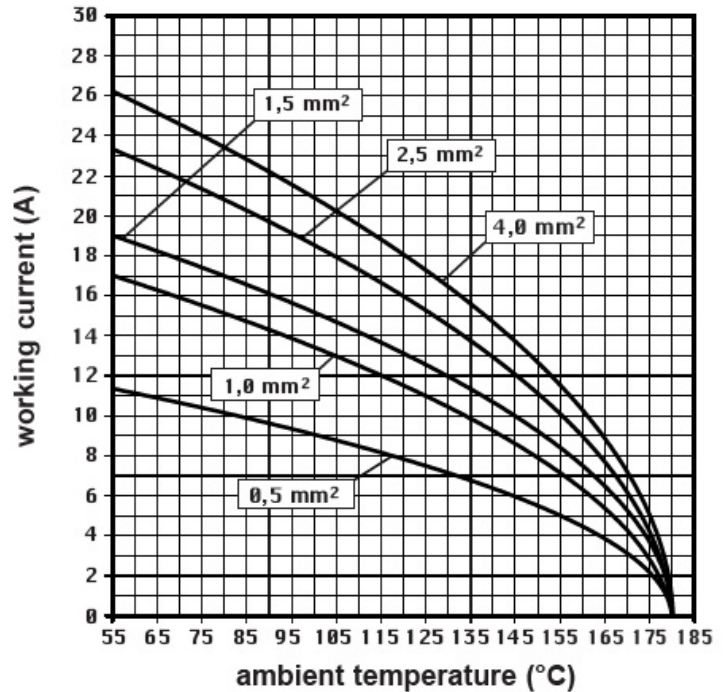
CNEMD 10 RY



Catalogue drawings



Derating curves



Notes

Dimensions shown in mm are not binding and may be changed without notice.

- CNE...RY: for non-prepared conductors
- inserts with plate for section conductors: 0.5 - 4 mm² - AWG 20 - 12
 - conductors stripping length: 7 mm
 - terminal screw torque: 0.5 Nm



California Proposition 65 Information



WARNING

This product can expose you to lead and its compounds, known to the State of California to cause cancer and/or reproductive toxicity. For more information go to www.P65Warnings.ca.gov.

California Proposition 65 Information



WARNING

This product can expose you to lead and its compounds, known to the State of California to cause cancer and/or reproductive toxicity. For more information go to www.P65Warnings.ca.gov.
