

Part number

CQ4M 02



Male insert, CQ series, crimp connection, 2 poles + PE, 40 A 400 V 6 kV 3, size "21.21", cable diameter up to 7,5 mm

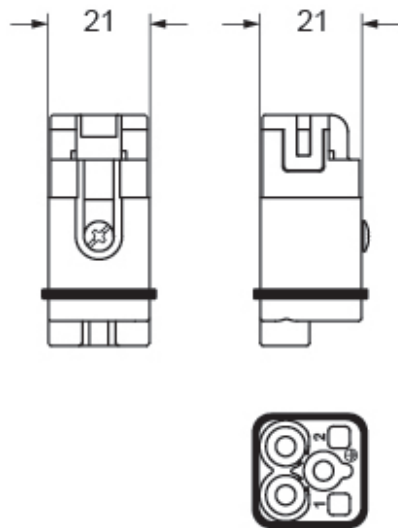
Product description		Material properties	
Product type	Insert	Main material	Polycarbonate (PC)
Series	CQ	Other materials	Gasket: NBR
Connection type	Crimp connection	Colour	RAL 7032 grey
Gender	Male	RoHs conformity	Compliant
N. of poles	2 poles + \oplus	China RoHs - EFUP	E
Size	Size "21.21"	REACH SVHC substances	No
Specification	Cable diameter up to 7,5 mm	Approvals / Standards	
Technical data		Certifications	DNV, BV, EAC
Current	40 A	UL	ECBT2, PVVA2
Voltage	400 V	cUL	ECBT8, PVVA8
Rated impulse withstand voltage	6 kV	General ordering information	
Pollution degree	3	EAN13 code	8015747258913
Rated voltage according to UL/CSA	600 V	eCl@ss 8.1	27440205
IP degree of protection	IP20 without enclosure, IP44/IP66/IP67/IP68/IP69 with enclosure	ETIM 7.0	EC000438
Further technical details		Packaging Information	
Characteristics according to EN 61984	40 A 400 V 6 kV 3	Packaging length	230,00 mm
Mating cycles	≥ 500	Packaging height	160,00 mm
Insulation resistance	$\geq 10 \text{ G}\Omega$	Packaging width	270,00 mm
Contact resistance	$\leq 0,3 \text{ m}\Omega$	Packaging weight	3,02 kg
Weight	14,00 g	Packaging volume	9,94 dm ³
Operating temperature range (min, max)	-40 °C ... +125 °C	Packaging description	Carton box
UL 94 flammability rating	V-0	Packaging quantity	200 Pcs
Tightening torque for fixing screws	M3: 0,5 Nm; 4,4 lb.in (Ph1 or 0,8 x 5,5 mm)	Packaging EAN code	8015747258920
		Sub-packaging length	197,00 mm
		Sub-packaging height	35,00 mm
		Sub-packaging width	124,00 mm
		Sub-packaging weight	0,60 kg
		Sub-packaging volume	0,85 dm ³
		Sub-packaging description	Carton tray
		Sub-packaging quantity	40 Pcs
		Sub-packaging EAN barcode	8015747258937

Part number

CQ4M 02



Catalogue drawings



Notes

Dimensions shown in mm are not binding and may be changed without notice.
