


Part number

CQF 04/2



Female insert, CQ series, crimp connection, 4 + 2 poles + PE, 40 A 400/690 V 6 kV 3 / 10 A 250 V 4 kV 3, size "32.13"

Product description

Product type	Insert
Series	CQ
Connection type	Crimp connection
Gender	Female
N. of poles	4 poles + 
Auxiliary poles	2 poles
Size	Size "32.13"

Technical data

Current	40 A
Voltage	400 - 690 V
Rated impulse withstand voltage	6 kV
Pollution degree	3
Rated voltage according to UL/CSA	600 V
IP degree of protection	IP20 without enclosure, IP66/IP67/IP69 with enclosure

Further technical details

Characteristics according to EN 61984	40A 400/690V 6kV 3 (aux: 10A 250V 4kV 3)
Mating cycles	≥ 500
Insulation resistance	≥ 10 GΩ
Weight	13,50 g
Operating temperature range (min, max)	-40 °C ... +125 °C
UL 94 flammability rating	V-0

Material properties

Main material	Polycarbonate (PC)
Colour	RAL 7032 grey
RoHs conformity	Compliant
China RoHs - EFUP	E
REACH SVHC substances	No
Approvals / Standards	
Reference standard	EN 61984:2009-06
Certifications	CSA, CQC, DNV, BV, EAC
UL	ECBT2, PVVA2
cUL	ECBT8, PVVA8

General ordering information

EAN13 code	8015747128964
eCl@ss 8.1	27440205
ETIM 7.0	EC000438

Packaging Information

Packaging length	245,00 mm
Packaging height	165,00 mm
Packaging width	215,00 mm
Packaging weight	0,88 kg
Packaging volume	8,69 dm ³
Packaging description	Carton box
Packaging quantity	50 Pcs
Packaging EAN code	8015747215374
Sub-packaging weight	0,02 kg
Sub-packaging description	Plastic bag
Sub-packaging quantity	1 Pcs
Sub-packaging EAN barcode	8015747043083

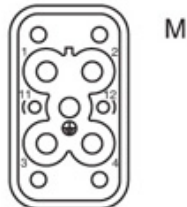
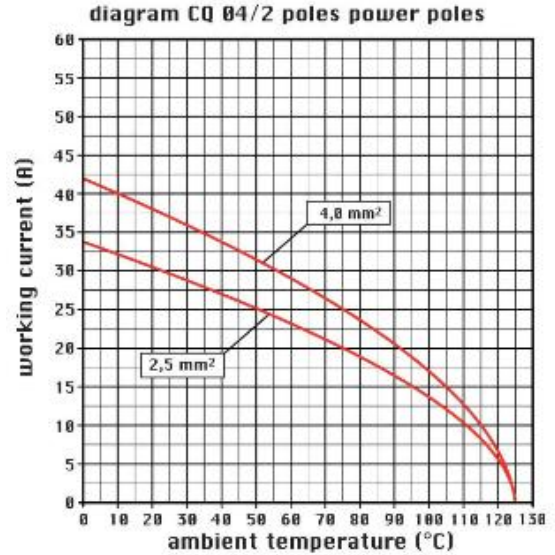
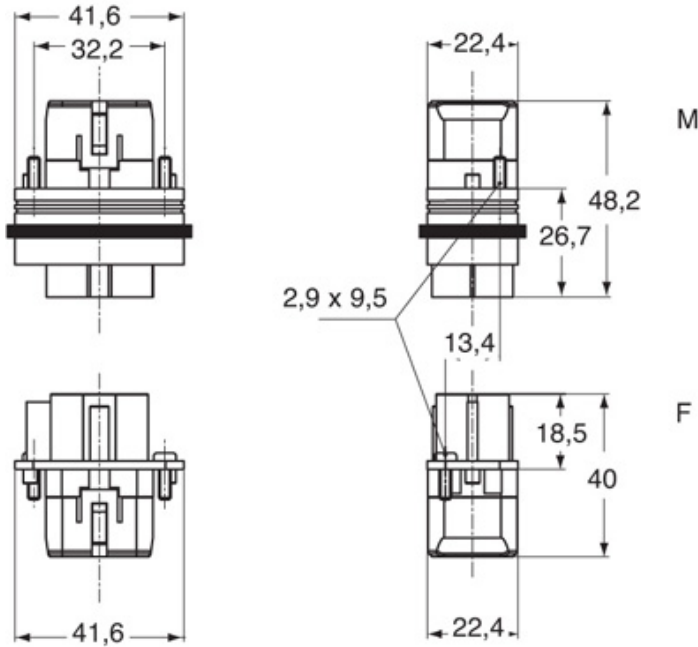
Part number

CQF 04/2



Catalogue drawings

Catalogue drawings



Notes

CQ 04/2 inserts:

- enclosures: size 32.13:
- CQ insulating type
- CQS EMC
- rated voltage according to UL/CSA: 600V- insulation resistance: >10 GOhm
- ambient temperature limit: -40°C ... +125°C
- are made of self-extinguishing thermoplastic resin UL 94 V0
- mechanical life:

Dimensions shown in mm are not binding and may be changed without notice.