

Part number  
**CQF 07**



Female insert, CQ series, crimp connection, 7 poles + PE, 10 A 400 V 6 kV 3, size "21.21"

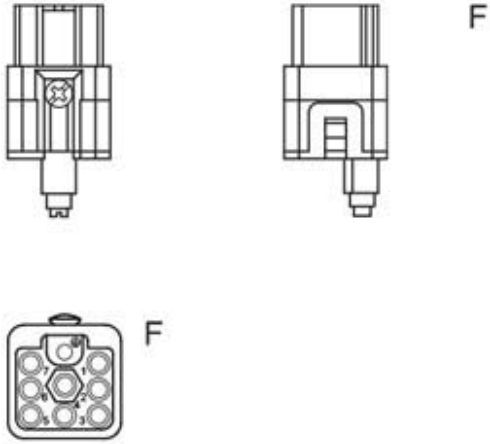
<b>Product description</b>		<b>Material properties</b>	
<b>Product type</b>	Insert	<b>Main material</b>	Polycarbonate (PC)
<b>Series</b>	CQ	<b>Colour</b>	RAL 7032 grey
<b>Connection type</b>	Crimp connection	<b>RoHs conformity</b>	Compliant with exemption 6(c): copper alloy containing up to 4% lead by weight
<b>Gender</b>	Female	<b>China RoHs - EFUP</b>	50
<b>N. of poles</b>	7 poles +	<b>REACH SVHC substances</b>	Yes Lead
<b>Size</b>	Size "21.21"	<b>SCIP number</b>	1a9c93ff-0445-4a16-81e3-1609ac5274d6
<b>Technical data</b>		<b>Approvals / Standards</b>	
<b>Current</b>	10 A	<b>Reference standard</b>	EN 61984:2009-06
<b>Voltage</b>	400 V	<b>Certifications</b>	DNV, BV, EAC
<b>Rated impulse withstand voltage</b>	6 kV	<b>UL</b>	ECBT2, PVVA2
<b>Pollution degree</b>	3	<b>cUL</b>	ECBT8, PVVA8
<b>Rated voltage according to UL/CSA</b>	600 V	<b>General ordering information</b>	
<b>IP degree of protection</b>	IP20 without enclosure, IP44/IP66/IP67/IP68/IP69 with enclosure	<b>EAN13 code</b>	8015747226776
<b>Further technical details</b>		<b>eCl@ss 8.1</b>	27440205
<b>Characteristics according to EN 61984</b>	10A 400V 6kV 3	<b>ETIM 7.0</b>	ECC00438
<b>Mating cycles</b>	≥ 500	<b>Packaging Information</b>	
<b>Insulation resistance</b>	≥ 10 GΩ	<b>Packaging length</b>	220,00 mm
<b>Contact resistance</b>	≤ 3 mΩ	<b>Packaging height</b>	130,00 mm
<b>Weight</b>	14,00 g	<b>Packaging width</b>	240,00 mm
<b>Operating temperature range (min, max)</b>	-40 °C ... +125 °C	<b>Packaging weight</b>	3,23 kg
<b>UL 94 flammability rating</b>	V-0	<b>Packaging volume</b>	6,86 dm <sup>3</sup>
<b>Tightening torque for PE connection</b>	M3: 0,5 Nm; 4,4 lb.in (0,5 x 3 mm)	<b>Packaging description</b>	Carton box
<b>Tightening torque for fixing screws</b>	M3: 0,5 Nm; 4,4 lb.in (Ph1 or 0,8 x 5,5 mm)	<b>Packaging quantity</b>	200 Pcs
		<b>Packaging EAN code</b>	8015747226806
		<b>Sub-packaging length</b>	197,00 mm
		<b>Sub-packaging height</b>	35,00 mm
		<b>Sub-packaging width</b>	113,00 mm
		<b>Sub-packaging weight</b>	0,65 kg
		<b>Sub-packaging volume</b>	0,78 dm <sup>3</sup>
		<b>Sub-packaging description</b>	Carton tray
		<b>Sub-packaging quantity</b>	40 Pcs
		<b>Sub-packaging EAN barcode</b>	8015747226813

Part number

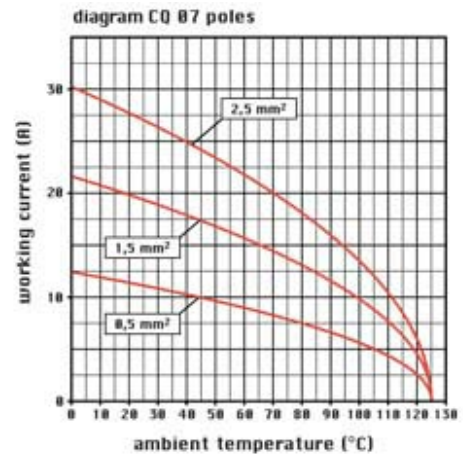
# CQF 07



## Catalogue drawings



## Derating curves



## Notes

Dimensions shown in mm are not binding and may be changed without notice.