

Part number

# CQM 07



Male insert, CQ series, crimp connection, 7 poles + PE, 10 A 400 V 6 kV 3, size "21.21"

#### Product description

<b>Product type</b>	Insert
<b>Series</b>	CQ
<b>Connection type</b>	Crimp connection
<b>Gender</b>	Male
<b>N. of poles</b>	7 poles +
<b>Size</b>	Size "21.21"

#### Technical data

<b>Current</b>	10 A
<b>Voltage</b>	400 V
<b>Rated impulse withstand voltage</b>	6 kV
<b>Pollution degree</b>	3
<b>Rated voltage according to UL/CSA</b>	600 V
<b>IP degree of protection</b>	IP20 without enclosure, IP44/IP66/IP67/IP68/IP69 with enclosure

#### Further technical details

<b>Characteristics according to EN 61984</b>	10A 400V 6kV 3
<b>Mating cycles</b>	≥ 500
<b>Insulation resistance</b>	≥ 10 GΩ
<b>Contact resistance</b>	≤ 3 mΩ
<b>Weight</b>	12,70 g
<b>Operating temperature range (min, max)</b>	-40 °C ... +125 °C
<b>UL 94 flammability rating</b>	V-0
<b>Tightening torque for PE connection</b>	M3: 0,5 Nm; 4,4 lb.in (0,5 x 3 mm)
<b>Tightening torque for fixing screws</b>	M3: 0,5 Nm; 4,4 lb.in (Ph1 or 0,8 x 5,5 mm)

#### Material properties

<b>Main material</b>	Polycarbonate (PC)
<b>Other materials</b>	Gasket: NBR
<b>Colour</b>	RAL 7032 grey
<b>RoHs conformity</b>	Compliant with exemption 6(c): copper alloy containing up to 4% lead by weight
<b>China RoHs - EFUP</b>	50
<b>REACH SVHC substances</b>	Yes Lead
<b>SCIP number</b>	1a9c93ff-0445-4a16-81e3-1609ac5274d6

#### Approvals / Standards

<b>Reference standard</b>	EN 61984:2009-06
<b>Certifications</b>	DNV, BV, EAC
<b>UL</b>	ECBT2, PVVA2
<b>cUL</b>	ECBT8, PVVA8

#### General ordering information

<b>EAN13 code</b>	8015747226769
<b>eCl@ss 8.1</b>	27440205
<b>ETIM 7.0</b>	EC000438

#### Packaging Information

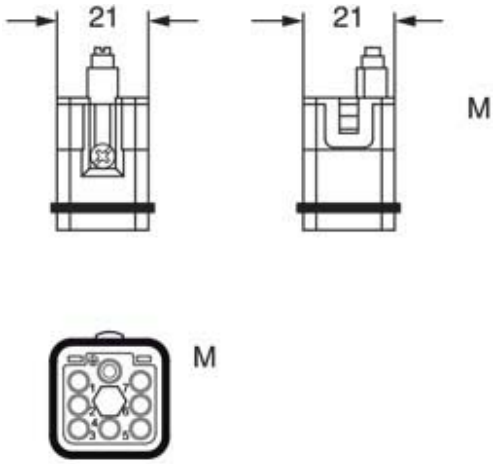
<b>Packaging length</b>	245,00 mm
<b>Packaging height</b>	165,00 mm
<b>Packaging width</b>	215,00 mm
<b>Packaging weight</b>	2,97 kg
<b>Packaging volume</b>	8,69 dm <sup>3</sup>
<b>Packaging description</b>	Carton box
<b>Packaging quantity</b>	200 Pcs
<b>Packaging EAN code</b>	8015747226820
<b>Sub-packaging length</b>	197,00 mm
<b>Sub-packaging height</b>	35,00 mm
<b>Sub-packaging width</b>	124,00 mm
<b>Sub-packaging weight</b>	0,59 kg
<b>Sub-packaging volume</b>	0,85 dm <sup>3</sup>
<b>Sub-packaging description</b>	Carton tray
<b>Sub-packaging quantity</b>	40 Pcs
<b>Sub-packaging EAN barcode</b>	8015747226837

Part number

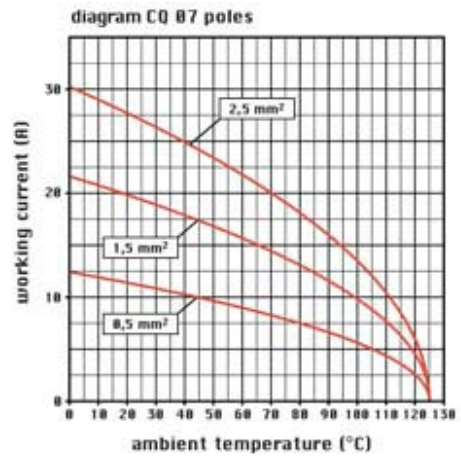
# CQM 07



## Catalogue drawings



## Derating curves



## Notes

Dimensions shown in mm are not binding and may be changed without notice.