

Part number

CQM 08E



Male insert, CQ series, crimp connection, 8 poles + PE, 16 A 500 V 6 kV 3, size "32.13", with PE plate

Product description

Product type	Insert
Series	CQ
Connection type	Crimp connection
Gender	Male
N. of poles	8 poles + \oplus
Size	Size "32.13"
Specification	With PE plate

Technical data

Current	16 A
Voltage	500 V
Rated impulse withstand voltage	6 kV
Pollution degree	3
Rated voltage according to UL/CSA	600 V
Wire cross-section	0,14 mm ² - 4,00 mm ²
AWG size	26 - 12
IP degree of protection	IP20 without enclosure, IP66/IP67/IP69 with enclosure

Further technical details

Characteristics according to EN 61984	16A 500V 6kV 3; 16A 400/690V 6kV 2
Mating cycles	≥ 500
Insulation resistance	≥ 10 GΩ
Contact resistance	≤ 1 mΩ
Weight	16,00 g
Operating temperature range (min, max)	-40 °C ... +125 °C
UL 94 flammability rating	V-0

Material properties

Main material	Polycarbonate (PC)
Other materials	Gasket: NBR
Colour	RAL 7032 grey
RoHs conformity	Compliant
China RoHs - EFUP	E
REACH SVHC substances	No

Approvals / Standards

Certifications	DNV
-----------------------	-----

General ordering information

EAN13 code	8015747284554
eCl@ss 8.1	27440205
ETIM 7.0	EC000438

Packaging Information

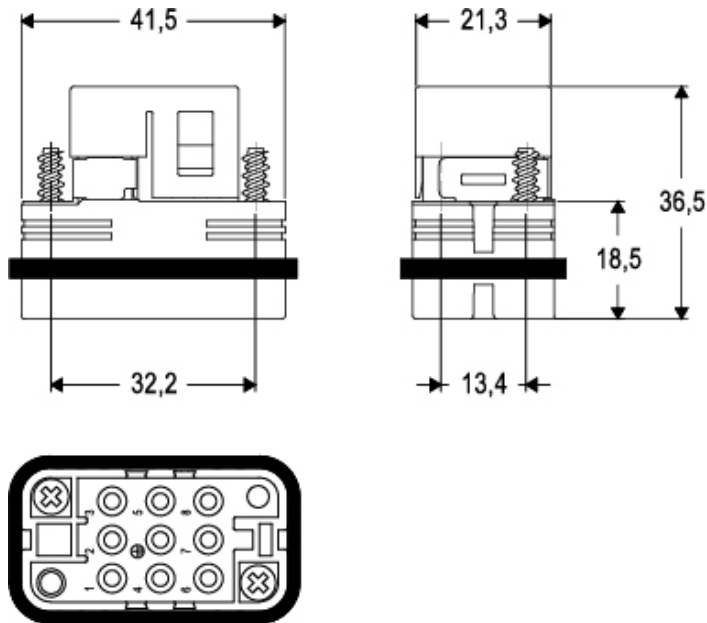
Packaging length	245,00 mm
Packaging height	165,00 mm
Packaging width	215,00 mm
Packaging weight	1,11 kg
Packaging volume	8,69 dm ³
Packaging description	Carton box
Packaging quantity	50 Pcs
Packaging EAN code	8015747284592
Sub-packaging weight	0,02 kg
Sub-packaging description	Plastic bag
Sub-packaging quantity	1 Pcs
Sub-packaging EAN barcode	8015747140065

Part number

CQM 08E

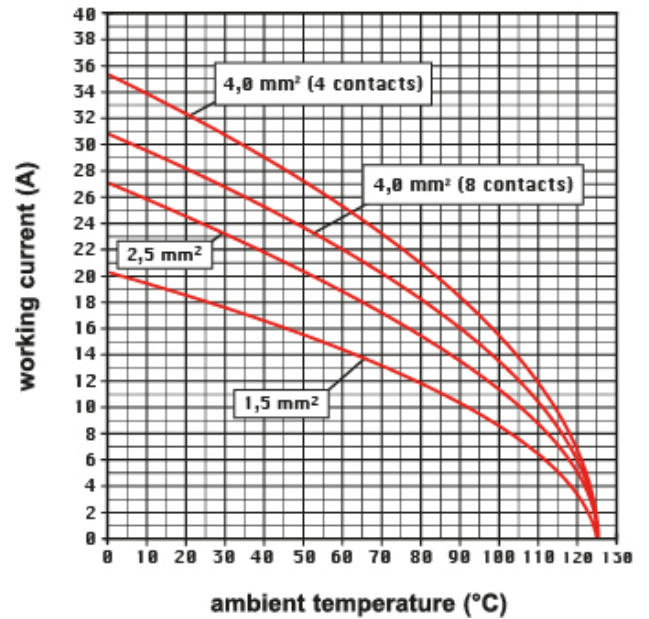


Catalogue drawings



Derating curves

CQ..E 8 poles connector inserts
Maximum current load derating diagram



Notes

Dimensions shown in mm are not binding and may be changed without notice.